

SCREW COVER PULL BOX, TYPE 4X

INDUSTRY STANDARDS

UL 50, 50E Listed; Type 3, 3R, 4, 4X, 12; File No. E27525; cUL Listed per CSA C22.2 No. 40 and No. 94.2; Type 3, 3R, 4, 4X, 12

IEC 60529, IP66

APPLICATION

Use this enclosure in commercial and industrial applications that require a junction box or pull box in a corrosive environment.

FEATURES

- Seams continuously welded and ground smooth
- Oil-resistant gasket and adhesive
- Captivated stainless steel cover screw threaded into sealed walls

SPECIFICATIONS

- Type 304 stainless steel covers and bodies
- 10 to 16 gauge stainless steel

FINISH

No. 2B finish

ACCESSORIES

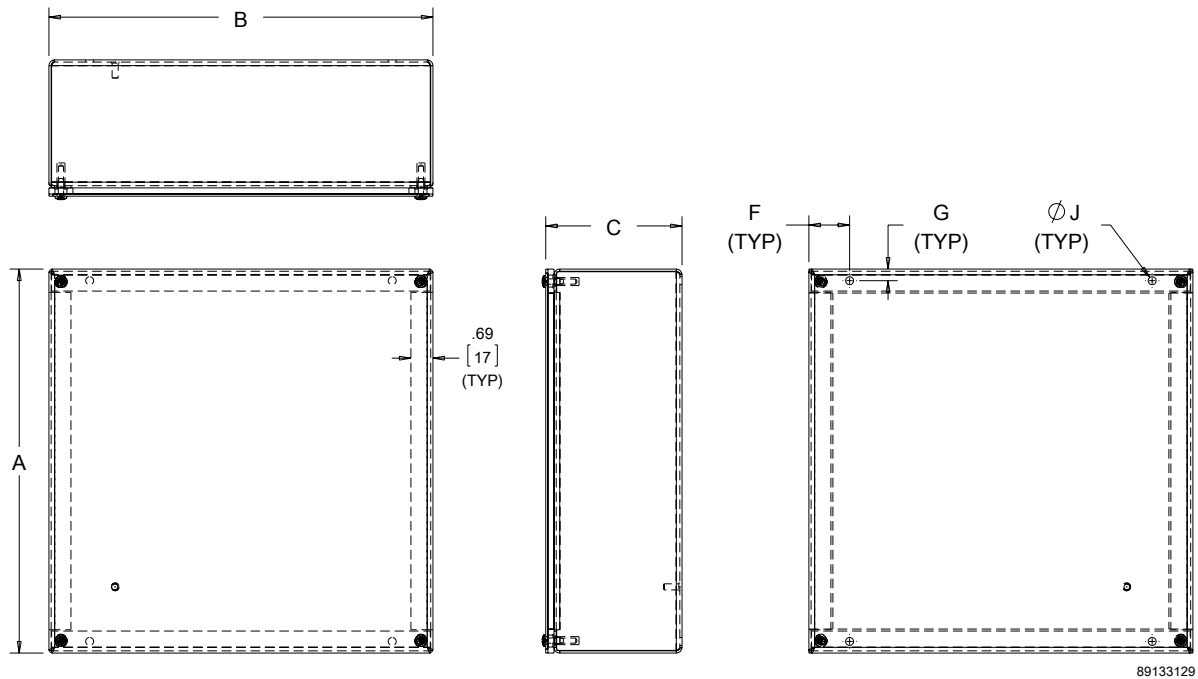
Handle - STSCHDL

Mounting Bracket Kits - LMFKSS for enclosure sizes from 6x6 through 12x12; CMFKSS for enclosure sizes from 16x12 through 48x48

BULLETIN: A90S4

Standard Product

Catalog Number	AxBxC in.	AxBxC mm	No. of Cover Screws	Cover Gauge	Body Gauge	F (in.)	F (mm)	G (in.)	G (mm)	J (in.)	J (mm)
ASE6X6X4SSNK	6.00 x 6.00 x 4.00	152 x 152 x 102	4	16	16	1.27	32	.36	9	.25	6
ASE6X6X6SSNK	6.00 x 6.00 x 6.00	152 x 152 x 152	4	16	16	1.27	32	.36	9	.25	6
ASE8X6X4SSNK	8.00 x 6.00 x 4.00	203 x 153 x 102	4	16	16	1.27	32	.36	9	.25	6
ASE8X8X4SSNK	8.00 x 8.00 x 4.00	203 x 203 x 102	4	16	16	1.27	32	.36	9	.25	6
ASE8X8X6SSNK	8.00 x 8.00 x 6.00	203 x 203 x 152	4	14	16	1.27	32	.36	9	.25	6
ASE10X8X4SSNK	10.00 x 8.00 x 4.00	254 x 203 x 102	4	14	14	1.27	32	.36	9	.25	6
ASE10X8X6SSNK	10.00 x 8.00 x 6.00	254 x 203 x 152	4	14	14	1.27	32	.36	9	.25	6
ASE10X10X4SSNK	10.00 x 10.00 x 4.00	254 x 254 x 102	4	12	14	1.27	32	.36	9	.25	6
ASE10X10X6SSNK	10.00 x 10.00 x 6.00	254 x 254 x 152	4	12	14	1.27	32	.36	9	.25	6
ASE12X8X4SSNK	12.00 x 8.00 x 4.00	305 x 203 x 102	4	12	14	1.27	32	.36	9	.25	6
ASE12X10X4SSNK	12.00 x 10.00 x 4.00	305 x 254 x 102	4	12	14	1.27	32	.36	9	.25	6
ASE12X12X4SSNK	12.00 x 12.00 x 4.00	305 x 305 x 102	8	12	14	1.27	32	.36	9	.25	6
ASE12X12X6SSNK	12.00 x 12.00 x 6.00	305 x 305 x 152	8	12	14	1.27	32	.36	9	.25	6
ASE12X12X8SSNK	12.00 x 12.00 x 8.00	305 x 305 x 203	8	12	14	1.27	32	.36	9	.25	6
ASE16X12X4SSNK	16.00 x 12.00 x 4.00	406 x 305 x 102	8	12	14	.75	19	.75	19	.50	13
ASE16X16X6SSNK	16.00 x 16.00 x 6.00	406 x 406 x 152	8	14	14	.75	19	.75	19	.50	13
ASE18X12X4SSNK	18.00 x 12.00 x 4.00	457 x 305 x 102	8	12	14	.75	19	.75	19	.50	13
ASE18X12X6SSNK	18.00 x 12.00 x 6.00	457 x 305 x 152	8	12	14	.75	19	.75	19	.50	13
ASE18X18X4SSNK	18.00 x 18.00 x 4.00	457 x 457 x 102	8	14	14	.75	19	.75	19	.50	13
ASE18X18X6SSNK	18.00 x 18.00 x 6.00	457 x 457 x 152	8	14	14	.75	19	.75	19	.50	13
ASE18X18X8SSNK	18.00 x 18.00 x 8.00	457 x 457 x 203	8	14	14	.75	19	.75	19	.50	13
ASE24X24X6SSNK	24.00 x 24.00 x 6.00	610 x 610 x 152	10	12	14	.75	19	.75	19	.50	13
ASE24X24X8SSNK	24.00 x 24.00 x 8.00	610 x 610 x 203	10	12	14	.75	19	.75	19	.50	13
ASE24X24X10SSNK	24.00 x 24.00 x 10.00	610 x 610 x 254	10	12	14	.75	19	.75	19	.50	13
ASE24X24X12SSNK	24.00 x 24.00 x 12.00	610 x 610 x 305	10	12	14	.75	19	.75	19	.50	13
ASE30X30X6SSNK	30.00 x 30.00 x 6.00	762 x 762 x 152	12	14	14	.75	19	.75	19	.50	13
ASE30X30X8SSNK	30.00 x 30.00 x 8.00	762 x 762 x 203	12	14	14	.75	19	.75	19	.50	13
ASE30X30X10SSNK	30.00 x 30.00 x 10.00	762 x 762 x 254	12	14	14	.75	19	.75	19	.50	13
ASE30X30X12SSNK	30.00 x 30.00 x 12.00	762 x 762 x 305	12	14	14	.75	19	.75	19	.50	13
ASE36X36X6SSNK	36.00 x 36.00 x 6.00	914 x 914 x 152	16	14	14	.75	19	.75	19	.50	13
ASE36X36X8SSNK	36.00 x 36.00 x 8.00	914 x 914 x 203	16	14	14	.75	19	.75	19	.50	13
ASE36X36X12SSNK	36.00 x 36.00 x 12.00	914 x 914 x 305	16	14	14	.75	19	.75	19	.50	13
ASE48X48X12SSNK	48.00 x 48.00 x 12.00	1219 x 1219 x 305	20	10	14	.75	19	.75	19	.50	13

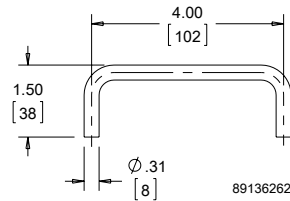


HANDLE KIT



Handles are stainless steel for mounting on enclosure sides. Kit includes two handles and all mounting hardware.

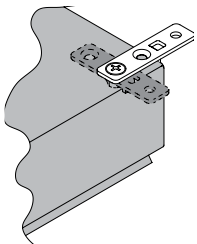
BULLETIN: F24



Standard Product

Catalog Number	Description
STSCHDL	Stainless steel handles

MOUNTING BRACKET KIT, PLATED AND 316



Kit is field-installable on all solid-back-body enclosures. Hardware included. Four brackets per kit.

BULLETIN: A54SY, A54Y

Catalog Number	Description
LMFK	Plated steel mounting-bracket kit
LMFKSS	Type 316L stainless steel mounting-bracket kit

Use of LMFKSS recommended to maintain Type 4X rating.

MOUNTING BRACKET KIT, 304



Type 304 stainless steel brackets are field-installable. Brackets maintain Type 4X rating. All hardware is included. Four brackets per kit.

Top brackets must be mounted to the sides of enclosure.

BULLETIN: A80

Catalog Number	Description
CMFKSS	Type 304 stainless steel mounting bracket kit