

**SCREW COVER WIRING TROUGH, NEMA TYPE 4X**

**INDUSTRY STANDARDS**

UL 870, 50E Listed; Type 3R, 4, 4X, 12; File No. E27524; cUL Listed per CSA C22.2 No. 26 &amp; No. 94.2; Type 3R, 4, 4X, 12

IEC 60529, IP66

**APPLICATION**

This wiring trough meets basic functionality requirements for applications in which frequent access is not needed. Provides protection for use in corrosive or dirty indoor and outdoor environments.

**FEATURES**

- Seams continuously welded and ground smooth
- Oil-resistant gasket and adhesive
- Captivated stainless steel cover screw threaded into sealed walls
- No holes or knockouts

**SPECIFICATIONS**

- Type 304 stainless steel covers and bodies
- 12 to 16 gauge stainless steel

**FINISH**

No. 2B finish

**ACCESSORIES**

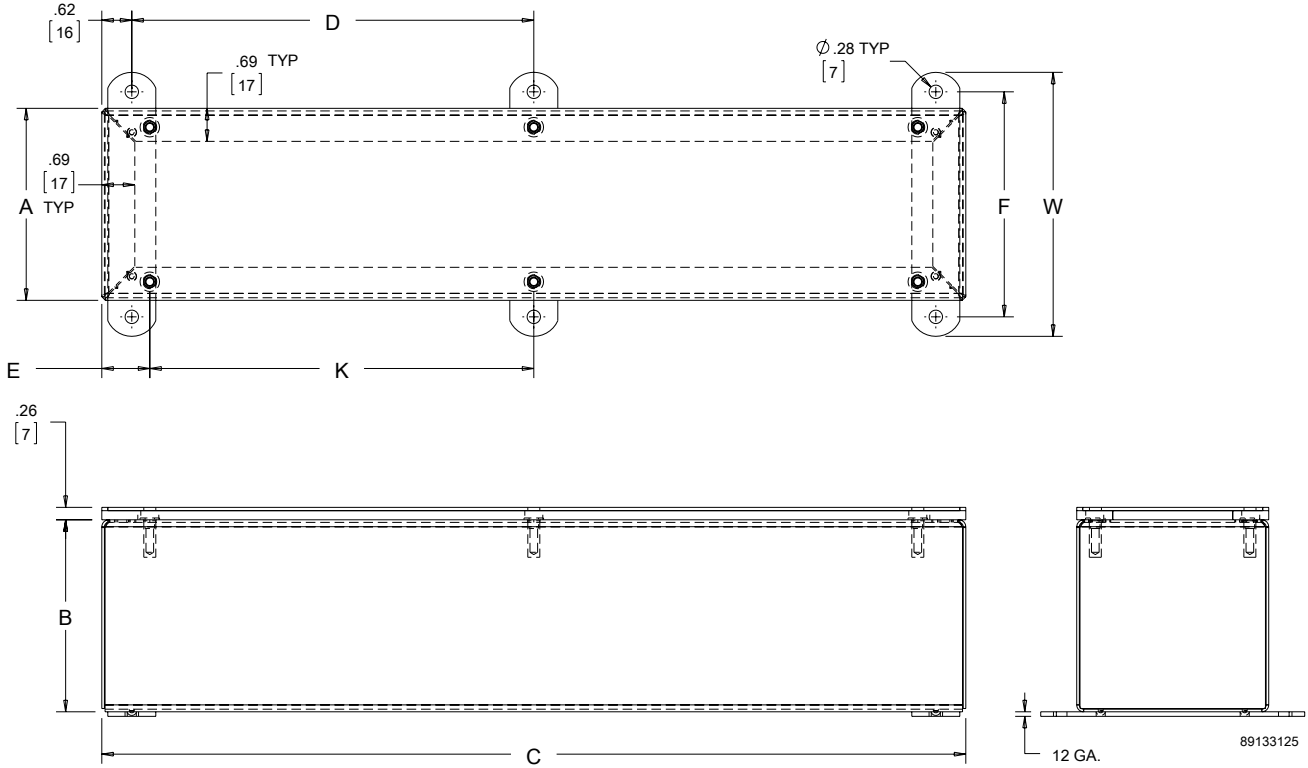
Handle - STSCHDL

**BULLETIN: F24**

## Standard Product

Catalog Number	AxBxC in./mm	No. of Cover Screws	Cover Gauge	Body Gauge	D in./mm	E in./mm	F in./mm	K in./mm	W in./mm
F4412SCSS	4.00 x 4.00 x 12.00	4	12	16	10.75	.38	4.69	11.25	5.50
	102 x 102 x 305				273	10	119	286	140
F4418SCSS	4.00 x 4.00 x 18.00	6	14	16	16.75	1.00	4.69	8.00	5.50
	102 x 102 x 457				425	25	119	203	140
F4424SCSS	4.00 x 4.00 x 24.00	6	12	16	22.75	.75	4.69	11.25	5.50
	102 x 102 x 610				578	19	119	286	140
F6612SCSS	6.00 x 6.00 x 12.00	4	12	16	10.75	.38	6.69	11.25	7.50
	153 x 153 x 305				273	10	170	286	191
F6624SCSS	6.00 x 6.00 x 24.00	6	12	16	22.75	.75	6.69	11.25	7.50
	153 x 153 x 610				578	19	170	286	191
F6636SCSS	6.00 x 6.00 x 36.00	8	14	16	34.75	1.12	6.69	11.25	7.50
	153 x 153 x 915				823	29	170	286	191
F6648SCSS	6.00 x 6.00 x 48.00	10	14	16	46.75	1.50	6.69	11.25	7.50
	153 x 153 x 1220				1187	38	170	286	191
F8824SCSS	8.00 x 8.00 x 24.00	6	12	14	22.75	.75	8.69	11.25	9.50
	204 x 204 x 610				578	19	221	286	241
F8836SCSS	8.00 x 8.00 x 36.00	8	14	14	34.75	1.12	8.69	11.25	9.50
	204 x 204 x 915				823	29	221	286	241
F8848SCSS	8.00 x 8.00 x 48.00	10	14	14	46.75	1.50	8.69	11.25	9.50
	204 x 204 x 1220				1187	38	221	286	241
F121224SCSS	12.00 x 12.00 x 24.00	6	12	14	22.75	.75	12.69	11.25	13.50
	305 x 305 x 610				578	19	322	286	343
F121236SCSS	12.00 x 12.00 x 36.00	8	14	14	34.75	1.12	12.69	11.25	13.50
	305 x 305 x 915				823	29	322	286	343
F121248SCSS	12.00 x 12.00 x 48.00	10	14	14	46.75	1.50	12.69	11.25	13.50
	305 x 305 x 1220				1187	38	322	286	343
F121260SCSS	12.00 x 12.00 x 60.00	12	12	14	29.38	1.88	12.69	11.25	13.50
	305 x 305 x 1524				746	48	322	286	343
F121272SCSS	12.00 x 12.00 x 72.00	14	12	14	35.38	1.88	12.69	11.25	13.50
	305 x 305 x 1829				899	48	322	286	343

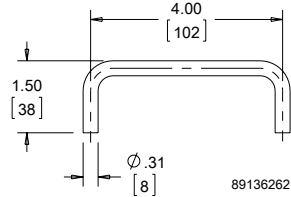
Omit center mounting foot if C is less than 60 in. (1524 mm).



**HANDLE KIT**



Handles are stainless steel for mounting on enclosure sides. Kit includes two handles and all mounting hardware.  
**BULLETIN: F24**



**Standard Product**

Catalog Number	Description
STSCHDL	Stainless steel handles