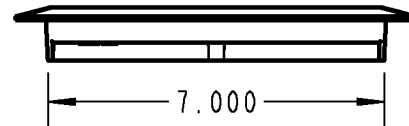
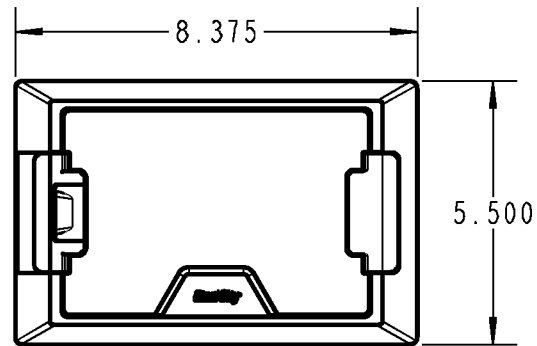
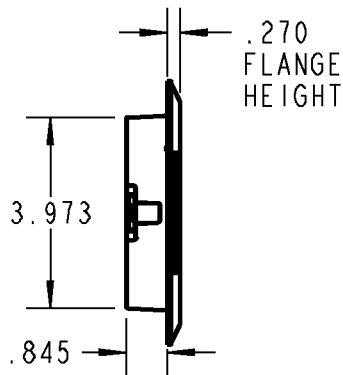


## 664-CST-M SERIES METALLIC COVERS

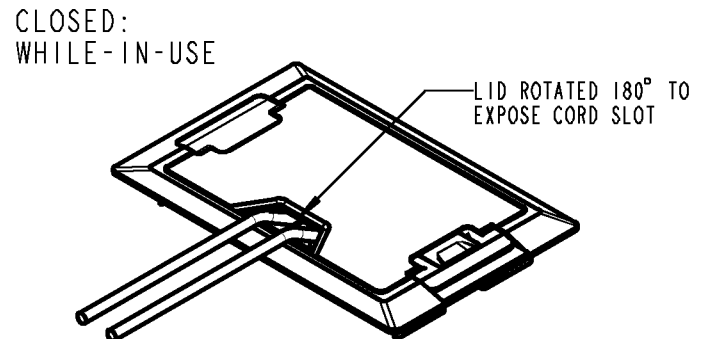
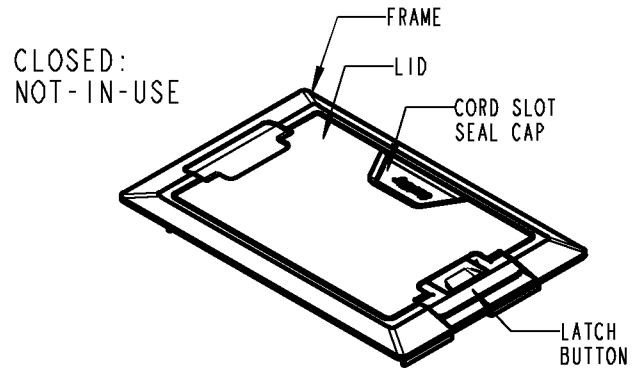


### CATALOG NUMBERS:

664-CST-M-ALM  
664-CST-M-BRS  
664-CST-M-BLK

### FEATURES:

- METALLIC FLOOR BOX COVER DESIGNED FOR USE WITH 664 SERIES CONCEALED FLOOR BOXES.
- MADE FROM SOLID BRASS AND ALUMINUM.
- MOPTIGHT WITH FACTORY INSTALLED GASKETS. MEETS UL SCRUB-WATER REQUIREMENTS FOR TILE, CARPET AND WOOD FLOORS.
- LID CAN BE ROTATED TO ALLOW FOR OPEN ACCESS OF CORD SLOT. LID IS ATTACHED WITH A 6-INCH INSULATED WIRE LANYARD.
- 2,000-LB MAXIMUM LOAD CAPACITY.



|   |  |  |           |          |                   |
|---|--|--|-----------|----------|-------------------|
| <b>GENERAL NOTES</b>  |  | <b>Thomas &amp; Betts</b><br>A Member of the ABB Group |           |          |                   |
| 1. ALL DIMENSIONS ARE FOR REFERENCE ONLY.<br>2. DIMENSIONS IN BRACKETS [ ] ARE IN METRIC UNITS. |  |  |           |          |                   |
| <b>REVISIONS</b>  |  | <b>DESCRIPTION:</b>                                    |           |          |                   |
| - SEE ERN (****) FOR APPROVAL SIGNATURES & RELEASE DATE. PROJECT NO: ****                       |  | <b>664-CST-M SERIES METALLIC CONCEALED SERVICE TOP</b> |           |          |                   |
|   |  | ORIGINAL PROJECT NO / ( ERN NO )                       | SHEET NO: | REV. NO: | DRAWING NO:       |
|   |  | 003D000605 / ( 2016749 )                               | 1 OF 1    | -        | <b>WSD-001537</b> |