

FLL LED FLOODLIGHT

Cat.#	
Job	Type



HUBBELL
Outdoor Lighting

Approvals

SPECIFICATIONS

Intended Use:

Large LED flood with wide beam distribution for lighting applications such as safety/security, facade, area, or signs; operating temperature of -35°C to 40°C

Construction:

- Rugged die-cast aluminum housing with dark bronze matte textured
- Tempered glass lens protects LEDs and allows for cleaning/debris removal
- Vented housing isolates LED module from driver, maximizing product life and performance
- Visor, louver and vandal accessories available

LED:

- 28 high powered LEDs deliver 9557 lumens, 5000K CCT, 70 CRI, NEMA 6x6
- 140L mid powered LEDs deliver over 14,600 lumens 4000K or 5000K CCT, 80 CRI, NEMA 7x7

Electrical:

- 120-277V operation, 50/60Hz
- Single driver RoHS and IP66

Installation:

- Heavy duty steel yoke with adjustable stainless steel hardware and 3' SE00W cord, mounting holes for one center - 3/4" bolt or two side - 3/8" bolts
- Knuckle mount for 2 3/8" OD tenons available in 140L versions
- Visor, louver and vandal shield accessories available

Listings:

- IP65 fixture
- Listed to UL1598 for use in wet locations
- EPA = 1.0ft²

Warranty:

For more information visit:
<http://www.hubbelloutdoor.com/resources/warranty/>

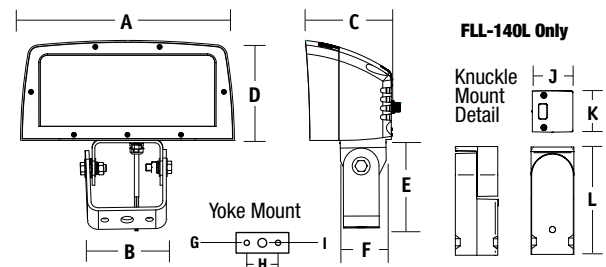
PRODUCT IMAGE(S)



FLL-28L
with Yoke

FLL-140L
with Knuckle

DIMENSIONS



A	B	C	D	E	F	Weight
15"	5.5"	6.49"	7.0"	6.24"	3.3"	20.6 lbs.
378 mm	140 mm	165 mm	177 mm	158 mm	84 mm	9.3 kg

G	H	I	J	K	L
17/32"	3-1/8"	7/8"	3"	2.9"	7.57"
14mm	79mm	22mm	77mm	75mm	192mm

CERTIFICATIONS/LISTINGS



SHIPPING INFORMATION

Catalog Number	G.W(kg)/CTN	Carton Dimensions		
		Length Inch (cm)	Width Inch (cm)	Height Inch (cm)
FLL-28L/FLL-140L (Single carton 1 pc.)	25 (12.3)	17.72"	13.0"	10.00"

Carton dimensions for shipping purposes only

ORDERING INFORMATION

Catalog Number	Mount	Max Candle Power	Beam Pattern	Wattage	# Drivers/Current	Voltage	Color Temperature/CRI	Lumens	LPW	Weight lbs. (kg)
FLL-28L	Yoke	6935	Wide	95w	1@1050mA	120-277V	5000K/70	9557	100.6	20 (9.0)
FLL-28L4K	Yoke	6805	Wide	95w	1@1050mA	120-277V	4000K/70	8992	94.5	20 (9.0)
FLL-Y-140L4K-U	Yoke	5627	Wide	150w	1@158mA	120-277V	4000K/80	14665	98	20 (9.0)
FLL-Y-140L5K-U	Yoke	5731	Wide	150w	1@158mA	120-277V	5000K/80	14764	98.4	20 (9.0)
FLL-K-140L4K-U	Knuckle	5627	Wide	150w	1@158mA	120-277V	4000K/80	14665	98	20 (9.0)
FLL-K-140L5K-U	Knuckle	5731	Wide	150w	1@158mA	120-277V	5000K/80	14764	98.4	20 (9.0)



HUBBELL
Outdoor Lighting

Hubbell Outdoor Lighting • 701 Millennium Boulevard • Greenville, SC 29607 • Phone: 864-678-1000

Due to our continued efforts to improve our products, product specifications are subject to change without notice.

© 2016 HUBBELL OUTDOOR LIGHTING. All Rights Reserved • For more information visit our website: www.hubbelloutdoor.com • Printed in USA

FLL-SPEC 11/16

ACCESSORIES & REPLACEMENT PARTS - Order Separately

Catalog Number	Description
FLL-VISOR-DB	Top visor (Tap holes in lens frame for field installation)
93053186	96w, 120-277V Dimming driver, 1050mA (1 Qty)
FLL-LOUVER-BL	Black adjustable louver
ARF-SPC	Polycarbonate vandal shield
4024C	Steel slipfitter for 2" pipe, 2 3/8" OD yoke mount, bronze finish
4040	Heavy-duty steel wall/pole bracket; bronze Lektrocote®



FLL-LOUVER-BL



ARF-SPC



FLL-VISOR-XX

PERFORMANCE DATA

# OF LEDS	DRIVE CURRENT (MILLIAMPS)	SYSTEM WATTS	DISTRIBUTION TYPE	4K (4000K nominal, 80 CRI)				5K (5000K nominal, 70/80 CRI)			
				NEMA	LUMENS	LPW	MAX BEAM CANDLEPOWER	LUMENS	LPW	MAX BEAM CANDLEPOWER	
28	1050mA	95W	W	6 x 6	-	-	-	9557	100.6	6935	
140 Yoke	158mA	150W	W	7 x 7	14665	98	5627	14764	98.4	5731	
140 Knuckle	158mA	150W	W	7 x 7	14665	98	5627	-	-	-	

Lumen values are from photometric tests performed in accordance with IESNA LM-79-08. Data is considered to be representative of the configurations shown. Actual performance may differ as a result of end-user environment, application and inherent performance tolerances of the electrical components.

LUMINAIRE AMBIENT TEMPERATURE FACTOR (LATF)

AMBIENT TEMPERATURE		LUMEN MULTIPLIER
0°C	32°F	1.02
10°C	50°F	1.01
20°C	68°F	1.00
25°C	77°F	1.00
30°C	86°F	1.00
40°C	104°F	0.99

Use these factors to determine relative lumen output for average ambient temperatures from 0-40°C (32-104°F).

ELECTRICAL DATA

# OF LEDS	NUMBER OF DRIVERS	DRIVE CURRENT (mA)	INPUT VOLTAGE (V)	CURRENT (Amps)	SYSTEM POWER (W)
28	1	1050mA	120	0.82	95
			277	0.36	95
140	1	158mA	120	1.25	150
			277	0.54	150

PROJECTED LUMEN MAINTENANCE

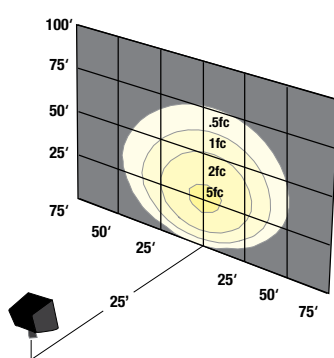
AMBIENT TEMP.	OPERATING HOURS - FLL-28L					Calculated L70 (HOURS)
	0	25,000	50,000	¹ TM-21-11 60,000	100,000	
25°C / 77°F	1.00	0.94	0.91	0.88	0.79	>149,000
40°C / 104°F	1.00	0.92	0.90	0.87	0.76	>132,000

Nichia 219B, 1080mA, 85°C

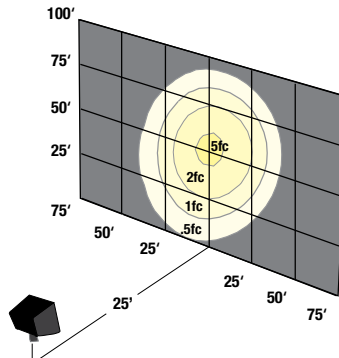
AMBIENT TEMP.	OPERATING HOURS - FLL-140L					Calculated L70 (HOURS)
	0	25,000	50,000	¹ TM-21-11 60,000	100,000	
25°C / 77°F	1.00	0.96	0.94	0.93	0.89	>331,000
40°C / 104°F	1.00	0.95	0.92	0.90	0.85	>237,000

Nichia NFLS757DT-V1, 150mA, 85°C

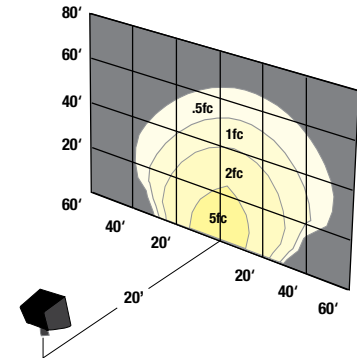
PHOTOMETRICS For additional photometric information and IES downloads, visit our web site at www.hubbelloutdoor.com



FLL-140L-5K, 25' setback straight on



FLL-140L, 25' setback, 45 degree tilt



FLL-28L, 20' setback, 45 degree tilt