



## SPRING-LOK® SEAL

### Product Data Sheet

Brooks' Spring-Lok Seal is a self-locking, short-term, tamper indicating plastic seal with a unique hinge design.

## APPLICATIONS

The Brooks' Spring-Lok Seal is used in sealing meter demand reset mechanisms.

## FEATURES

- Constructed of injection-molded polypropylene.
- Plastic body blushes when tampering has occurred.
- Heat-stamped or embossed with:
  - Company Name (Maximum 12 letters)
  - Serial Numbers (Maximum 7 Digits)
- Available in 12 Standard Colors.

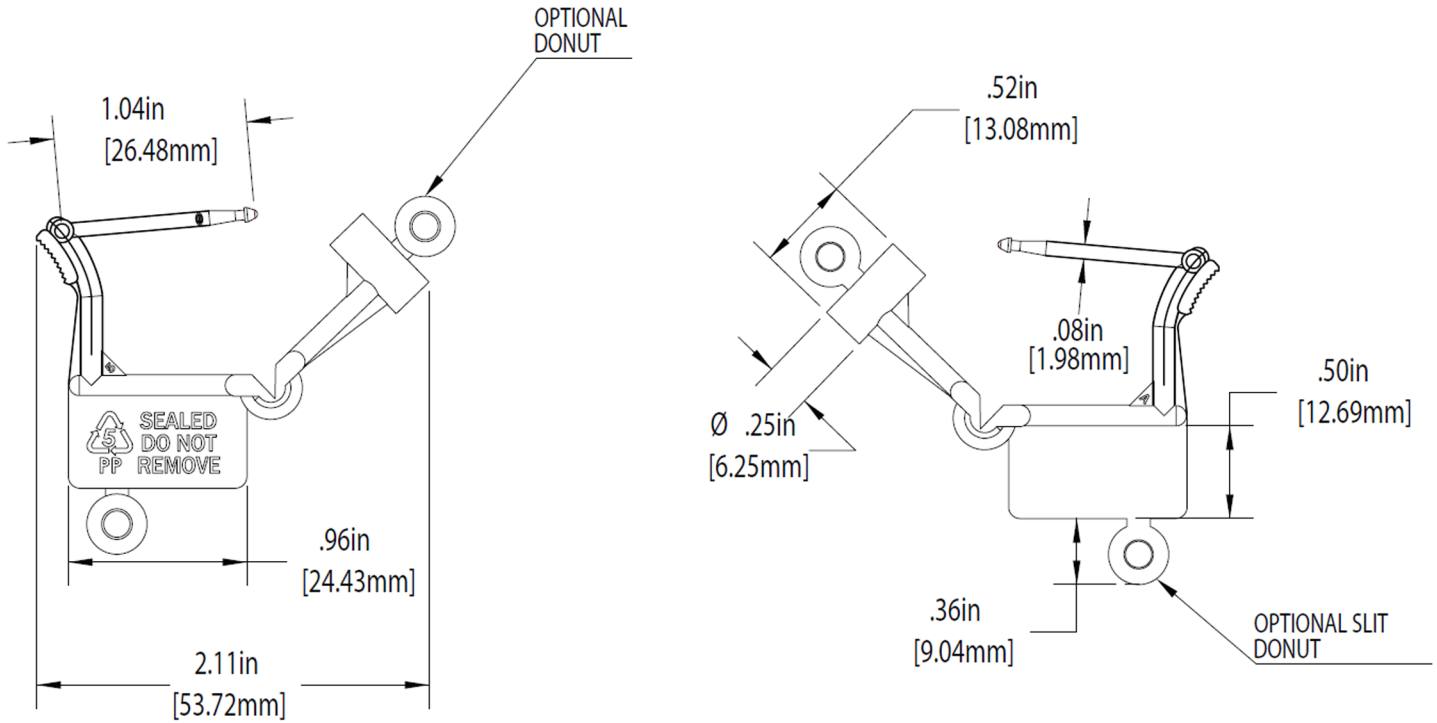
## MODEL NUMBERS

<b>6300000-X</b>	Heat Stamped, Consecutively Numbered
<b>6302000-X</b>	Heat Stamped, Consecutively Numbered, W/ Donut
<b>6309999-4</b>	4" Stringing Ring
<b>6309999-6</b>	6" Stringing Ring

## SPRING-LOK COLOR CHART

<b>1</b> RED	<b>2</b> GREEN	<b>3</b> BLUE	<b>4</b> ORANGE
<b>5</b> GRAY	<b>6</b> YELLOW	<b>7</b> MAROON	<b>8</b> BLACK
<b>10</b> WHITE	<b>12</b> PURPLE	<b>13</b> DARK BLUE	<b>14</b> DARK GREEN

# DIMENSIONS



## PACKAGING

### Standard Packaging:

1,000/Box—5,000/Carton

### Carton Dimensions:

28" x 15" x 10"

(71 cm x 38 cm x 25 cm)

### Carton Weight:

Gross: 21 lbs (10 kg)

Net: 16 lbs (7 kg)

### Special Packaging:

50/Polybag—2,500/Carton

100/Polybag—2,500/Carton