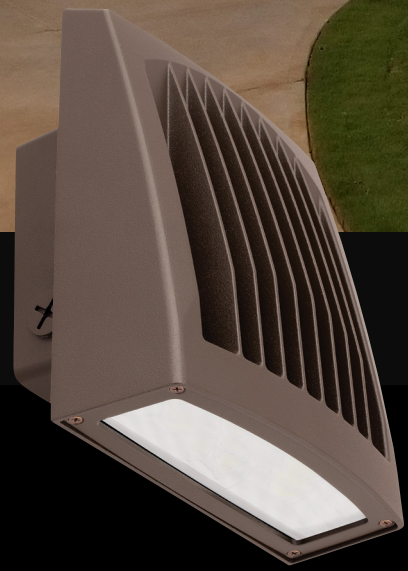




- ALERA LIGHTING
- ARCHITECTURAL AREA LIGHTING
- BEACON PRODUCTS
- COLUMBIA LIGHTING
- COMPASS
- DUAL-LITE
- HUBBELL CONTROL SOLUTIONS
- HUBBELL INDUSTRIAL LIGHTING
- HUBBELL OUTDOOR LIGHTING
- KIM LIGHTING
- KURT VERSEN
- LITECONTROL
- PRESCOLITE
- WHITEWAY



SLING SERIES



701 Millennium Blvd. Greenville, SC 29607
Tel 864.678.1000
www.hubbelloutdoor.com

HOL00329 5K April 22, 2019 12:59 PM

Copyright © 2019 Hubbell Outdoor Lighting, a division of Hubbell Lighting, Inc. All rights reserved.
Please refer to online specifications for most up-to-date content as specifications are subject to change without notice.
Due to our continued efforts to improve our products, product specifications are subject to change without notice.





MAXIMUM VERSATILITY

A wide variety of options, controls, mounting configurations, lumen outputs, CCT's and paint finishes gives the Sling tremendous versatility. Options include high voltage (347/480V), comfort lens, photocell, occupancy sensor, SiteSync™ wireless programmable controls and battery backup capabilities. The Sling is capable of inverted or “up” mounting as well as yoke and knuckle flood mounting utilizing accessories. It is available in six lumen outputs and three color temperatures (3000/4000/5000K). Five standard finishes allow this luminaire to match a variety of color schemes and blend into the environment. Whatever your design requirements, Sling is the selection.



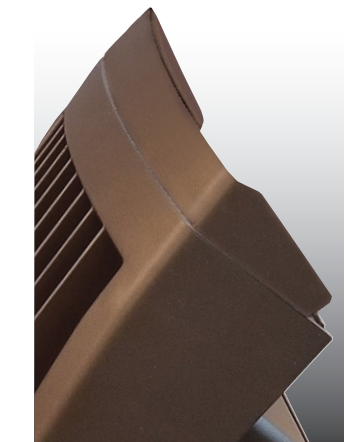
WALL MOUNT



YOKE MOUNT



KNUCKLE MOUNT



VISOR

SUPERIOR DESIGN

The sleek luminaire is available in two housing sizes and a variety of outputs. The slender angled shape provides both function and form. The fins maximize heat dissipation keeping the LEDs and other electronics cool while complementing the vertical design. Soft curves are tightly sealed keeping out water and dust featuring an IP65 rating.

OPTIMAL PERFORMANCE

Sling LED wall fixtures offer strong photometric performance that is highly efficient with up to 113 LPW. The LED's are angled to maximize the forward and outward coverage which allows for wider spacing and less fixtures. A comfort lens option is available to provide glare control and “soften” the light if necessary. It is the perfect solution for both low or high mounting applications providing excellent uniformity for accent, security or general flood lighting applications.



EFFORTLESS INSTALLATION

Lightweight design paired with a compact size makes Sling easy to handle. It offers a side swinging hinge freeing up both hands making wire connections simple. The side movement minimizes the chance of damaging lenses or causing injury common with drop down designs. The yoke flood accessories include 3' of SO cord which ensures the installer does not come up short. The simple installation design saves time and labor reducing total costs.



SIDE HINGED

VERSATILE DESIGN & CONTROL

4" junction box with easy install mounting plate

Four 1/2" threaded hubs for surface conduit wiring

Rugged die-cast housing features isolation of LED driver from light engine and heat dissipating vents for maximum LED life and performance



COMFORT LENS



Standard clear lens and optional comfort lens accessory



WIRELESS+SENSORS

Occupancy sensor provides significant energy savings by lowering light levels or only lighting the application area where and when it's needed.



SiteSync™ wireless lighting control delivers flexible control strategies for reducing power consumption and minimizing maintenance costs while delivering the right light levels with a simple and affordable wireless solution.



EMERGENCY EGRESS



Battery back up feature with side indicator, (EH) option provides 4:1 spacing, available on SG2 only.

Delivers Life Safety Code average illuminance of 1.0 fc. Assumes open space with no obstructions.

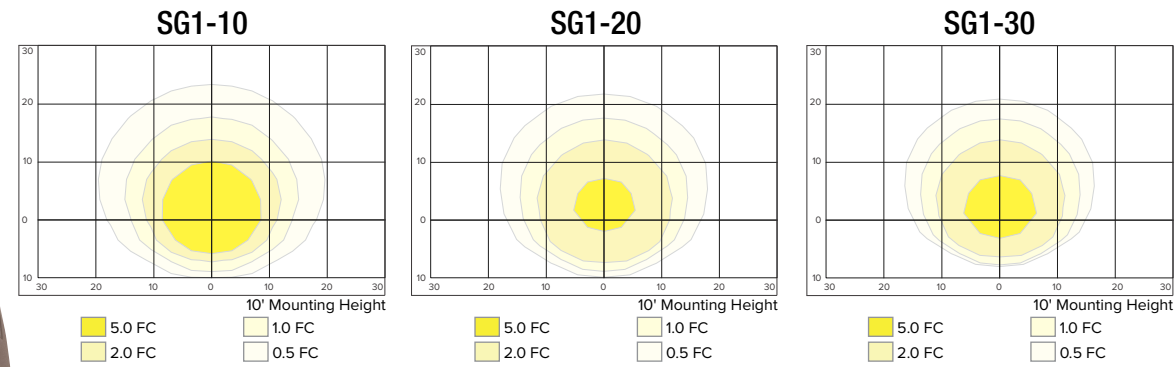
PHOTOCONTROL



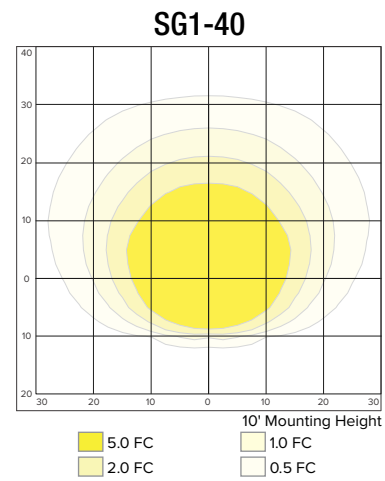
Photocontrol option available for energy-saving dusk-to-dawn operation, installs in the top conduit hub.

VERSATILE SIZE & PERFORMANCE

SG1



Catalog Number	Equivalency		Distribution	CCT	Voltage	Mounting Height
	MH	HPS				
SG1-10-PCU	75W	75W	IV	5000K	120-277V	8-12ft
SG1-10-4K-PCU	75W	75W		4000K		
SG1-20-PCU	100W	100W		5000K		
SG1-20-4K-PCU	100W	100W		4000K		
SG1-30-PCU	150W	150W		5000K		
SG1-30-4K-PCU	150W	150W		4000K		
SG1-40-PCU	150W	150W	5000K	10-15ft		
SG1-40-4K-PCU	150W	150W	4000K			



ORDERING

STOCK VERSIONS

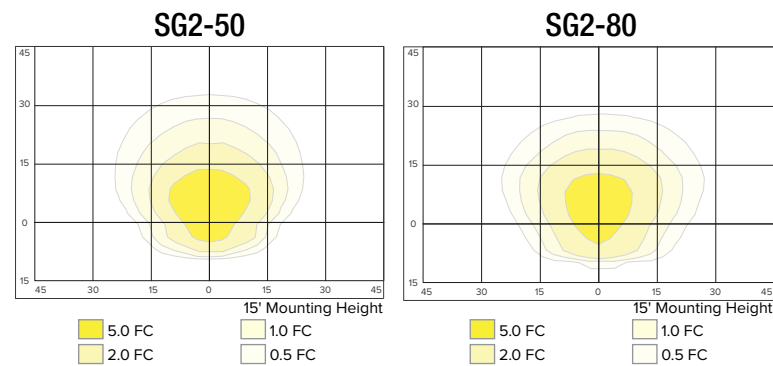
Catalog Number	CCT/CRI	Wattage	Mounting Height	Voltage	Color	Lumens	LPW	Weight lbs. (kg)
SG1-10-PCU	5000K/70	11w	8-12ft	120-277V	Dark Bronze	1349	122	4.3 (2)
SG1-10-4K-PCU	4000K/70					1424	129	
SG1-20-PCU	5000K/70	21w	10-15ft			2263	108	
SG1-20-4K-PCU	4000K/70					2310	110	
SG1-30-PCU	5000K/70	29w	10-15ft			3270	113	
SG1-30-4K-PCU	4000K/70					3060	105	
SG1-40-PCU	5000K/70	38w	10-15ft	4008	105			
SG1-40-4K-PCU	4000K/70			4070	106			
SG2-50-PCU	5000K/70	51w	12-18ft	120-277V	Dark Bronze	5548	110	11 (5)
SG2-50-4K-PCU	4000K/70					5526	109	
SG2-80-PCU	5000K/70	80w	15-25ft			8061	101	
SG2-80-4K-PCU	4000K/70					8079	101	

CONFIGURABLE

FAMILY	CCT/CRI	DISTRIBUTION	VOLTAGE	COLOR/FINISH	CONTROL OPTIONS	OPTIONS
SG1-10	Size 1, 10w	3K7 3000K, 70 CRI	FT Fwd Throw	UNV 120V-277V	DB Textured Dark Bronze	PCU Button Photocontrol 120-277V
SG1-20	Size 1, 20w	4K7 4000K, 70 CRI	120' 120V	BL Textured Black	SCP ^{1,2,3} Sensor Control, Programmable	E ^{1,2} Battery 0°C
SG1-30	Size 1, 30w	5K7 5000K, 70 CRI	277' 277V	WH Textured White	SWP ^{1,2} SiteSync, Precommission	EH ^{1,2} Battery w/ heater -20°C
SG1-30	Size 1, 30w		UHV ¹ 347V-480V	GYS Smooth Gray	SWPM ^{1,2} SiteSync, Precommission, Motion	
SG2-50	Size 2, 50w			PS Smooth Plat. Silver	Specify MTG HT for SC & SWPM	
SG2-80	Size 2, 80w			CC Custom Color	8F Up to 8'	
					20F Up to 20'	

¹ Available in SG2 only, UHV available in SG2-50 only
² Sensor controls can not be used with flood accessory kit or for inverted/up mounting.
 120-277V only for SCO/SCP, 120 or 277 only for SWP, SWPM, E & EH
³ Must order minimum of one remote control to program dimming settings, 0-10V fully adjustable dimming or on/off with automatic daylight calibration and different time delay settings, 120-277V only, PCU option not applicable

SG2

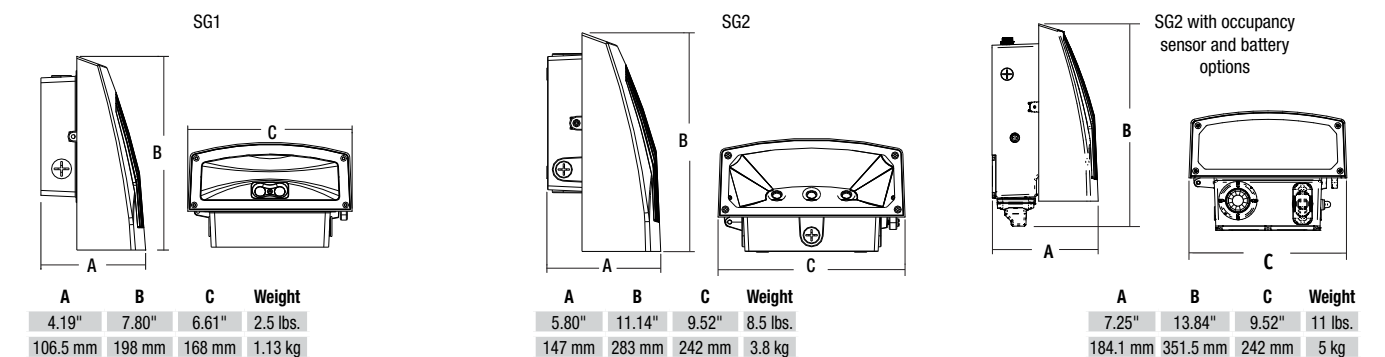


Catalog Number	Equivalency		Distribution	CCT	Voltage	Mounting Height
	MH	HPS				
SG2-50-PCU	175W	175W	IV	5000K	120-277V	12-18ft
SG2-50-4K-PCU	175W	175W		4000K		
SG2-80-PC-PCU	250W	250W		5000K		
SG2-80-4K-PCU	250W	250W		4000K		

FINISH OPTIONS



DIMENSIONS



ACCESSORIES

Catalog Number	Description	Weight lbs. (kg)
SG1-CS	Acrylic comfort lens for SG1	1 (.45)
SG2-CS	Acrylic comfort lens for SG2	1 (.45)
SG1-YOKE	SG1 Series Yoke/Floodlight mount kit, includes visor	2.0 (1.0)
SG1-KNUCKLE	SG1 Series Knuckle/Floodlight mount kit, includes visor	2.0 (1.0)
SG2-YOKE	SG2 Series Yoke/Floodlight mount kit, includes visor	2.0 (1.0)
SG2-KNUCKLE	SG2 Series Knuckle/Floodlight mount kit, includes visor	2.0 (1.0)
SCP-REMOTE*	Remote control for SCP option. Order at least one per project to program and control fixtures	1 (.45)

*Must order minimum of one remote control to program dimming settings, 0-10V fully adjustable dimming with automatic daylight calibration and different time delay settings, 120V or 277V only