

**CFP**

EDGE-LIT FLAT PANEL

NOTE: Components shown in images are representative only and may vary based on the configuration ordered.

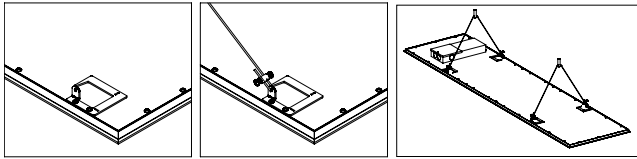
**CAUTION**

- All connections and assembled components need to be tightened and securely fastened. Do not remove die cast end from cable. Crimps are factory pressed onto cable for maximum strength. Hubbell will not be responsible for damage or injuries which occur due to the cable/crimp alterations.
- This product must be installed in accordance with the applicable installation code by a person familiar with the construction and operation of the product and the hazards involved.

**CFP SUSPENSION KIT ASSEMBLY INSTRUCTIONS NON-POWER FEED KIT**

**STEP 1**

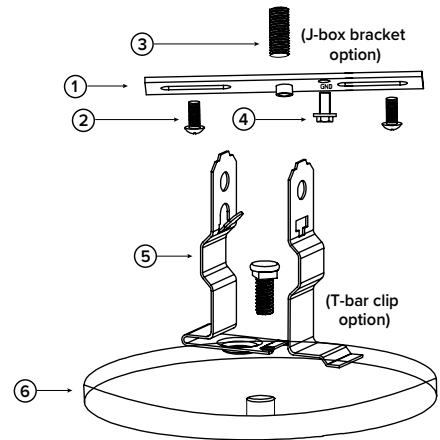
Thread one end of gripper cross cable through safety stop ⑩, then through fixture bracket hole, and back through safety stop to complete loop as shown in picture. Secure with screws. Repeat on other side.



**STEP 2 (CHOOSE J-BOX BRACKET OR T-BAR CLIP)**

J-box bracket option: Securely install J-box bracket ① onto the junction box with the two #8-32 screws ②. Install the 1/4-20 threaded stud ③ into center hole of the bracket. Leave approx. 1/2"-3/4" exposed thread. Install the ground screw ④, which will be used later.

T-bar clip option: Place 1/4-20 stud into square opening on the bottom of T-bar clip ⑤ as pictured. Position T-bar clip on ceiling grid at required location. Secure clip to structural member by inserting support wire through 1/4" diameter hole located at the top of the clip (support wire not included).



**STEP 3**

Thread cable with stop ⑧ through top threaded end of barrel coupler ⑦ and pull cable until stop is seated inside coupler.

**STEP 4**

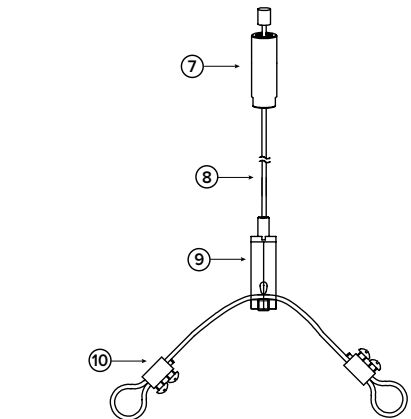
Place 5" canopy ⑥ over mounting stud on T-bar and hold canopy against ceiling surface. Thread barrel coupler ⑦ onto stud and secure.

**STEP 5**

Feed open end of cable through top plunger end of cable gripper. Gripper will engage around cable to prevent slipping. Adjust cable gripper position by pressing top plunger down. With the plunger depressed the gripper will move freely to any position.

**STEP 6**

Lift fixture to ceiling and thread cable completely through gripper. After the final cable gripper position is determined, trim excess cable no less than 3" beyond cable gripper outlet.



**J-box bracket option**

Item	Description	QTY
1	J-Box Bracket	1
2	#8-32 screws	2
3	1/4-20 Threaded Stud	1
4	Ground Screw	1
6	5" Canopy	1
7	Barrell Coupler	1
8	Cable with stop	1
9	Gripper with cross cable	1
10	Safety Stop	1

**T-bar clip option**

Item	Description	QTY
5	T-Bar Clip	1
6	5" Canopy	1
7	Barrell Coupler	1
8	Cable with stop	1
9	Gripper with cross cable	1
10	Safety Stop	1

**LUMEN SELECTABLE INSTRUCTIONS**

Different lumen levels can be achieved by setting the switch on the driver cover to different positions.

**For 38W Product**

2800/3300/4000 Lumens

**LED DRIVER**  
MODEL:HB-50W-090A042-D001

4000lm 3300lm 2800lm  
AC INPUT:100-277VAC,50/60Hz,  
Max.0.7A, Max.40W  
DC OUTPUT:27-42VDC, 900mA,  
Max. Power 37.8W  
PF>0.90 Class P Class 2  
0-10V dimming control  
ta:50°C tc: max

INPUT: L-BLACK N-WHITE  
G GREEN  
D-GRAY  
D-PURPLE  
OUTPUT: LED-BLACK LED-BLACK LED-RED

HUBBELL LIGHTING, INC.  
Used for connecting equipment wire  
rated temperature is at least 90°C (194°F)

YMMM

**For 52W Product**

3400/4100/5500 Lumens

**LED DRIVER**  
MODEL:HB-50W-110A042-D001

5500lm 4100lm 3400lm  
AC INPUT:100-277VAC,50/60Hz,  
Max.0.7A, Max.50W  
DC OUTPUT:27-42VDC, 1100mA,  
Max. Power 46.2W  
PF>0.90 Class P Class 2  
0-10V dimming control  
ta:50°C tc: max

INPUT: L-BLACK N-WHITE  
G GREEN  
D-GRAY  
D-PURPLE  
OUTPUT: LED-BLACK LED-BLACK LED-RED

HUBBELL LIGHTING, INC.  
Used for connecting equipment wire  
rated temperature is at least 90°C (194°F)

YMMM

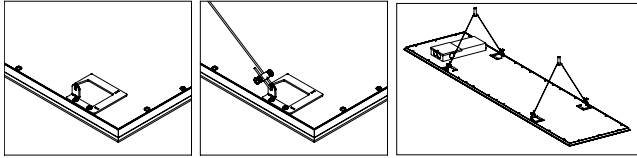
CFP

EDGE-LIT FLAT PANEL

CFP SUSPENSION KIT ASSEMBLY INSTRUCTIONS POWER FEED KIT

STEP 1

Thread one end of gripper cross cable through safety stop ⑫, then through fixture bracket hole, and back through safety stop to complete loop as shown in picture. Secure with screws. Repeat on other side.



STEP 2

Securely install J-box bracket ① onto the junction box with the two #8-32 screws ②. Install the 1/4-20 threaded stud ③ into center hole of the bracket. Leave approx. 1/2"-3/4" exposed thread. Install the ground screw ④, which will be used later.

STEP 3

Insert the cord set ⑩ into the junction box and make the connections per all the appropriate electrical codes. For T-bar ceilings, the junction box installation is not covered in these instructions, but code requirements must be followed.

STEP 4

Thread cable with stop ⑨ through top threaded end of barrel coupler ⑦ and pull cable until stop is seated inside coupler.

STEP 5

Feed cord set through larger canopy hole and secure canopy to 1/4-20 stud with barrel coupler. You may need to adjust the height of the 1/4-20 stud.

STEP 6

Use pliers to install strain relief bushing ⑥ around cord set and into canopy hole.

STEP 7

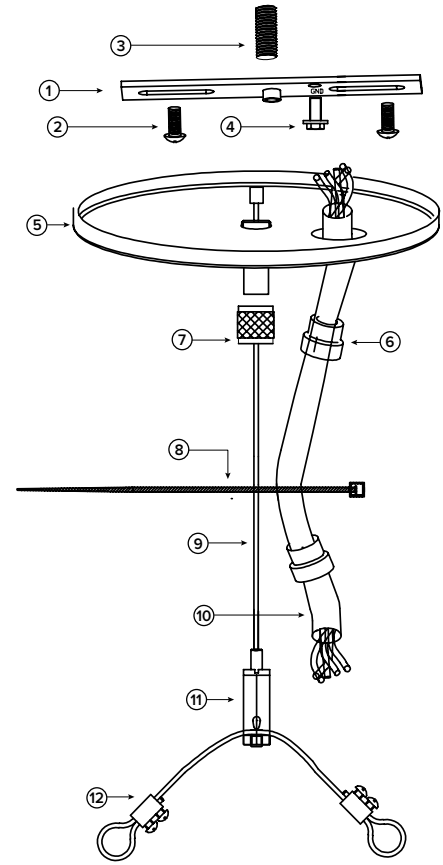
Thread cable through top plunger end of gripper. Insert cable completely through cable gripper. Gripper will engage around cable to prevent slipping. Adjust cable gripper position by pressing top plunger down, with the plunger depressed the gripper will move freely to any position.

STEP 8

Determine the final position of the fixture and the length of the cord set and cable that are required for the application. If necessary, trim the cord set length and adjust cord guide as appropriate to the fixture design. After the final cable gripper position is determined, trim excess cable no less than 3" beyond cable gripper outlet. Cord set can be secured to cable with provided cable ties ⑧.

STEP 9

Make electrical connections in the lighting fixture as appropriate. Be sure to follow all local and national code requirements.



J-box bracket option

Item	Description	QTY
1	J-Box Bracket	1
2	#8-32 screws	2
3	1/4-20 Threaded Stud	1
4	Ground Screw	1
5	5" Canopy	1
6	Strain Relief Bushing	2
7	Coupler	1
8	Cable tie	1
9	Cable with stop	1
10	18/5 SJT Cord set	1
11	Gripper with cross cable	1
12	Safety Stop	1

LUMEN SELECTABLE INSTRUCTIONS

Different lumen levels can be achieved by setting the switch on the driver cover to different positions.

For 38W Product

2800/3300/4000 Lumens

**LED DRIVER**  
MODEL:HB-50W-090A042-D001

4000lm 3300lm 2800lm  
AC INPUT:100-277VAC,50/60Hz,  
Max.0.7A, Max.40W  
DC OUTPUT:27-42VDC, 900mA,  
Max. Power 37.8W  
PF>0.90 Class P Class 2  
0-10V dimming control  
ta:50°C tc:max

INPUT: G GREEN, L-BLACK, N-WHITE  
OUTPUT: D+ PURPLE, D- GRAY, LED-BLACK, LED-RED

HUBBELL LIGHTING, INC.  
Used for connecting equipment wire  
rated temperature is at least 90°C (194°F)

Y YMM

For 52W Product

3400/4100/5500 Lumens

**LED DRIVER**  
MODEL:HB-50W-110A042-D001

5500lm 4100lm 3400lm  
AC INPUT:100-277VAC,50/60Hz,  
Max.0.7A, Max.50W  
DC OUTPUT:27-42VDC, 1100mA,  
Max. Power 46.2W  
PF>0.90 Class P Class 2  
0-10V dimming control  
ta:50°C tc:max

INPUT: G GREEN, L-BLACK, N-WHITE  
OUTPUT: D+ PURPLE, D- GRAY, LED-BLACK, LED-RED

HUBBELL LIGHTING, INC.  
Used for connecting equipment wire  
rated temperature is at least 90°C (194°F)

Y YMM

**Note:** Approved electrical box must be attached appropriately and by qualified person. Installation must comply with local and/or national code. Check local building codes prior to installation.

**Warning:** Risk of electric shock. Cable kit installation requires knowledge of lighting luminaire electric systems. If not qualified, do not attempt installation—contact qualified electrician.

**Warning:** Install this cable kit securely only with a lighting luminaire that has been designed or modified to accommodate the components supplied with this kit and secured to a structural member.

**Notice:** Turn off the electrical power to the lighting luminaire circuit during the installation process.