

Catalog Number	
Notes	Type

FEATURES AND SPECIFICATIONS

APPLICATIONS

- LED lighting fixtures that require dusk to dawn control
- High inrush current fixtures

DESIGN DETAILS

- Designed to last as long as your LED lighting system, 20+ years
- LED inrush protection with triac assisted relay
- Extreme surge protection of 1280J/40kA utility or 2120J/40kA UL listed
- Double thick enclosure and lens with additional UV inhibitor
- High temp base plastic tested to 140°C
- Long life capacitors
- Full wave rectified power supply
- Dual zener diodes for long life
- Solid brass contact blades
- Double sided, thru hole plated .062" FR4 circuit board
- Conformal coated printed circuit board
- Sealed packaging for extended storage

REGULATORY LISTINGS

- ANSI C136.10
- ROHS compliant
- UL listed to U.S. and Canadian safety standards
- Surge rated in excess of ANSI C136.10 to 20kV/10kA

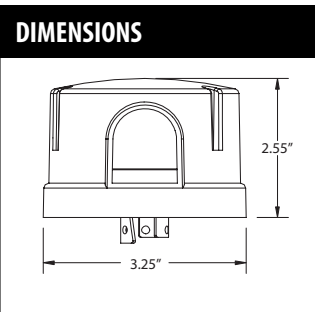
OPERATING CHARACTERISTICS

- Voltage 120 to 480 VAC, 60Hz
- Load rating: 1000 watts, 1800 VA ballast
- Average power consumption: <0.5 watts @ 120V

Electronic Locking Type

DLL Elite™

Long Life LED



DLL STANDARD COLORS		
	Non-UL	UL
120-277V	Green	Blue
347V	Green	Green
480V	Yellow	Yellow

ORDERING LOGIC

Example: DLL127 1.5 J50

DLL127		1.5		J50		
Series & Voltage	Failure Mode	Turn-On Level (ftc)	Filter	Certification	Cover Color	Pkg. Qty.
DLL127 120-277V	Blank Fail On	1.5 ANSI Std.	Blank Std.	Blank Std.	Blank Std. ¹	JU 1 Unit
DLL347 347V	F Fail Off		IR IR Filtered	CUL CULus	BK Black ²	J12 12 Units
DLL480 480V			Silicon		BR Brown ²	J50 50 Units
					GR Green ²	
					GY Gray ²	
					BL Blue ²	
					YL Yellow ²	

NOTES

- 1 No color substitutions for UL models.
- 2 Non-standard custom colors are non-stock items. Available in J12 and J50 only. Consult customer service.



Catalog Number	
Notes	Type

STOCKED MODEL NUMBERS

Model #	Description	Pkg. Qty.
DLL127 1.5	120-277V Fail- On (non- UL)	JU, J12, J50
DLL127F 1.5	120-277V Fail- Off (non-UL)	JU, J12, J50
DLL127F 1.5 CUL	120-277V Fail- Off	JU, J12, J50
DLL127 1.5 CUL	120-277V Fail- On	JU, J12, J50
DLL347F 1.5 CUL	347V Fail- Off	JU, J12, J50
DLL347 1.5 CUL	347V Fail- On	JU, J12, J50
DLL480F 1.5 CUL	480V Fail- Off	JU, J12, J50
DLL480 1.5 CUL	480V Fail- On	JU, J12, J50

Models not listed above are subject to the standard 60 day lead-time.



Expanding the boundaries of lighting™

Sheet # DTL-DLL