

# 90° Liquidtight Connectors

## Gray - Nylon

### Features

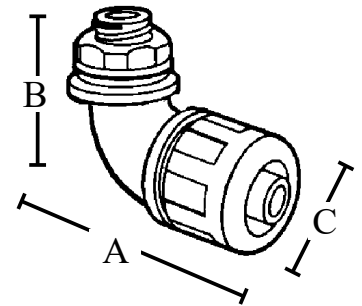
- Liquidtight, raintight, oiltight
- For flexible non-metallic liquidtight tubing
- Easy assembly avoids having to remove the compression nut
- 90° angle
- Gray
- Also available in black

### Applications

- For use in wet and dry locations

### Standard Material

- 6/6 Nylon



Catalog Number	UPC	Conduit Size	Unit Carton	Ship Case	Weight/Case	Inches		
						A	B	C
<b>P490</b>	21650	<b>3/8" 1/2" KO</b>	10	100	9	2.56	2.14	1.09
<b>P491</b>	21660	<b>1/2"</b>	10	100	8	2.56	2.14	1.09
<b>P492</b>	21670	<b>3/4"</b>	10	100	11	2.84	2.38	1.30
<b>P493</b>	21680	<b>1"</b>	5	50	8	2.25	2.81	1.50
<b>P494</b>	21681	<b>1-1/4"</b>	2	20	8	3.96	3.36	2.40
<b>P495</b>	21682	<b>1-1/2"</b>	2	20	10	4.13	3.45	2.68
<b>P496</b>	21683	<b>2"</b>	1	10	9	4.68	4.04	3.31