

# Industrial Areamaster™ Generation 2 HL LED Luminaire Floodlight for Ordinary Locations

**NEC/CEC:**  
Marine outside type (salt water) for USA Only  
**Wet locations**  
Type 3R, 4, 4X  
IP66/67

## Applications

- Powerful, efficient weatherproof lighting for applications such as:
  - Security lighting
  - Production facilities
  - Warehouses
  - Processing plants
  - Storage areas
  - Parking garages and lots

## Features

- Three lumen outputs provide up to 38,000 lumens.

Nominal Lumens ①	Wattage (W)	Efficacy (lpw)	HID Equivalent	Model Number
24,000	180	133	1000W	IAMLHL1
30,000	225	133	1000-1500W	IAMLHL2
38,000	310	123	1500W	IAMLHL3

① Nominal lumen value for 5000K, detailed lumen information provided in tables.

- Choice of optics for optimal light distribution in a variety of applications.
- Separate field wiring compartment with screw terminal block for easy and secure connection (can accept UL/CSA 26-10AWG).
- Two ¾" NPT entries provided.
- Yoke bracket is designed to accommodate traditional Areamaster brackets and slipfitters for easy retrofit.
- Choice of color temperature (CCT); 5000K cool white or 3000K warm white.
- Rugged and compact housing with superior thermal design translates to long luminaire life.
- Heavy duty, high temperature silicone rubber gaskets.
- Thermal shock and impact resistant clear or frosted glass lens.
- Standard 6KV surge protection.
- Captive fasteners secure one piece lens.
- Field replaceable LED driver and lens cover.
- Ambient Temperature ranges from:
  - IAMLHL1 and IAMLHL2 from -40 °C to +65 °C (-40 °F to +149 °F)
  - IAMLHL3 from -40 °C to +55 °C (-40 °F to +131 °F)

## Options

- Improved safety cable design with multiple retention points, purchase separately
- Guard and visor available, purchase separately
- Slip-fitters and mounting brackets available for easy pole or wall mounting
- 10 KV Surge Protection

## Standard Materials

- Housing and lens door: copperfree (4/10 of 1% max.) aluminum
- Gaskets: silicone rubber
- Yoke: zinc plated HR steel
- Bolts: stainless steel
- Close up plugs: (1) aluminum provided
- Guard and safety cable: stainless steel
- Visor: Aluminum



Floodlight

## Standard Finishes

- Housing, lens cover, visor and yoke mount: architectural bronze polyester

## Related Products

- Round Tapered Steel Poles
- Hinged Steel Poled
- Square Tapered Steel Poles
- Square Steel Poles
- Floodlight Mounting Brackets

LED/FLOODLIGHTS: NEC/CEC ORDINARY LOCATION

Appleton

# Industrial Areamaster™ Generation 2 HL LED Luminaire

## Floodlight for Ordinary Locations

NEC/CEC:  
 Marine outside type (salt water) for USA Only  
 Wet locations  
 Type 3R, 4, 4X  
 IP66/67

### NEC/CEC Certifications and Compliances

- UL Standards:
  - UL1598, Luminaires
  - UL1598A, Luminaires for Installation on Marine Vessels
  - UL 8750, LED Equipment for Use in Lighting Products
- CSA Standards:
  - CSA C22.2 No. 250.0, Luminaires
- cCSAus: 164460 Certificate Number: 70073608

### DesignLights™ Consortium (for the following models)

- All models



LED/FLOODLIGHTS: NEC/CEC ORDINARY LOCATION

Order using catalog numbering guides below or select catalog number from tables on following pages.

<b>IAMLH</b>	<b>L1</b>	<b>C</b>	<b>G</b>	<b>7</b>	<b>BU</b>	<b>S</b>
Series:		Color Temp CCT:	Diffusion:	5 = 5x5 6 = 7x7 (non-optic) 7 = 7X6	Voltage:	F - Fusing ③ S - 10 KV Surge Protection
IAMLH: Areamaster 2 HL LED Series	Lumen Level:	C - 5000K W - 3000K ①	G - Clear Glass F - Frosted Glass ②		BU = 120V-277 Vac 50/60 Hz, 170-300 Vdc BH = 347-480 Vac 50/60 Hz	
	L1 - 24K L2 - 30K L3 - 38K					

### Lumen Output Tables ④:

Lumen Output for Clear Glass Lens			
	IAMLHL1	IAMLHL2	IAMLHL3
NEMA 7x7 (Non Optic), 5000K CCT, CRI 70	23,500	30,100	37,000
NEMA 7x6, 3000K CCT, CRI 80	19,800	23,500	30,300
NEMA 7x6, 5000K CCT, CRI 70	22,700	28,100	35,400
NEMA 5x5, 3000K CCT, CRI 80	21,400	25,500	32,800
NEMA 5x5, 5000K CCT, CRI 70	24,100	30,000	38,300

Lumen Output for Frosted Glass Lens			
	IAMLHL1	IAMLHL2	IAMLHL3
NEMA 7x7 (Non Optic), 5000K CCT	20,600	25,600	31,600

① 3000K CCT (warm) is not available with NEMA 7x7 light pattern  
 ② Frosted Glass is only available with NEMA 7x7 light pattern  
 ③ Use of fuse voids Marine rating.  
 ④ All lumen values are typical (tolerance +/-10%).



# Industrial Areamaster™ Generation 2 HL LED Luminaire

## Floodlight for Ordinary Locations

NEC/CEC:  
 Marine outside type (salt water) for USA Only  
 Wet locations  
 Type 3R, 4, 4X  
 IP66/67

### Electrical Ratings ①

Model Number	Voltage Suffix	Voltage (V)	Input Power (Watts)	Input Current (Amps)	Power Factor (PF)	Total Harmonic Distortion (THD)		
IAMLHL1	BU	120 Vac	180	1.52	>.9	<20%		
		277 Vac	176	0.67				
		170 Vdc	172	1.02	N/A	N/A		
		300 Vdc	170	0.57				
IAMLHL2	BH	347 Vac	179	0.52	>.9	<20%		
		480 Vac	179	0.39				
		IAMLHL3	BU	120 Vac	231	1.94	>.9	<20%
				277 Vac	231	0.88		
170 Vdc	220			1.30	N/A	N/A		
300 Vdc	217			0.72				
IAMLHL3	BH	347 Vac	219	0.64	>.9	<20%		
		480 Vac	219	0.47				
		IAMLHL3	BU	120 Vac	317	2.67	>.9	<20%
				277 Vac	303	1.15		
170 Vdc	305			1.80	N/A	N/A		
300 Vdc	298			0.99				
IAMLHL3	BH	347 Vac	299	0.87	>.9	<20%		
		480 Vac	298	0.63				

Luminaire Category	Image	Frontal Projected Area (FPA) ft <sup>2</sup>	Drag Coefficient (DC)	Effective Projected Area (EPA) = FPA*DC ft <sup>2</sup>
90° to Ground-Worst Case Mounting		2.04	1.20	2.45
45° to Ground-Standard Mounting		1.44	1.20	1.73

Surge Protection: Integral 6KV surge protection. Option for up to 10KV surge protection. (cCSAus only).  
 ① All ratings are typical.

# Industrial Areamaster™ Generation 2 HL LED Luminaire

## Floodlight for Ordinary Locations

NEC/CEC:  
 Marine outside type (salt water) for USA Only  
 Wet locations  
 Type 3R, 4, 4X  
 IP66/67

LED/FLOODLIGHTS: NEC/CEC ORDINARY LOCATION

Appleton®

CCT	Lumen Output	Wattage	Efficacy (lm/W)	Optical Pattern	Catalog Number ①
<b>Clear Glass</b>					
<b>120-277 Vac/170-300 Vdc</b>					
5000K (cool white)	23500	174	135	NEMA 7x7 (150°x150°)	IAMLHL1CG6BU
5000K (cool white)	24100	177	136	NEMA 5x5 (75°x75°)	IAMLHL1CG5BU
5000K (cool white)	22700	177	128	NEMA 7x6 (136°x113°)	IAMLHL1CG7BU
3000K (warm white)	21400	176	122	NEMA 5x5 (75°x75°)	IAMLHL1WG5BU
3000K (warm white)	19800	177	112	NEMA 7x6 (136°x113°)	IAMLHL1WG7BU
5000K (cool white)	30100	226	133	NEMA 7x7 (150°x150°)	IAMLHL2CG6BU
5000K (cool white)	30000	228	132	NEMA 5x5 (75°x75°)	IAMLHL2CG5BU
5000K (cool white)	28100	226	124	NEMA 7x6 (136°x113°)	IAMLHL2CG7BU
3000K (warm white)	25500	215	119	NEMA 5x5 (75°x75°)	IAMLHL2WG5BU
3000K (warm white)	23500	214	110	NEMA 7x6 (136°x113°)	IAMLHL2WG7BU
5000K (cool white)	37000	303	122	NEMA 7x7 (150°x150°)	IAMLHL3CG6BU
5000K (cool white)	38300	313	122	NEMA 5x5 (75°x75°)	IAMLHL3CG5BU
5000K (cool white)	35400	306	116	NEMA 7x6 (136°x113°)	IAMLHL3CG7BU
3000K (warm white)	32800	295	111	NEMA 5x5 (75°x75°)	IAMLHL3WG5BU
3000K (warm white)	30300	295	103	NEMA 7x6 (136°x113°)	IAMLHL3WG7BU
<b>347-480 Vac</b>					
5000K (cool white)	23500	174	135	NEMA 7x7 (150°x150°)	IAMLHL1CG6BH
5000K (cool white)	24100	177	136	NEMA 5x5 (75°x75°)	IAMLHL1CG5BH
5000K (cool white)	22700	177	128	NEMA 7x6 (136°x113°)	IAMLHL1CG7BH
3000K (warm white)	21400	176	122	NEMA 5x5 (75°x75°)	IAMLHL1WG5BH
3000K (warm white)	19800	177	112	NEMA 7x6 (136°x113°)	IAMLHL1WG7BH
5000K (cool white)	30100	226	133	NEMA 7x7 (150°x150°)	IAMLHL2CG6BH
5000K (cool white)	30000	228	132	NEMA 5x5 (75°x75°)	IAMLHL2CG5BH
5000K (cool white)	28100	226	124	NEMA 7x6 (136°x113°)	IAMLHL2CG7BH
3000K (warm white)	25500	215	119	NEMA 5x5 (75°x75°)	IAMLHL2WG5BH
3000K (warm white)	23500	214	110	NEMA 7x6 (136°x113°)	IAMLHL2WG7BH
5000K (cool white)	37000	303	122	NEMA 7x7 (150°x150°)	IAMLHL3CG6BH
5000K (cool white)	38300	313	122	NEMA 5x5 (75°x75°)	IAMLHL3CG5BH
5000K (cool white)	35400	306	116	NEMA 7x6 (136°x113°)	IAMLHL3CG7BH
3000K (warm white)	32800	295	111	NEMA 5x5 (75°x75°)	IAMLHL3WG5BH
3000K (warm white)	30300	295	103	NEMA 7x6 (136°x113°)	IAMLHL3WG7BH
<b>Frosted Glass</b>					
<b>120-277 Vac/170-300 Vdc</b>					
5000K (cool white)	20600	176	116	NEMA 7x7 (150x150)	IAMLHL1CF6BU
5000K (cool white)	25600	226	113	NEMA 7x7 (150x150)	IAMLHL2CF6BU
5000K (cool white)	31600	303	104	NEMA 7x7 (150x150)	IAMLHL3CF6BU
<b>347-480 Vac</b>					
5000K (cool white)	20600	176	116	NEMA 7x7 (150x150)	IAMLHL1CF6BH
5000K (cool white)	25600	226	113	NEMA 7x7 (150x150)	IAMLHL2CF6BH
5000K (cool white)	31600	303	104	NEMA 7x7 (150x150)	IAMLHL3CF6BH



① For Fusing option, add suffix **F** to end of part number, example IAMLHL1CG6BUF.  
 For 10KV surge protection, add suffix **S** to end of part number, example IAMLHL1CG7BUS.  
 For both Fusing and 10KV surge, add suffix **FS** to end of part number, example IAMLHL1CG7BUFS.

# Industrial Areamaster™ Generation 2 HL LED Luminaire Floodlight for Ordinary Locations

**NEC/CEC:**  
*Marine outside type (salt water) for USA Only*  
*Wet locations*  
*Type 3R, 4, 4X*  
*IP66/67*

## Accessories and Replacement Parts

	Description	Catalog Number
<b>Crossarm Mounting Bracket</b>		
	Has 180° horizontal adjustment — degree marked. Facilitates mounting floodlight to crossarm or other flat surface, or to G-AM-8-WB. Includes floodlight yoke bolts. Malleable iron, zinc plated, chromate sealed, architectural bronze polyester finish.	<b>G-AM-8-CA</b>
<b>Pipe or Wall Mount Bracket</b>		
	Used with G-AM-8-CA. Clamps to 1" to 2-1/2" pipe, vertical or horizontal, or mounts on flat surfaces. Includes U-bolt and crossarm bracket bolts. Malleable iron, zinc plated, chromate sealed, with architectural bronze polyester finish.	<b>G-AM-8-WB</b>
		
Crossarm Mounting Bracket ( <b>G-AM-8-CA</b> ) used with Pipe or Wall Mount Bracket ( <b>G-AM-8-WB</b> ).		
<b>Poletop Slip-Fitter</b>		
	Slip-fits 1-1/2" or 2" pipe size poletop tenons. Includes floodlight yoke bolts, 3 locking bolts, and cord grip. Body is malleable iron-zinc plated, chromate sealed, with cast aluminum cap. Assembly has architectural bronze polyester finish.	<b>G-SF20</b>
	Slip-fits 1" or 1-1/2" pipe size poletop tenons. Includes floodlight yoke bolts, 3 locking bolts, and cord grip. Body is malleable iron-zinc plated, chromate sealed, with cast aluminum cap. Assembly has architectural bronze polyester finish.	<b>AMLEDSF1</b>
<b>Poletop Slip-Fitter</b>		
	Slip-fits 2" or 2-1/2" poletop tenons. Includes floodlight yoke bolts, 3 locking bolts, and cord grip. Malleable iron, zinc plated, chromate sealed, with architectural bronze polyester finish.	<b>G-AM-8-SF</b>

LED/FLOODLIGHTS: NEC/CEC ORDINARY LOCATION


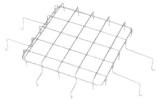



Appleton

# Industrial Areamaster™ Generation 2 HL LED Luminaire

## Floodlight for Ordinary Locations

NEC/CEC:  
 Marine outside type (salt water) for USA Only  
 Wet locations  
 Type 3R, 4, 4X  
 IP66/67

### Accessories and Replacement Parts

	Description	Catalog Number
<b>Wall Mount Bracket</b>		
	Used with G-AM-8-SF and GSF-20 to provide a wall mounting option. Galvanized Steel.	<b>GPSWB6</b>
<b>Wire Guard</b>		
	Stainless steel.	<b>LHGUARD</b>
<b>Safety Cable</b>		
	Stainless steel.	<b>LEDSC</b>
<b>Visor</b>		
	Steel with architectural bronze polyester finish. For Dark Sky Friendly design.	<b>AMLHV</b>
<b>Portable Floodlight Base</b>		
	Portable floodlight base for temporary lighting applications. To be used with wire guard. Malleable iron with architectural bronze polyester finish.	<b>G-AM-PFB</b>

LED/FLOODLIGHTS: NEC/CEC ORDINARY LOCATION

Appleton®

# Industrial Areamaster™ Generation 2 HL LED Luminaire

## Floodlight for Ordinary Locations

**NEC/CEC:**  
 Marine outside type (salt water) for USA Only  
 Wet locations  
 Type 3R, 4, 4X  
 IP66/67

### Replacement Covers



AMLHCLEAR

AMLHFROST

	Voltage	Driver Wattage	Constant Current Setting	Luminaire Model	CCT	Catalog Number
<b>Replacement Drivers</b>						
	BU	150 watt	915mA	IAMLHL3C	5K	APMS150C105UD91
	BH					APMS150C105HD91
	BU	150 watt	680mA	IAMLHL2C	5k	APMS150C105U68
	BH					APMS150C105HD68
	BU	150 watt	890mA	IAMLHL3W	3K	APMS150C105UD89
	BH					APMS150C105HD89
	BU	150 watt	650mA	IAMLHL2C	3K	APMS150C105UD65
	BH					APMS150C105HD65
	BU	100 watt	530mA	IAMLHL1C, IAMLHL1W	5K and 3K	APMS100C105UD53
	BH					APMS100C105HD53

### Industrial Areamaster Generation 2 Accessory Weights

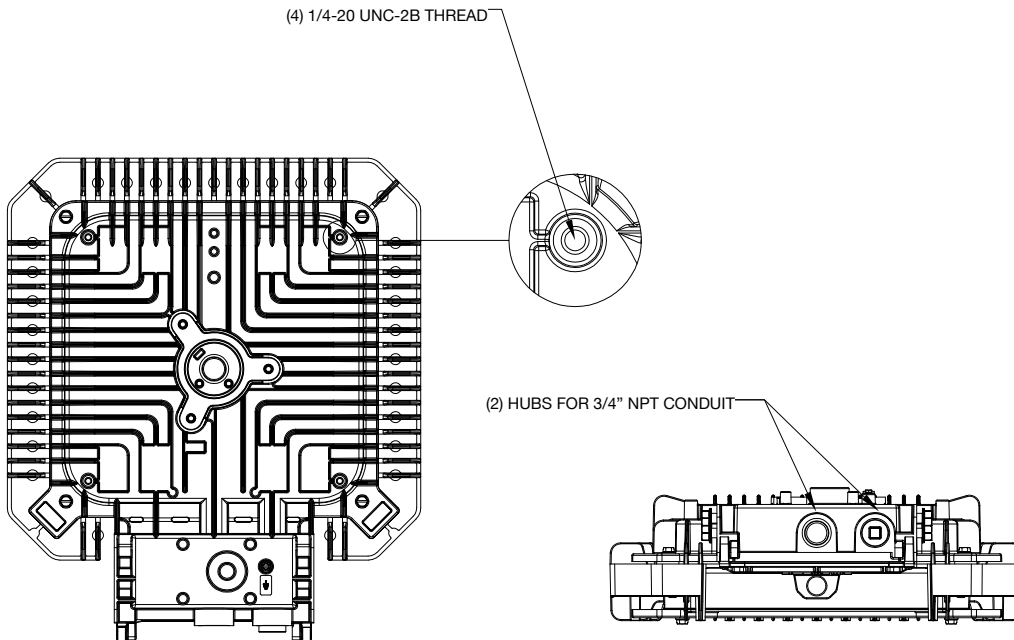
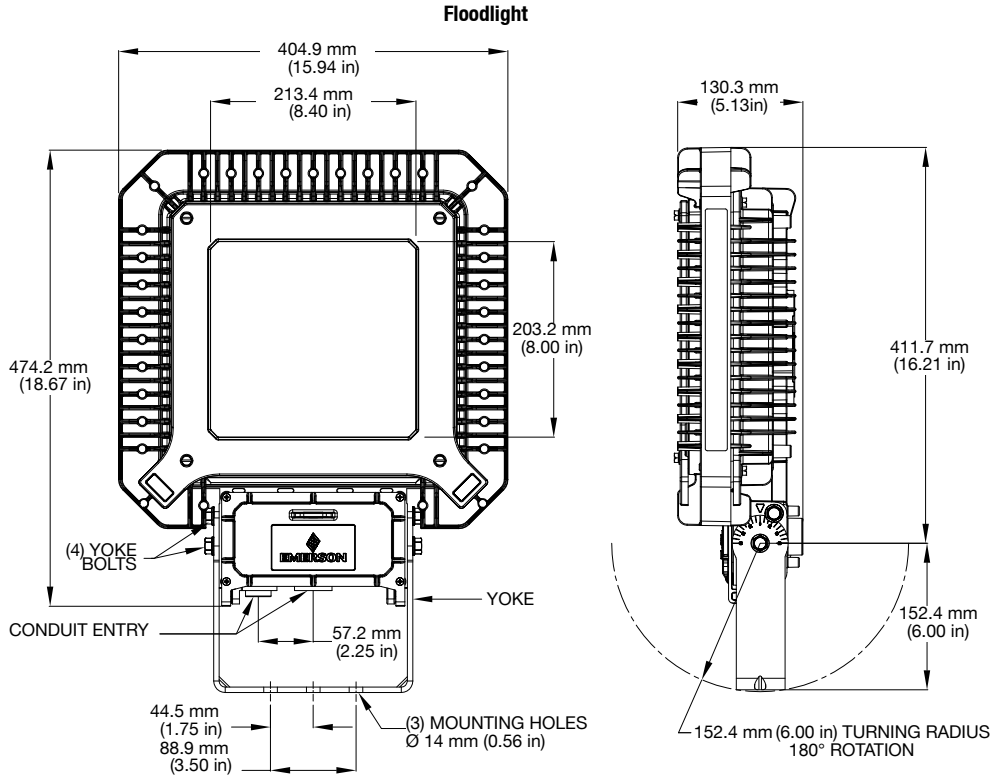
Description	Weight in kg (lbs)
IAMLHL1, IAMLHL2, IAMLHL3 Luminaires	16.1 (35.4)
Yoke Bracket	1.4 (3.1)
Visor	0.3 (0.6)
Guard	0.2 (0.4)
Safety Cable	0.2 (0.4)
Crossarm Mounting Bracket G-AM-8-CA	1.4 (3.1)
Pipe or Wall Mount Bracket G-AM-8-WB	2.9 (6.4)
Poletop Slip-Fitter GSF20	1.4 (3.1)
Poletop Slip-Fitter AMLEDSF1	2.4 (5.3)
Poletop Slip-Fitter GAM8SF	-
-	-

# Industrial Areamaster™ Generation 2 HL LED Luminaire

## Floodlight for Ordinary Locations

NEC/CEC:  
 Marine outside type (salt water) for USA Only  
 Wet locations  
 Type 3R, 4, 4X  
 IP66/67

Dimensions in Millimeters (Inches)



LED/FLOODLIGHTS: NEC/CEC ORDINARY LOCATION

Appleton



# Industrial Areamaster™ Generation 2 HL LED Luminaire

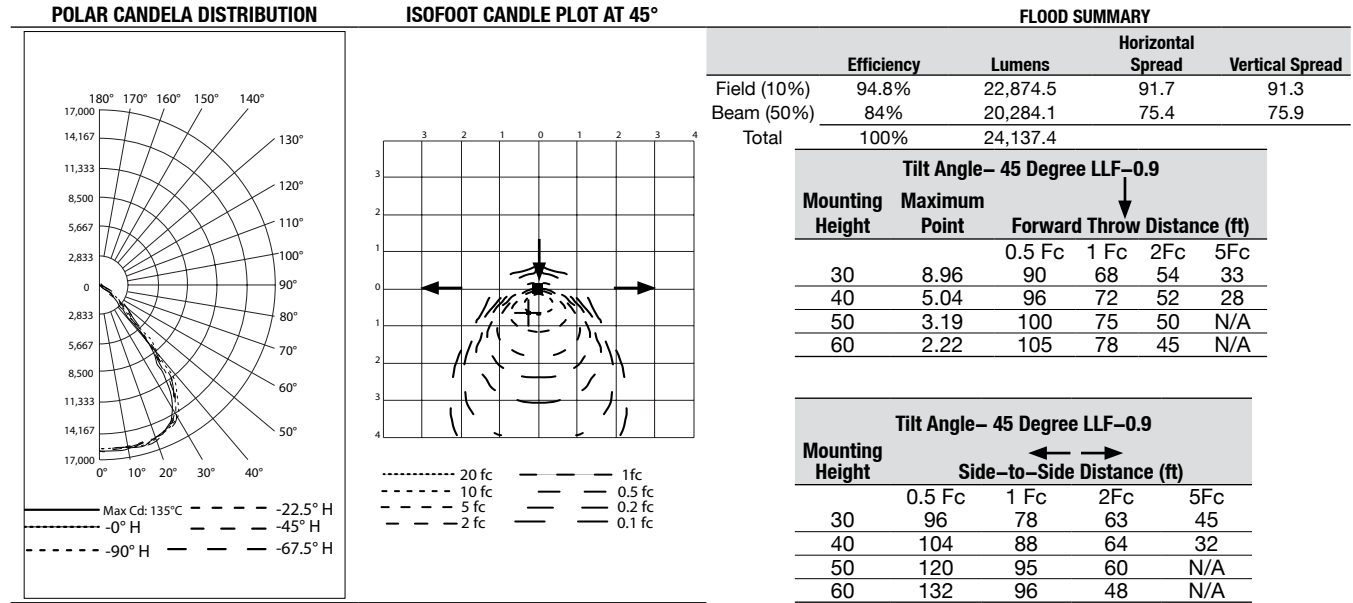
## Floodlight for Ordinary Locations

**NEC/CEC:**  
 Marine outside type (salt water) for USA Only  
 Wet locations  
 Type 3R, 4, 4X  
 IP66/67

### Photometric Data – DATA SHOWN IS ABSOLUTE

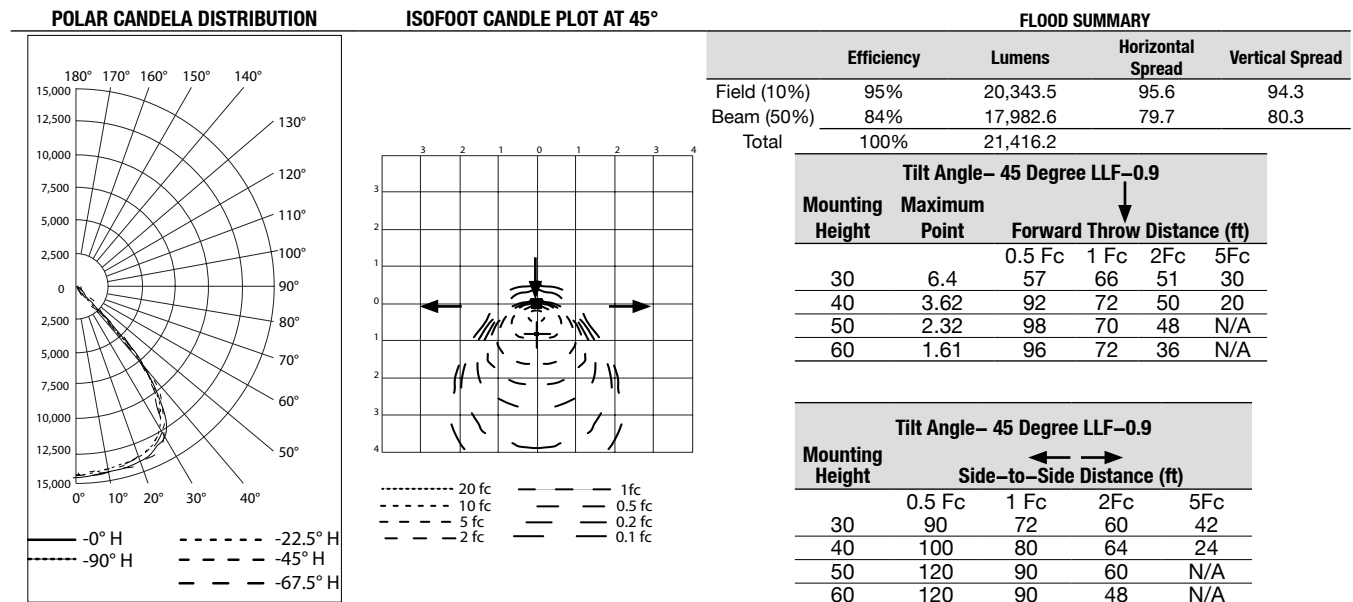
**NEMA 5x5, Clear Glass**  
 REPORT NUMBER: **IAMLHL1CG5BU**

Luminaire Lumens 24,140



**NEMA 5x5, Clear Glass**  
 REPORT NUMBER: **IAMLHL1WG5BU**

Luminaire Lumens 21,416



# Industrial Areamaster™ Generation 2 HL LED Luminaire

## Floodlight for Ordinary Locations

**NEC/CEC:**

Marine outside type (salt water) for USA Only  
 Wet locations  
 Type 3R, 4, 4X  
 IP66/67

**Photometric Data – DATA SHOWN IS ABSOLUTE**

NEMA 5x5, Clear Glass

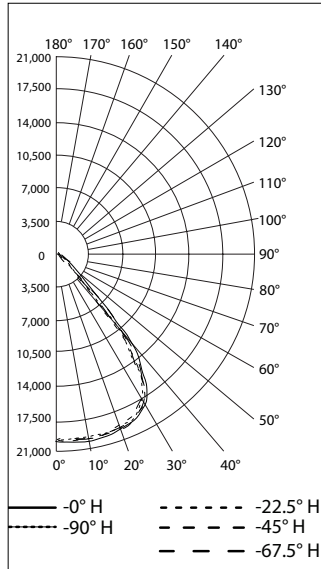
REPORT NUMBER: IAMLHL2CG5BU

Luminaire Lumens 30,068

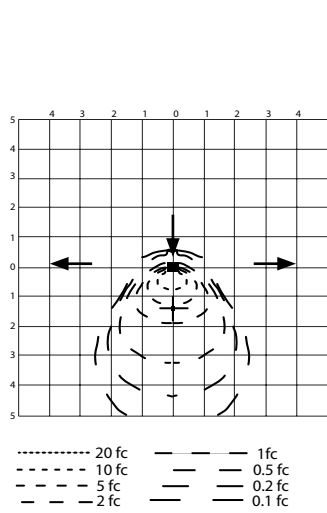
LED/FLOODLIGHTS: NEC/CEC ORDINARY LOCATION

Appleton

**POLAR CANDELA DISTRIBUTION**



**ISOFOOT CANDLE PLOT AT 45°**



**FLOOD SUMMARY**

	Efficiency	Lumens	Horizontal Spread	Vertical Spread
Field (10%)	94.6%	28,436.7	95.8	93.5
Beam (50%)	83.6%	25,124.4	78.8	79.8
Total	100%	30,069.5		

Mounting Height	Maximum Point	Forward Throw Distance (ft)			
		0.5 Fc	1 Fc	2Fc	5Fc
30	3.84	96	75	57	36
40	2.15	104	80	60	32
50	1.38	110	85	60	25
60	0.97	117	90	54	N/A

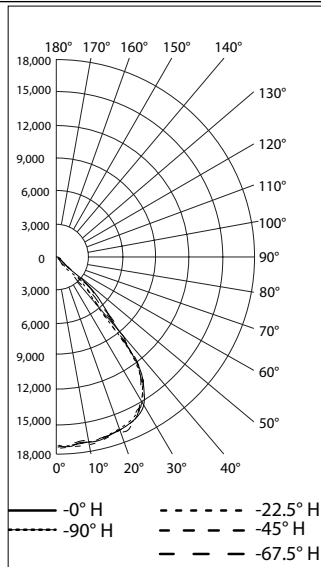
Mounting Height	Side-to-Side Distance (ft)			
	0.5 Fc	1 Fc	2Fc	5Fc
30	102	84	61	48
40	112	96	72	40
50	130	100	80	30
60	144	108	72	N/A

NEMA 5x5, Clear Glass

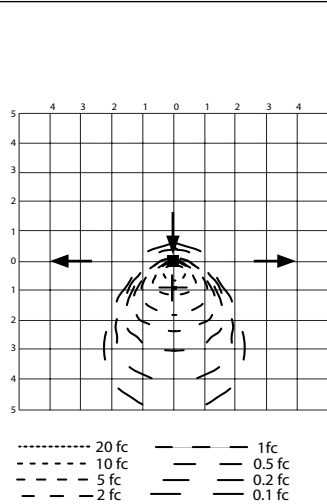
REPORT NUMBER: IAMLHL2WG5BU

Luminaire Lumens 25.490

**POLAR CANDELA DISTRIBUTION**



**ISOFOOT CANDLE PLOT AT 45°**



**FLOOD SUMMARY**

	Efficiency	Lumens	Horizontal Spread	Vertical Spread
Field (10%)	94.9%	24,197.1	95.5	93.5
Beam (50%)	84.5%	21,539.9	80	79.7
Total	100%	25,489.8		

Mounting Height	Maximum Point	Forward Throw Distance (ft)			
		0.5 Fc	1 Fc	2Fc	5Fc
30	6.94	93	69	54	33
40	3.85	100	76	56	28
50	2.46	103	75	50	N/A
60	1.71	108	78	48	N/A

Mounting Height	Side-to-Side Distance (ft)			
	0.5 Fc	1 Fc	2Fc	5Fc
30	96	78	61	48
40	104	88	72	32
50	120	100	75	N/A
60	132	96	60	N/A

# Industrial Areamaster™ Generation 2 HL LED Luminaire

## Floodlight for Ordinary Locations

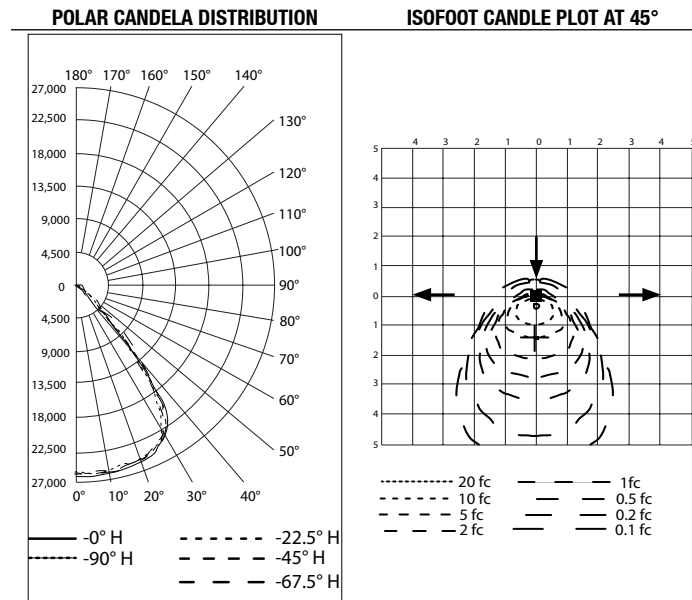
NEC/CEC:  
 Marine outside type (salt water) for USA Only  
 Wet locations  
 Type 3R, 4, 4X  
 IP66/67

### Photometric Data – DATA SHOWN IS ABSOLUTE

NEMA 5x5, Clear Glass

REPORT NUMBER: IAMLHL3CG5BU

Luminaire Lumens 38,350



FLOOD SUMMARY				
	Efficiency	Lumens	Horizontal Spread	Vertical Spread
Field (10%)	95.3%	36,528.8	89.8	92.9
Beam (50%)	84.4%	32,367.7	73.5	79.7
Total	100%	38,348.7		

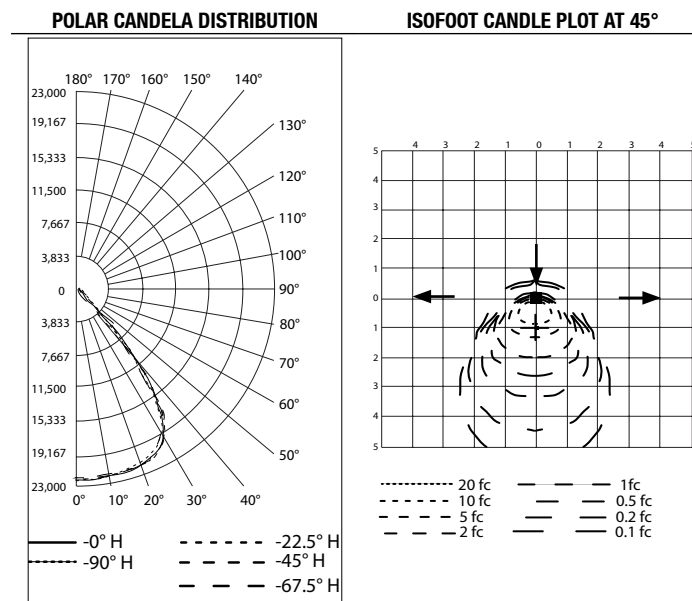
Tilt Angle– 45 Degree LLF–0.9					
Mounting Height	Maximum Point	Forward Throw Distance (ft)			
		0.5 Fc	1 Fc	2Fc	5Fc
30	4.96	105	84	63	42
40	2.78	116	88	68	40
50	1.78	110	85	60	25
60	1.23	126	96	66	18

Tilt Angle– 45 Degree LLF–0.9				
Mounting Height	Side-to-Side Distance (ft)			
	0.5 Fc	1 Fc	2Fc	5Fc
30	108	90	72	54
40	120	100	80	48
50	130	100	80	30
60	144	120	84	12

NEMA 5x5, Clear Glass

REPORT NUMBER: IAMLHL3WG5BU

Luminaire Lumens 32,835



FLOOD SUMMARY				
	Efficiency	Lumens	Horizontal Spread	Vertical Spread
Field (10%)	95%	31,186.0	96.1	93.5
Beam (50%)	84%	27,593.2	80.4	79.8
Total	100%	32,832.0		

Tilt Angle– 45 Degree LLF–0.9					
Mounting Height	Maximum Point	Forward Throw Distance (ft)			
		0.5 Fc	1 Fc	2Fc	5Fc
30	7.95	99	81	60	39
40	4.4	112	84	60	36
50	2.82	110	90	60	25
60	1.96	120	90	60	N/A

Tilt Angle– 45 Degree LLF–0.9				
Mounting Height	Side-to-Side Distance (ft)			
	0.5 Fc	1 Fc	2Fc	5Fc
30	108	96	66	54
40	120	96	80	40
50	130	100	80	30
60	132	114	72	N/A

# Industrial Areamaster™ Generation 2 HL LED Luminaire

## Floodlight for Ordinary Locations

NEC/CEC:  
 Marine outside type (salt water) for USA Only  
 Wet locations  
 Type 3R, 4, 4X  
 IP66/67

### Photometric Data – DATA SHOWN IS ABSOLUTE

NEMA 7x6 Clear Glass

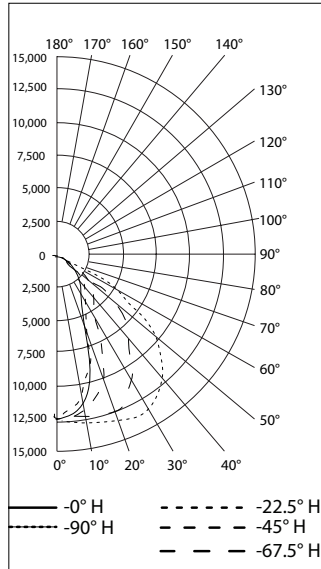
REPORT NUMBER: IAMLHL1CG7BU

Luminaire Lumens 22,661

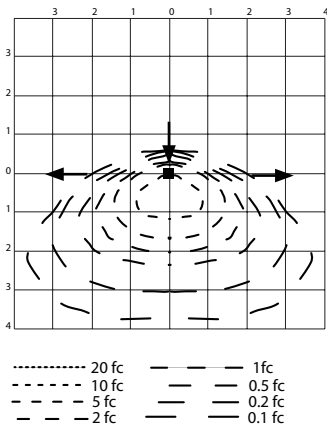
LED/FLOODLIGHTS: NEC/CEC ORDINARY LOCATION

Appleton

#### POLAR CANDELA DISTRIBUTION



#### ISOFOOT CANDLE PLOT AT 45°



#### FLOOD SUMMARY

	Efficiency	Lumens	Horizontal Spread	Vertical Spread
Field (10%)	95.8%	21,708.2	134.1	111.1
Beam (50%)	61.4%	13,911.6	118.5	44.9
Total	100%	22,657.0		

Mounting Height	Maximum Point	Tilt Angle– 45 Degree LLF–0.9 Forward Throw Distance (ft)			
		0.5 Fc	1 Fc	2Fc	5Fc
30	3.64	63	57	45	29
40	2.08	76	64	48	N/A
50	1.33	85	65	40	N/A
60	0.93	90	66	N/A	N/A

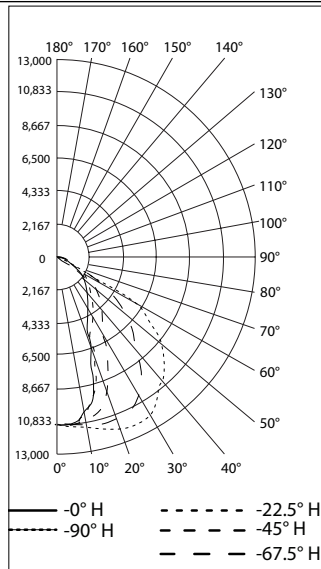
Mounting Height	Maximum Point	Tilt Angle– 45 Degree LLF–0.9 Side-to-Side Distance (ft)			
		0.5 Fc	1 Fc	2Fc	5Fc
30	126	108	75	42	
40	144	104	72	N/A	
50	150	100	50	N/A	
60	150	96	N/A	N/A	

NEMA 7x6 Clear Glass

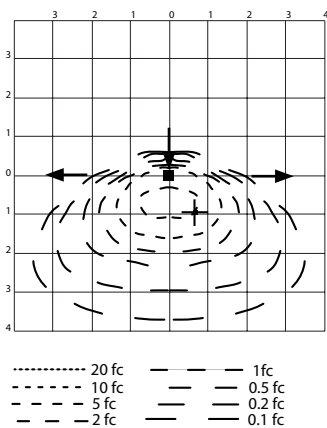
REPORT NUMBER: IAMLHL1WG7BU

Luminaire Lumens 19,753

#### POLAR CANDELA DISTRIBUTION



#### ISOFOOT CANDLE PLOT AT 45°



#### FLOOD SUMMARY

	Efficiency	Lumens	Horizontal Spread	Vertical Spread
Field (10%)	95.8%	18,919.3	134.7	111.5
Beam (50%)	61.1%	12,060.3	117.9	45.1
Total	100%	19,750.3		

Mounting Height	Maximum Point	Tilt Angle– 45 Degree LLF–0.9 Forward Throw Distance (ft)			
		0.5 Fc	1 Fc	2Fc	5Fc
30	3.26	63	54	45	27
40	1.78	72	62	42	N/A
50	1.16	80	62	35	N/A
60	0.81	90	60	NA	N/A

Mounting Height	Maximum Point	Tilt Angle– 45 Degree LLF–0.9 Side-to-Side Distance (ft)			
		0.5 Fc	1 Fc	2Fc	5Fc
30	120	90	70	25	
40	130	100	60	N/A	
50	140	90	20	N/A	
60	140	80	NA	N/A	

# Industrial Areamaster™ Generation 2 HL LED Luminaire

## Floodlight for Ordinary Locations

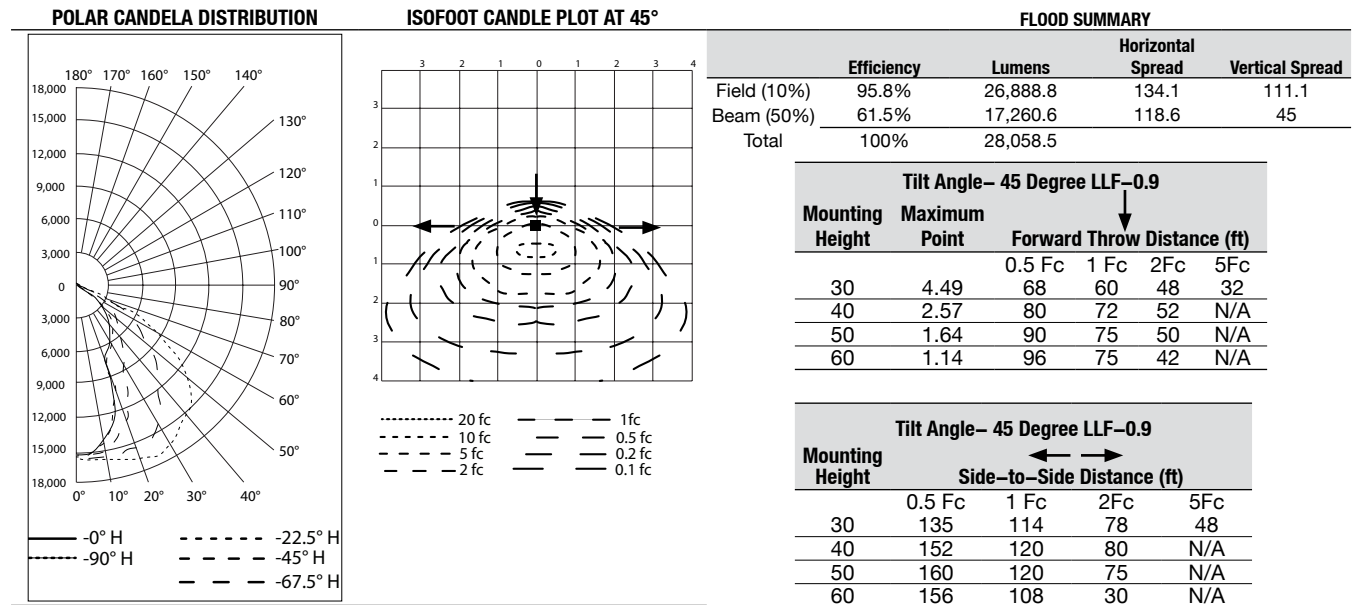
NEC/CEC:  
 Marine outside type (salt water) for USA Only  
 Wet locations  
 Type 3R, 4, 4X  
 IP66/67

### Photometric Data – DATA SHOWN IS ABSOLUTE

NEMA 7x6 Clear Glass

REPORT NUMBER: IAMLHL2CG7BU

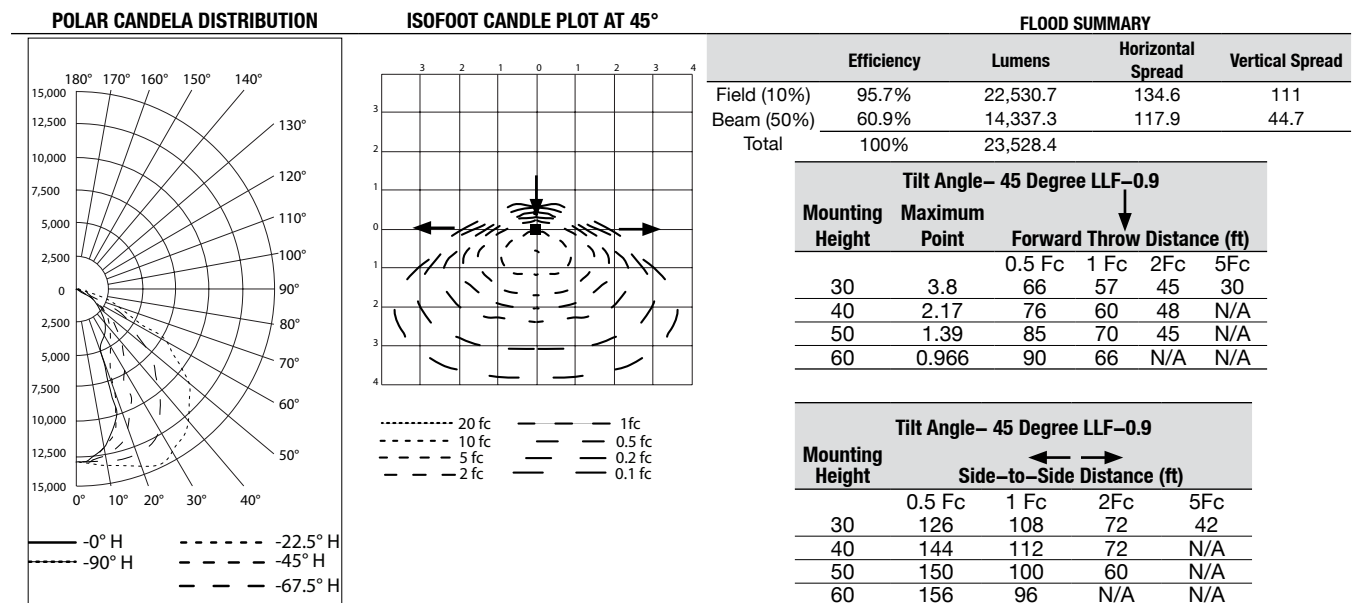
Luminaire Lumens 28,063



NEMA 7x6 Clear Glass

REPORT NUMBER: IAMLHL2WG7BU

Luminaire Lumens 23,532



# Industrial Areamaster™ Generation 2 HL LED Luminaire

## Floodlight for Ordinary Locations

NEC/CEC:  
 Marine outside type (salt water) for USA Only  
 Wet locations  
 Type 3R, 4, 4X  
 IP66/67

### Photometric Data — DATA SHOWN IS ABSOLUTE

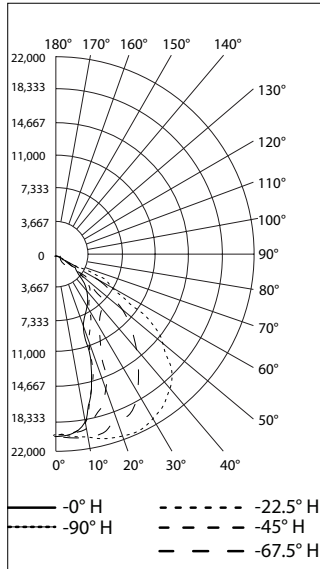
NEMA 7x6 Clear Glass

REPORT NUMBER: IAMLHL3CG7BU

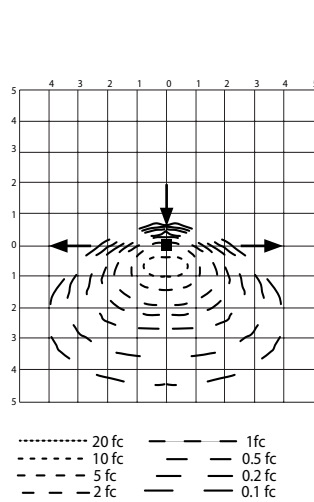
Luminaire Lumens 35,430

LED/FLOODLIGHTS: NEC/CEC ORDINARY LOCATION

#### POLAR CANDELA DISTRIBUTION



#### ISOFOOT CANDLE PLOT AT 45°



#### FLOOD SUMMARY

	Efficiency	Lumens	Horizontal Spread	Vertical Spread
Field (10%)	95.7%	33,908.8	139	111.1
Beam (50%)	60.9%	21,578.5	115.4	45.6
Total	100%	35,424.1		

Mounting Height	Maximum Point	Forward Throw Distance (ft)			
		0.5 Fc	1 Fc	2Fc	5Fc
30	5.69	72	61.5	54	36
40	3.2	84	72	56	32
50	2.05	95	80	60	N/A
60	1.42	105	78	54	N/A

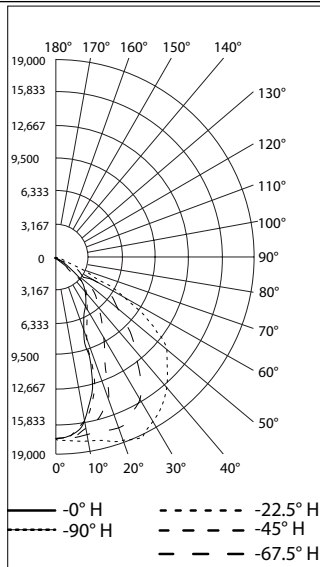
Mounting Height	Side-to-Side Distance (ft)			
	0.5 Fc	1 Fc	2Fc	5Fc
30	138	120	90	60
40	160	120	88	40
50	180	130	90	N/A
60	180	132	72	N/A

NEMA 7x6 Clear Glass

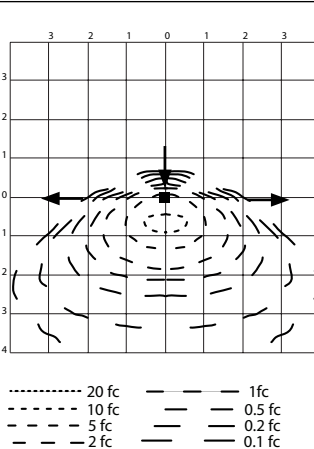
REPORT NUMBER: IAMLHL3WG7BU

Luminaire Lumens 30,346

#### POLAR CANDELA DISTRIBUTION



#### ISOFOOT CANDLE PLOT AT 45°



#### FLOOD SUMMARY

	Efficiency	Lumens	Horizontal Spread	Vertical Spread
Field (10%)	95%	31,186.0	96.1	93.5
Beam (50%)	84%	27,593.2	80.4	79.8
Total	100%	32,832.0		

Mounting Height	Maximum Point	Forward Throw Distance (ft)			
		0.5 Fc	1 Fc	2Fc	5Fc
30	4.99	69	60	54	33
40	2.81	82	72	52	28
50	1.79	90	75	55	N/A
60	1.25	96	75	48	N/A

Mounting Height	Side-to-Side Distance (ft)			
	0.5 Fc	1 Fc	2Fc	5Fc
30	135	114	84	54
40	160	120	80	8
50	160	120	75	N/A
60	168	120	60	N/A

# Industrial Areamaster™ Generation 2 HL LED Luminaire

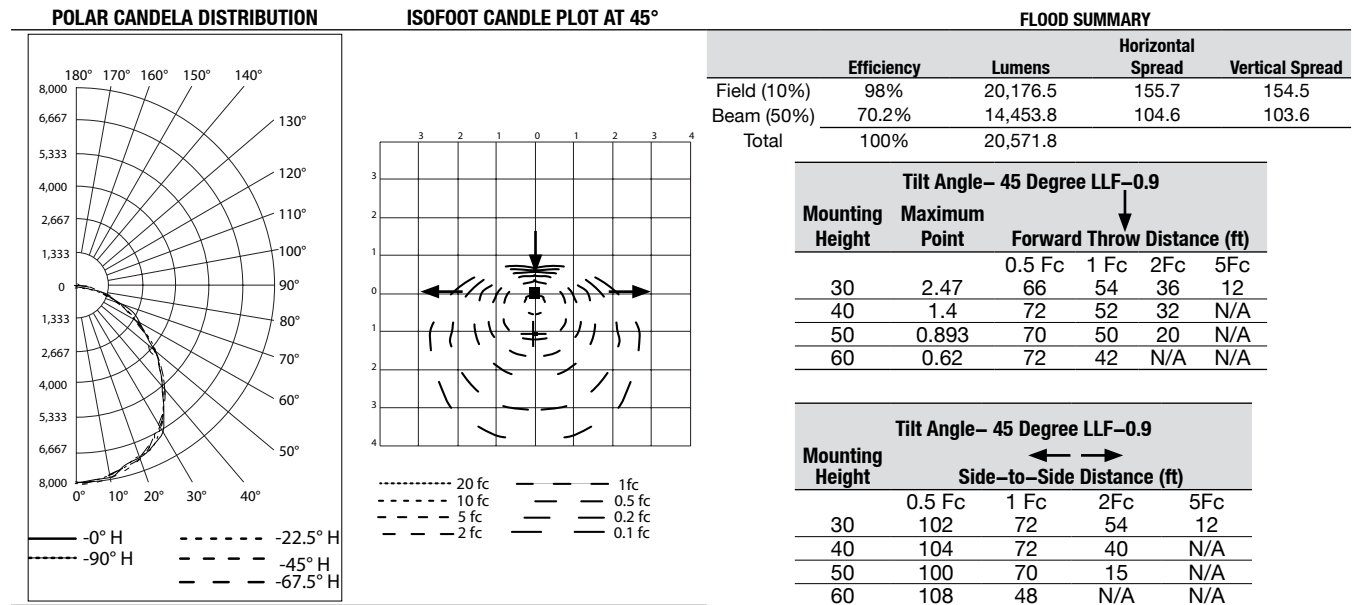
## Floodlight for Ordinary Locations

NEC/CEC:  
 Marine outside type (salt water) for USA Only  
 Wet locations  
 Type 3R, 4, 4X  
 IP66/67

### Photometric Data – DATA SHOWN IS ABSOLUTE

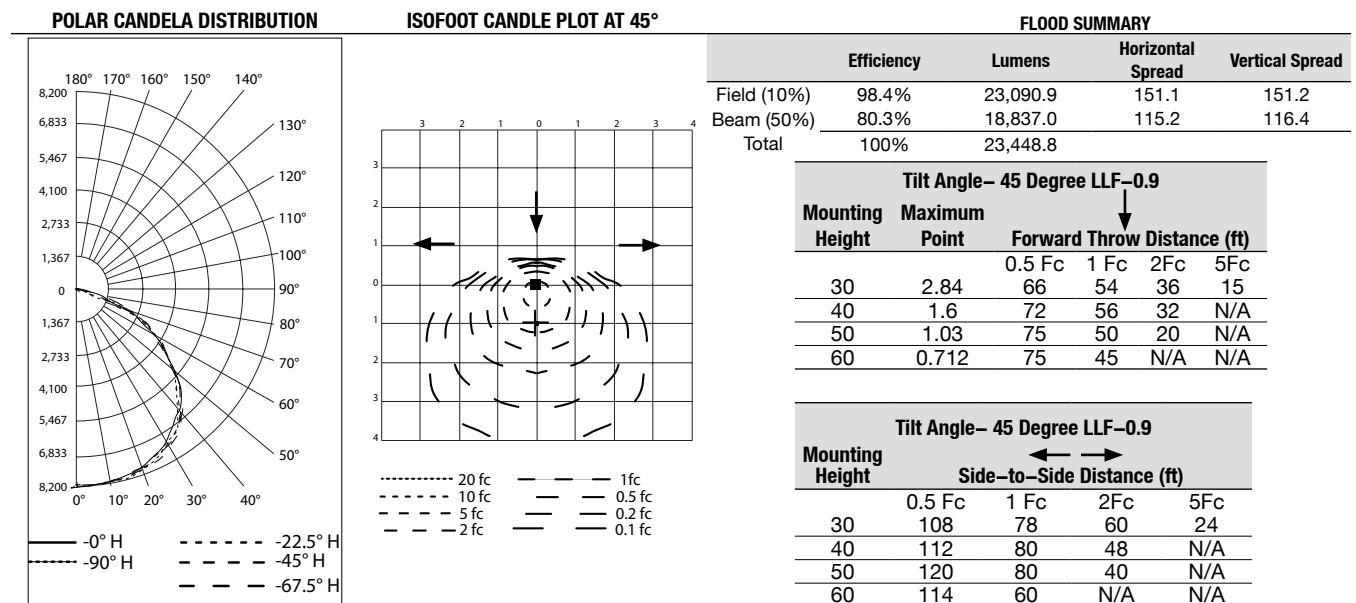
NEMA 7x7 Diffused Glass  
 REPORT NUMBER: IAMLHL1CF6BU

Luminaire Lumens 20,578



NEMA 7x7 Clear Glass  
 REPORT NUMBER: IAMLHL1CG6BU rotated

Luminaire Lumens 23,457





# Industrial Areamaster™ Generation 2 HL LED Luminaire

## Floodlight for Ordinary Locations

**NEC/CEC:**

Marine outside type (salt water) for USA Only  
 Wet locations  
 Type 3R, 4, 4X  
 IP66/67

**Photometric Data – DATA SHOWN IS ABSOLUTE**

**NEMA 7x7 Diffused Glass**

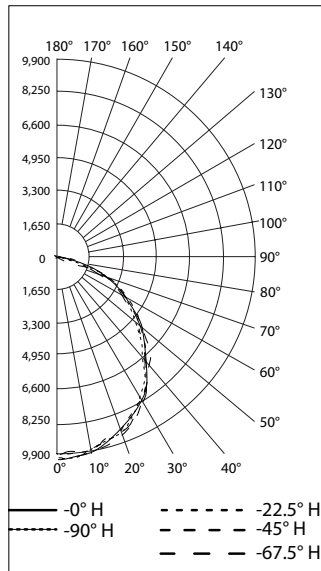
REPORT NUMBER: **IAMLHL2CF6BU**

Luminaire Lumens 25,616

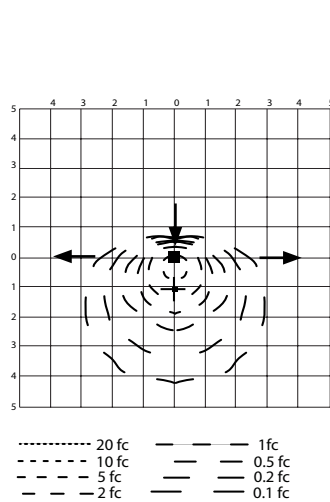
LED/FLOODLIGHTS: NEC/CEC ORDINARY LOCATION

Appleton

**POLAR CANDELA DISTRIBUTION**



**ISOFOOT CANDLE PLOT AT 45°**



**FLOOD SUMMARY**

	Efficiency	Lumens	Horizontal Spread	Vertical Spread
Field (10%)	98.1%	25,135.5	155.9	154.5
Beam (50%)	69.9%	17,911.8	104.6	103.7
Total	100%	25,609.0		

**Tilt Angle– 45 Degree LLF–0.9**

Mounting Height	Maximum Point	Forward Throw Distance (ft)			
		0.5 Fc	1 Fc	2Fc	5Fc
30	3.07	72	57	39	21
40	1.7	80	56	40	N/A
50	1.09	80	60	30	N/A
60	0.76	78	54	N/A	N/A

**Tilt Angle– 45 Degree LLF–0.9**

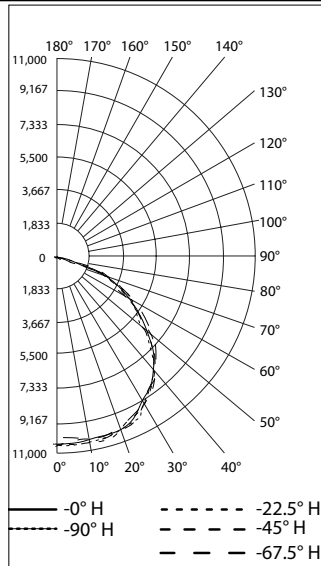
Mounting Height	Side-to-Side Distance (ft)			
	0.5 Fc	1 Fc	2Fc	5Fc
30	108	78	60	24
40	112	80	56	N/A
50	120	80	50	N/A
60	120	60	N/A	N/A

**NEMA 7x7 Clear Glass**

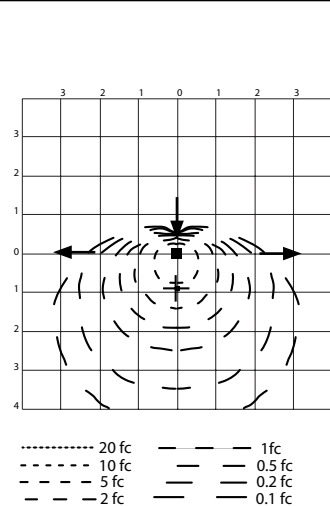
REPORT NUMBER: **IAMLHL2CG6BU**

Luminaire Lumens 30,157

**POLAR CANDELA DISTRIBUTION**



**ISOFOOT CANDLE PLOT AT 45°**



**FLOOD SUMMARY**

	Efficiency	Lumens	Horizontal Spread	Vertical Spread
Field (10%)	98.2%	29,616.7	151.4	145.9
Beam (50%)	81.2%	24,501.2	116.8	117.7
Total	100%	30,147.4		

**Tilt Angle– 45 Degree LLF–0.9**

Mounting Height	Maximum Point	Forward Throw Distance (ft)			
		0.5 Fc	1 Fc	2Fc	5Fc
30	4.17	75	57	42	24
40	2.35	80	60	40	N/A
50	1.49	80	60	30	N/A
60	1.04	84	54	24	N/A

**Tilt Angle– 45 Degree LLF–0.9**

Mounting Height	Side-to-Side Distance (ft)			
	0.5 Fc	1 Fc	2Fc	5Fc
30	114	84	63	30
40	120	88	64	N/A
50	120	80	50	N/A
60	120	72	30	N/A



# Industrial Areamaster™ Generation 2 HL LED Luminaire

## Floodlight for Ordinary Locations

**NEC/CEC:**

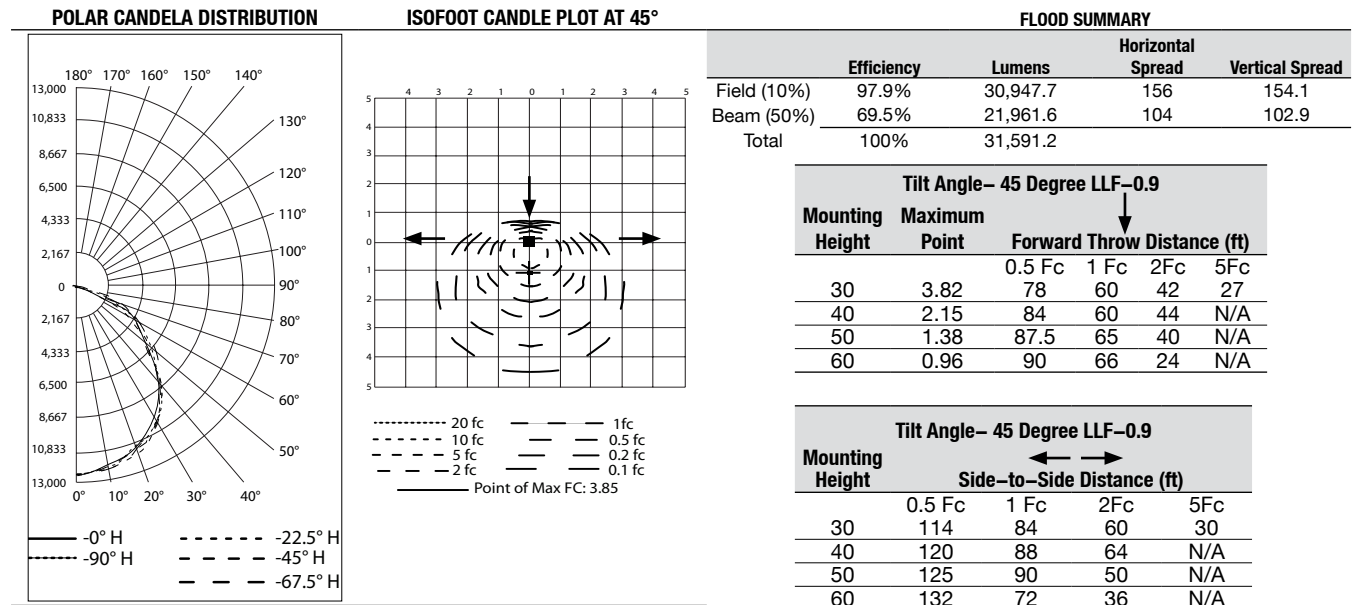
Marine outside type (salt water) for USA Only  
 Wet locations  
 Type 3R, 4, 4X  
 IP66/67

**Photometric Data – DATA SHOWN IS ABSOLUTE**

**NEMA 7x7 Diffused Glass**

REPORT NUMBER: **IAMLHL3CF6BU rotated**

Luminaire Lumens 31,600



**NEMA 7x7 Clear Glass**

REPORT NUMBER: **IAMLHL3CG6BU rotated**

Luminaire Lumens 37,039

