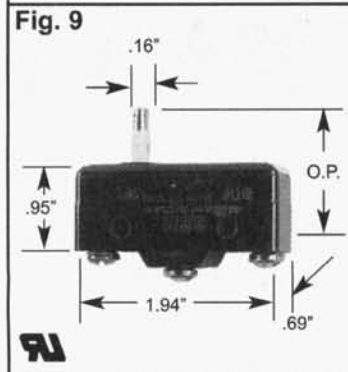
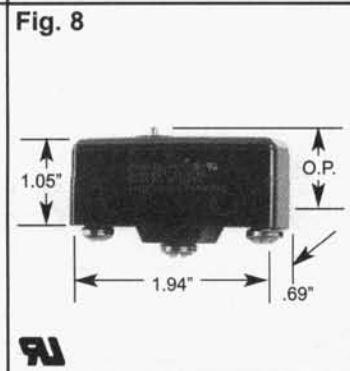
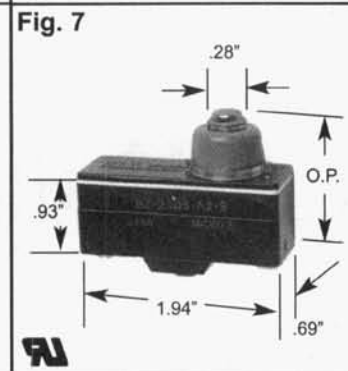
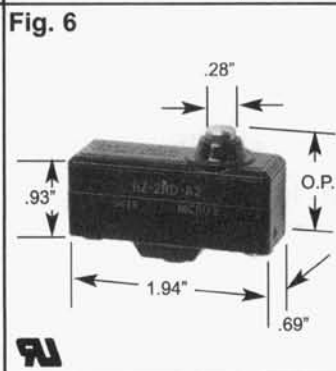
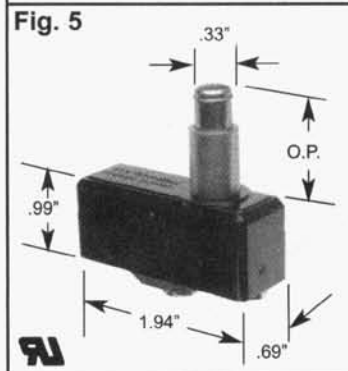
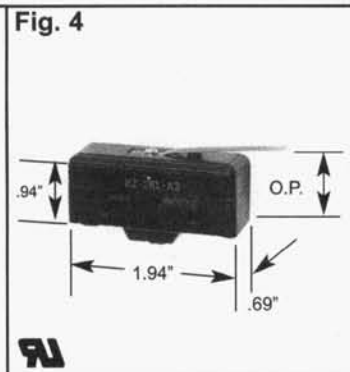
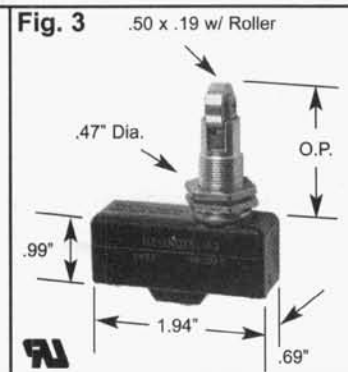
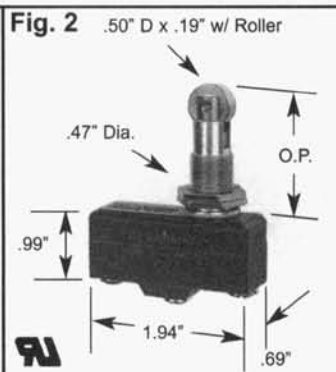
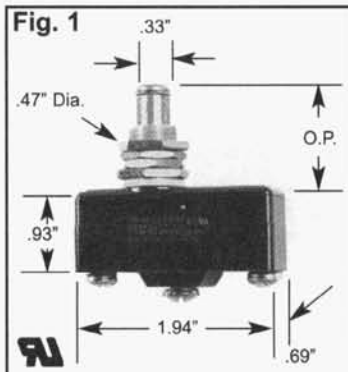
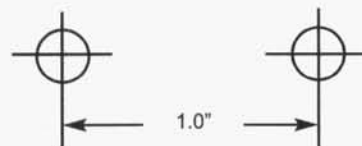


BZ Basic Precision Switches



Mounting Hole Dimension:



Actuator Style	Ratings	O.F. (Oz)	R.F. (Oz)	P.T. Max (in)	O.T. Min. (in)	D.T. (in)	O.P. (in)	Part Number*	Fig. No.
15/32" 32NS Bushing Mount Overtravel Plunger	15 Amps ¹	9 - 13	4	.015	.219	.0004 - .0020	.859±.030	BZ-2RQ1-A2	1
15/32" 32NS Bushing Mount Overtravel Roller Plunger	15 Amps ¹	9 - 13	4	.015	.140	.0004 - .0020	1.312±.045	BZ-2RQ18-A2	2
15/32" 32NS Bushing Mount Overtravel Cross Roller Plunger	15 Amps ¹	9 - 13	4	.015	.140	.0004 - .0020	1.312±.045	BZ-2RQ181-A2	3
Flexible Leaf	15 Amps ¹	5	0.5	----	.060	.050	.688±.030	BZ-2RL-A2	4
Overtravel Plunger	15 Amps ¹	9 - 13	4	.015	.219	.0004 - .0020	1.500±.020	BZ-2RQ-A2	5
Large Overtravel Plunger	15 Amps ¹	9 - 13	4	.015	.060	.0004 - .0020	.835±.020	BZ-2RD-A2	6
Large Sealed Overtravel Plunger	15 Amps ¹	13 - 19	4	----	.062	.0004 - .0025	1.110±.020	BZ-2RDS-A2-S	7
Pin Plunger	15 Amps ¹	9 - 13	4	.015	.005	.0004 - .0020	.625±.015	BZ-2R-A2	8
Small Overtravel Plunger	15 Amps ¹	9 - 13	4	.015	.060	.0004 - .0025	1.110±.020	BZ-2RS-A2	9

CHARACTERISTICS:
O.F. - Operating Force; R.F. - Release Force; P.T. - Pretravel; O.T. - Overtravel; D.T. - Differential Travel; O.P. - Operating Position.
1 SPDT; UL Rating: 5 Amps, 250 VAC.

* **TERMINATION:**
A2 Bottom facing 6-32 NC x .218" screw with cup washers.