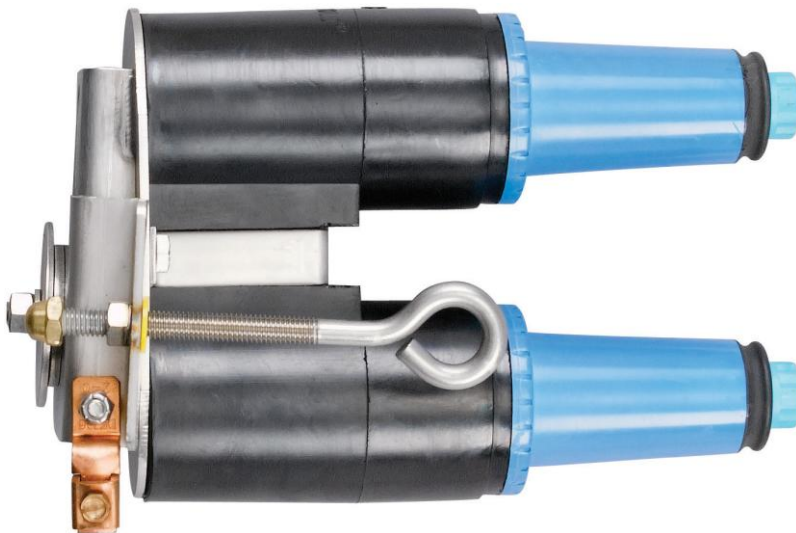


25kV	200A Loadbreak Adjustable Feed-Thru	274FT2-AB
------	-------------------------------------	-----------



Note: Blue PBT Interface Shield available soon

Features:

- 25kV, 200 Amp Loadbreak Rated
- Uses integral parking stand mount
- Provide extra tap for elbow arrester connection
- Peroxide-cured insulation and jacket
- Adjustable bracket for best positioning
- Optional accessories allow by-pass, isolation, testing, and grounding

274FT2-AB Loadbreak Adjustable Feed-Thru

Applications:

The Elastimold® 274FT2-AB feed-thru is a fully shielded, fully submersible insulated connector designed for energized operation. It is suitable for use on 25kV class loadbreak systems. When used in conjunction with 25kV class elbow connectors, the 274FT2-AB provides the circuit with the loadbreak junction point. Testing and grounding of the circuit is accomplished when the 274FT2-AB is used in conjunction with the 370TR and 370GLR. When used in conjunction with a 273DRG/274DRG, the 274FT2-AB can be used to isolate and “dead-end” the circuit. The 274FT2-AB adjustable bracket allows the parking stand attachment to be adjusted left and right and the feed-thru tilt to facilitate the best operating placement. The 274FT2-AB will function as either a 274FT or a 274FTV. The 274FT2-AB is designed to mate with the following Elastimold® products:

- 25kV Family of Elbow Connectors
- 370TR test rod
- 370GLR grounding elbow
- 273DR/274DRG insulated cap

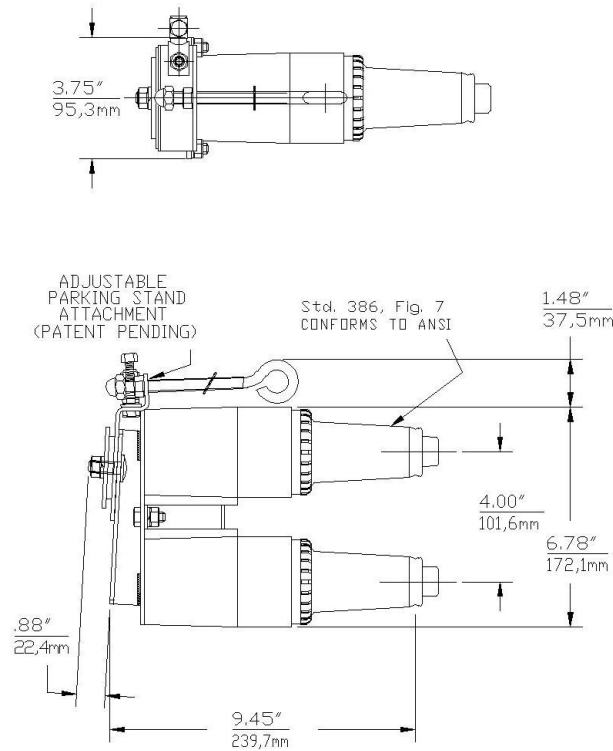
Ratings:

Meets ANSI/IEEE Standard 386, Latest Revision

For 25kV Voltage Class:

15.2kV Max Phase-to-Ground – Operating Voltage
 26.3kV Max Phase-to-Phase
 125kV BIL – Impulse Withstand (1.2 x 50 microsecond wave)
 40kV AC – One minute withstand
 78kV DC – 15 minutes withstand
 19kV AC – Corona Extinction @ 3pC sensitivity
 200 Amp – Continuous and Loadbreak
 10kA Sym – 10 Cycles Momentary & Fault Close

25kV	200A Loadbreak Adjustable Feed-Thru	274FT2-AB
------	--	-----------



Ordering Instructions:

To order, specify number **274FT2-AB** feed-thru.

Each kit contains the following:

- | | | |
|---|--------------------------|-----------|
| 1 | Feed-thru body | 274FT2-AB |
| 2 | Protective shipping cap | 2701-41 |
| 2 | Lubricant | 82-08 |
| 1 | Installation Instruction | IS-1102 |