

FLAT PLATE FITTINGS



FIG. 5000-5004

SQUARE WASHER

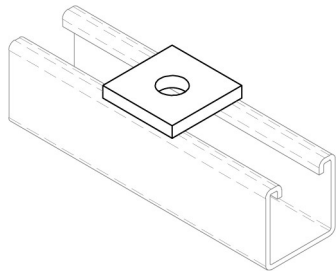


Fig. No.	Rod Size	Wt. Each	
		lbs.	kg
5000	1/4	.18	(.08)
5001	3/8	.17	(.08)
5002	1/2	.17	(.08)
5003	5/8	.16	(.07)
5004	3/4	.16	(.07)

FIG. 5005-5009

NO TURN SQUARE WASHER

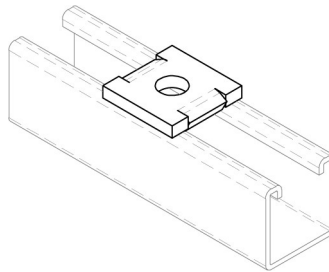
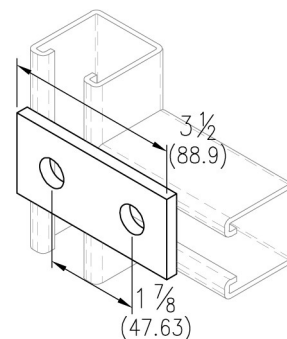


Fig. No.	Rod Size	Wt. Each	
		lbs.	kg
5005	1/4	.18	(.08)
5006	3/8	.17	(.08)
5007	1/2	.17	(.08)
5008	5/8	.16	(.07)
5009	3/4	.16	(.07)

FIG. 5010

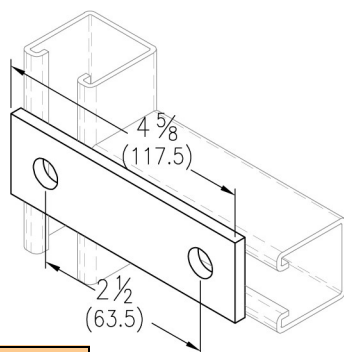
2-HOLE SPLICE PLATE



Wt. Each	
lbs.	kg
0.37	(0.17)

FIG. 5011

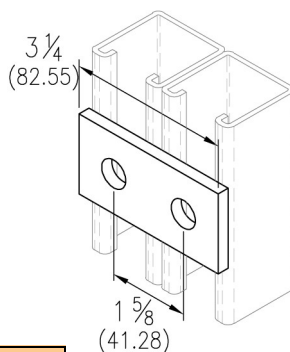
2-HOLE SPLICE PLATE



Wt. Each	
lbs.	kg
0.50	(0.23)

FIG. 5012

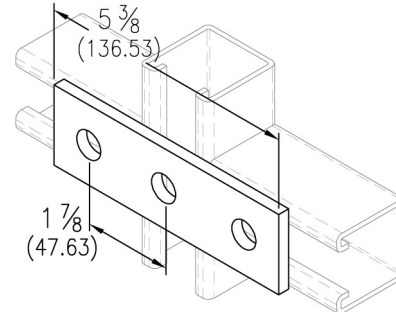
2-HOLE SPLICE PLATE



Wt. Each	
lbs.	kg
0.34	(0.15)

FIG. 5013

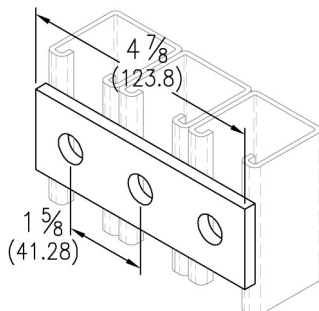
3-HOLE SPLICE PLATE



Wt. Each	
lbs.	kg
0.55	(0.25)

FIG. 5014

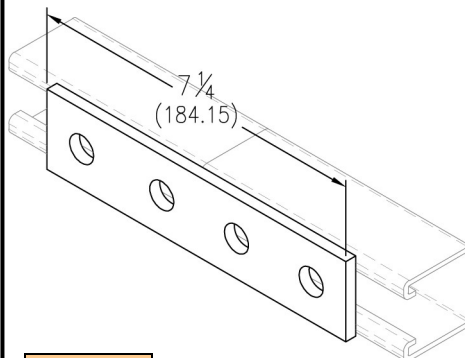
3-HOLE SPLICE PLATE



Wt. Each	
lbs.	kg
0.50	(0.23)

FIG. 5015

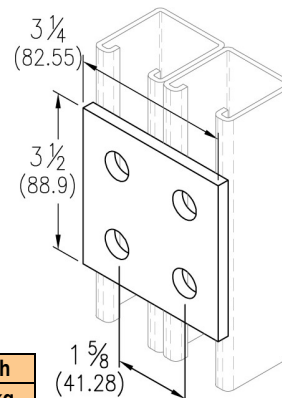
4-HOLE SPLICE PLATE



Wt. Each	
lbs.	kg
0.75	(0.34)

FIG. 5017

4-HOLE SPLICE PLATE



Wt. Each	
lbs.	kg
0.55	(0.25)

Standard Product Information for 1 5/8" (41.3) width series channel fittings (Unless Otherwise Noted)

Hole Diameter: 9/16" (14.3); Hole Spacing-From End: 1 3/16" (20.6); Hole Spacing-On Center: 1 7/8" (47.6); Width: 1 5/8" (41.3); Thickness: 1/4" (6.4)
 Material: Carbon steel (Type 304 or 316 Stainless Steel upon request); Finish: Electro-galvanized (hot-dip galvanized, e-coat, and powder coated upon request)
 Ordering: Specify figure number, material, and finish.

Unless otherwise specified, all dimensions on drawings and in charts are in inches and dimensions shown in parentheses are in millimeters.

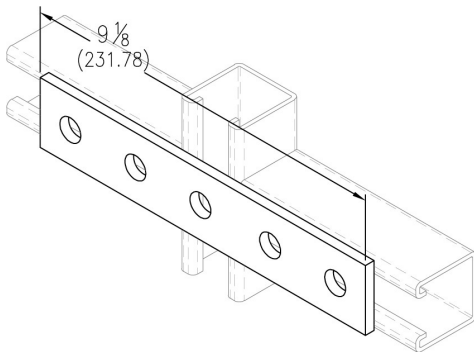
CHANNEL
 PIPE & CONDUIT SUPPORTS
 STRUT NUTS & HARDWARE
 CONCRETE INSERTS
 END CAPS & CLOSURES
 FLAT PLATE FITTINGS
 90° ANGLE FITTINGS
 ANGLE FITTINGS
 "U" FITTINGS
 "Z" FITTINGS
 WING FITTINGS
 SPECIALTY FITTINGS
 TROLLEY ASSEMBLIES
 POST BASES
 BRACKETS & BRACE FITTINGS
 BEAM CLAMPS
 ROOFTOP SUPPORTS



FLAT PLATE FITTINGS

FIG. 5019

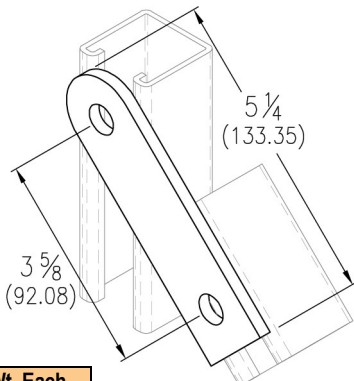
5-HOLE SPLICE PLATE



Wt. Each	
lbs.	kg
0.96	(0.44)

FIG. 5020

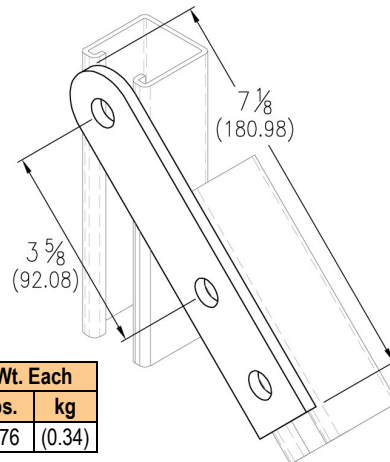
2-HOLE SWIVEL PLATE



Wt. Each	
lbs.	kg
0.56	(0.25)

FIG. 5023

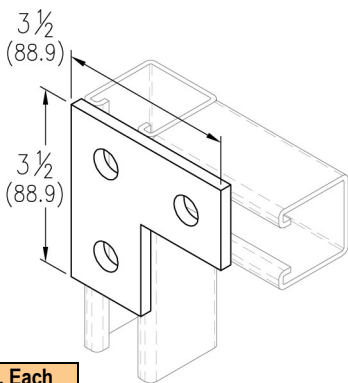
3-HOLE SWIVEL PLATE



Wt. Each	
lbs.	kg
0.76	(0.34)

FIG. 5025

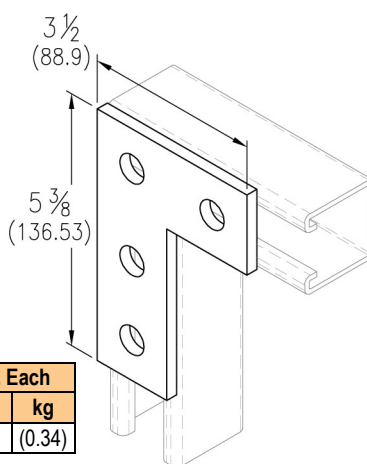
3-HOLE CORNER PLATE



Wt. Each	
lbs.	kg
0.58	(0.26)

FIG. 5030

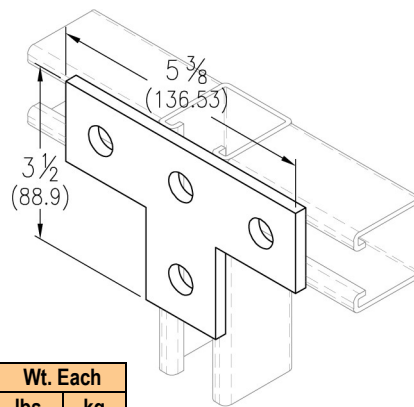
4-HOLE CORNER PLATE



Wt. Each	
lbs.	kg
0.75	(0.34)

FIG. 5035

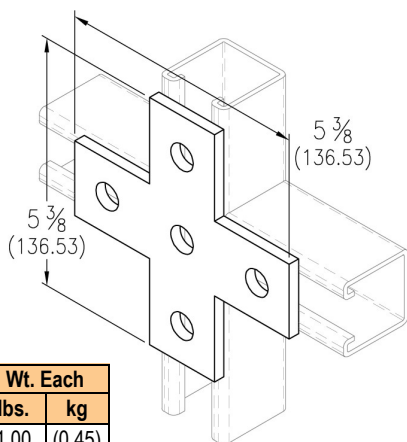
4-HOLE TEE PLATE



Wt. Each	
lbs.	kg
0.75	(0.34)

FIG. 5040

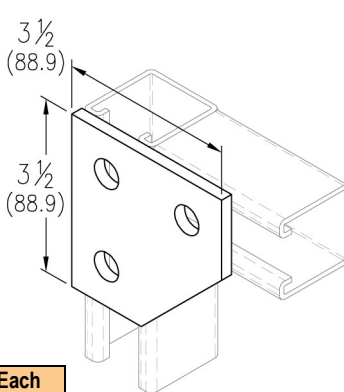
5-HOLE CROSS PLATE



Wt. Each	
lbs.	kg
1.00	(0.45)

FIG. 5045

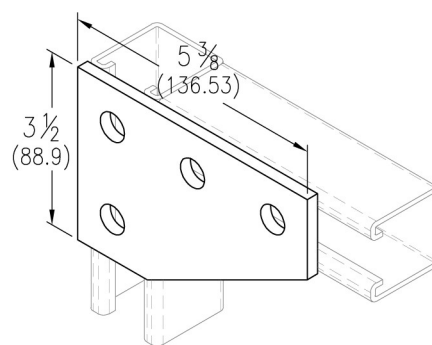
3-HOLE CORNER GUSSET PLATE



Wt. Each	
lbs.	kg
0.70	(0.32)

FIG. 5050

4-HOLE CORNER GUSSET PLATE



Wt. Each	
lbs.	kg
1.02	(0.46)

Standard Product Information for 1 1/8" (41.3) width series channel fittings (Unless Otherwise Noted)

Hole Diameter: 3/16" (14.3); Hole Spacing-From End: 1 3/16" (20.6); Hole Spacing-On Center: 1 7/8" (47.6); Width: 1 1/2" (41.3); Thickness: 1/4" (6.4)
 Material: Carbon steel (Type 304 or 316 Stainless Steel upon request); Finish: Electro-galvanized (hot-dip galvanized, e-coat, and powder coated upon request)
 Ordering: Specify figure number, material, and finish.

Unless otherwise specified, all dimensions on drawings and in charts are in inches and dimensions shown in parentheses are in millimeters.

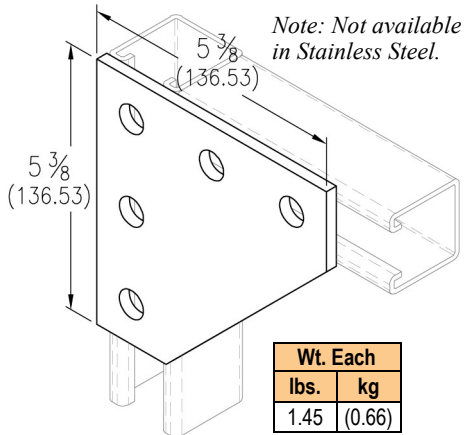
FLAT PLATE FITTINGS



CHANNEL
PIPE & CONDUIT SUPPORTS
STRUT NUTS & HARDWARE
CONCRETE INSERTS
END CAPS & CLOSURES
FLAT PLATE FITTINGS
90° ANGLE FITTINGS
ANGLE FITTINGS
"U" FITTINGS
"Z" FITTINGS
WING FITTINGS
SPECIALTY FITTINGS
TROLLEY ASSEMBLIES
POST BASES
BRACKETS & BRACE FITTINGS
BEAM CLAMPS
ROOFTOP SUPPORTS

FIG. 5060

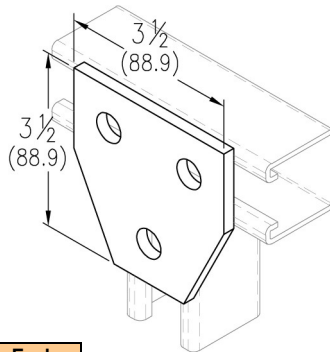
5-HOLE CORNER GUSSET PLATE



Wt. Each	
lbs.	kg
1.45	(0.66)

FIG. 5065

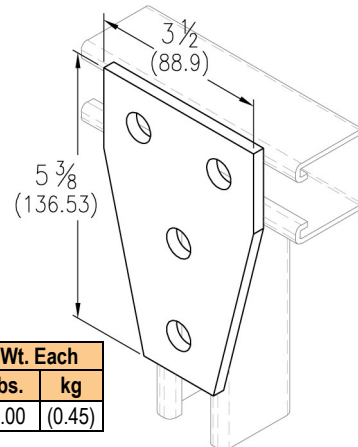
3-HOLE TEE GUSSET PLATE



Wt. Each	
lbs.	kg
0.70	(0.32)

FIG. 5075

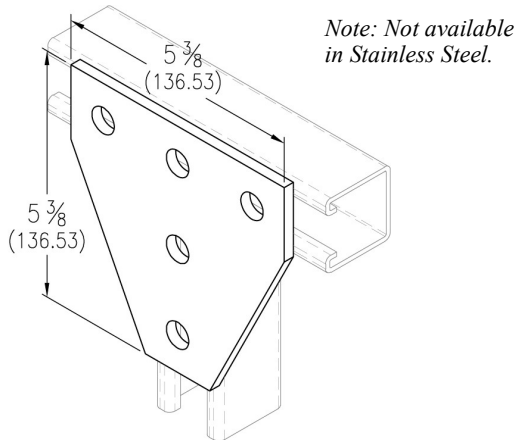
4-HOLE TEE GUSSET PLATE



Wt. Each	
lbs.	kg
1.00	(0.45)

FIG. 5080

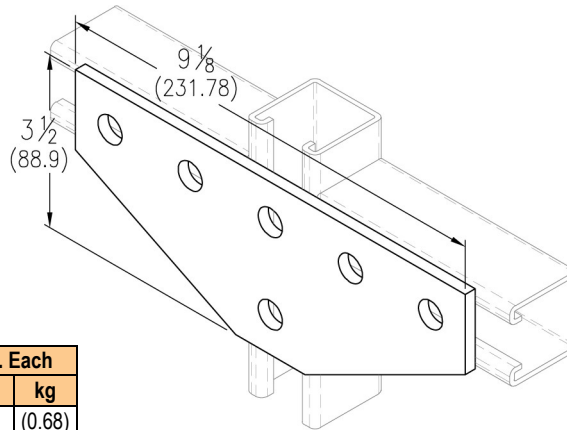
5-HOLE TEE GUSSET PLATE



Wt. Each	
lbs.	kg
1.43	(0.65)

FIG. 5085

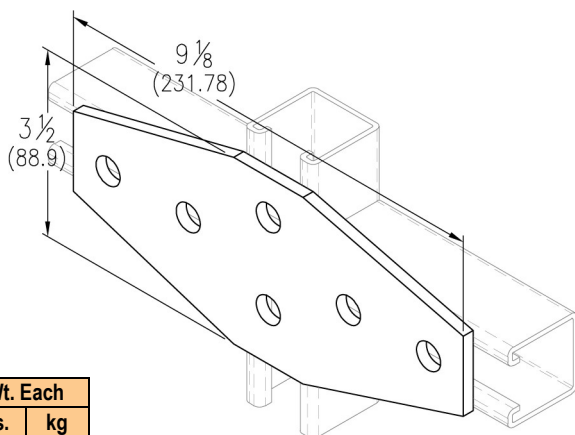
6-HOLE TEE GUSSET PLATE



Wt. Each	
lbs.	kg
1.49	(0.68)

FIG. 5090

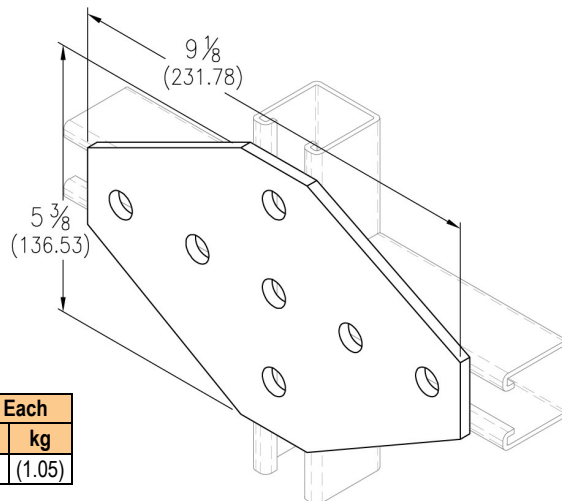
6-HOLE CROSS GUSSET PLATE



Wt. Each	
lbs.	kg
1.66	(0.75)

FIG. 5095

7-HOLE CROSS GUSSET PLATE



Wt. Each	
lbs.	kg
2.32	(1.05)

Standard Product Information for 1 5/8" (41.3) width series channel fittings (Unless Otherwise Noted)

Hole Diameter: 9/16" (14.3); Hole Spacing-From End: 1 1/16" (20.6); Hole Spacing-On Center: 1 1/8" (47.6); Width: 1 5/8" (41.3); Thickness: 1/4" (6.4)
Material: Carbon steel (Type 304 or 316 Stainless Steel upon request); Finish: Electro-galvanized (hot-dip galvanized, e-coat, and powder coated upon request)
Ordering: Specify figure number, material, and finish.

Unless otherwise specified, all dimensions on drawings and in charts are in inches and dimensions shown in parentheses are in millimeters.