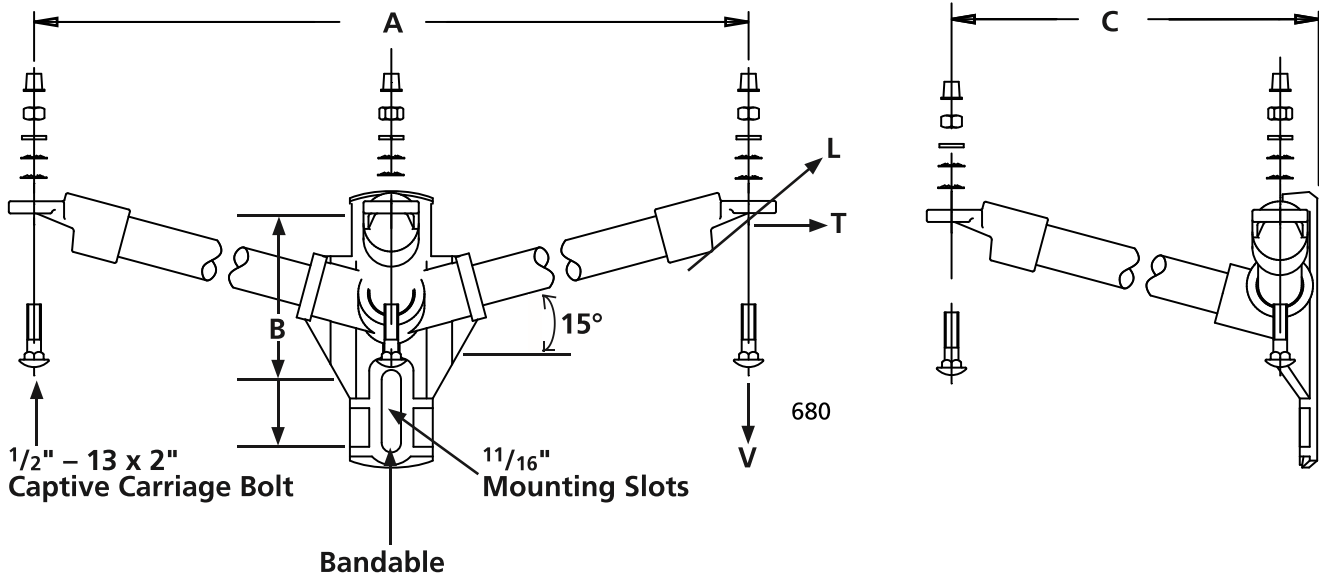


# 1 Position Three-Phase Cutout / Arrester Bracket (15°)



**3SBM—AMB Series**  
includes bolt, nut  
and washers

Base is aluminum alloy and  
End Fittings are hot-dip  
galvanized ductile iron.

B Dimension is 6" & 8"

Catalog No.	Length A	Length C	Minimum Ultimate*			Weight (Each)
			Vertical V	Longitudinal L	Transverse T	
<b>Medium Duty 1½" (38 mm) Dia. Fiberglass Rod</b>						
3SBM3613AM	36" (91.4 cm)	13" (33.0 cm)	1200 lbs (544 kg)	800 lbs. (363 kg)	1500 lbs. (680 kg)	11.5 lbs. (5.2 kg)
3SBM3618AM	36" (91.4 cm)	18" (45.7 cm)	1200 lbs (544 kg)	800 lbs. (363 kg)	1500 lbs. (680 kg)	12.2 lbs. (5.5 kg)
3SBM4818AM	48" (121.9 cm)	18" (45.7 cm)	900 lbs. (408 kg)	700 lbs. (318 kg)	1500 lbs. (680 kg)	14.4 lbs. (6.5 kg)
3SBM4824AM	48" (121.9 cm)	24" (61.0 cm)	900 lbs. (408 kg)	700 lbs. (318 kg)	1500 lbs. (680 kg)	15.2 lbs. (6.9 kg)
3SBM3613AMB	36" (91.4 cm)	13" (33.0 cm)	1200 lbs (544 kg)	800 lbs. (363 kg)	1500 lbs. (680 kg)	12.0 lbs. (5.4 kg)
3SBM3618AMB	36" (91.4 cm)	18" (45.7 cm)	1200 lbs (544 kg)	800 lbs. (363 kg)	1500 lbs. (680 kg)	12.7 lbs. (5.8 kg)
3SBM4818AMB	48" (121.9 cm)	18" (45.7 cm)	900 lbs. (408 kg)	700 lbs. (318 kg)	1500 lbs. (680 kg)	14.9 lbs. (6.8 kg)
3SBM4824AMB	48" (121.9 cm)	24" (61.0 cm)	900 lbs. (408 kg)	700 lbs. (318 kg)	1500 lbs. (680 kg)	15.7 lbs. (7.1 kg)

\*Recommended maximum working load is 50% of minimum ultimate ratings listed.

Consult factory for additional lengths.

Add "SC" suffix to the end of the catalog number to denote Silicone Coated rod

