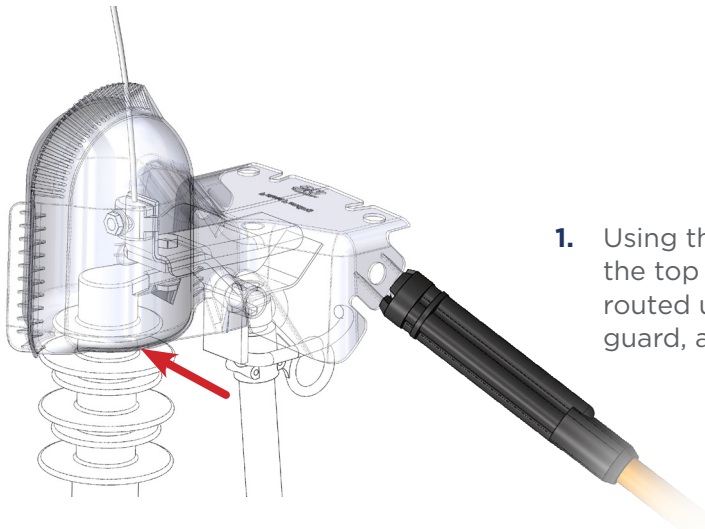


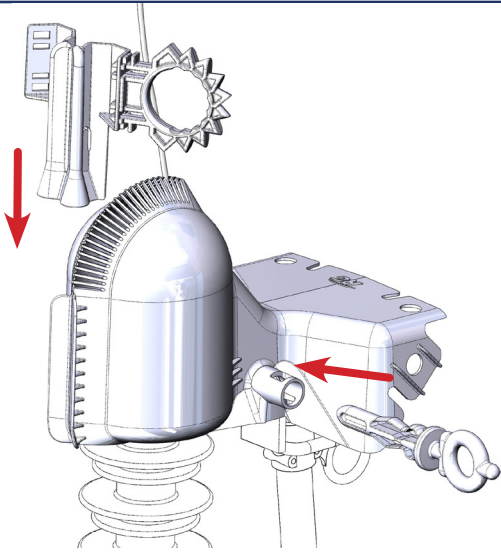
HS CUTOUT GUARD INSTALLATION GUIDE



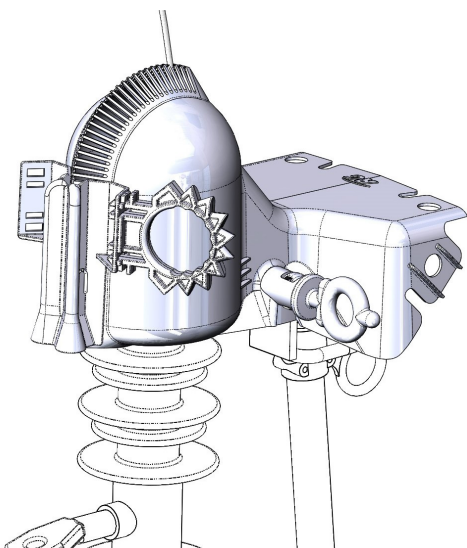
Scan here to view these instructions on your device.



1. Using the hotstick holes on the cutout guard, pull it over the top skirt of the insulator. Ensure the conductor is routed up and out, and only the top skirt is inside the guard, as shown.



2. Using the included hotstick spur, apply the wedge clip to front of the cutout guard, pulling it down until fully engaged. Insert pin into either side, ensuring it inserts below the cutout's top hood. Fully seat the pin with a firm push.



3. Ensure cutout guard is secured by testing movement with rear hotstick holes. Installation is complete.



HS CUTOUT GUARD INSTALLATION GUIDE

DISCLAIMER

These products should only be installed, used, or serviced by adequately trained personnel. These instructions are not a substitute for adequate training in the safe use of these products, and they do not address all situations that may be encountered when using these products. When using any product, always read and follow the installation and operating instructions and warnings for the product, all applicable federal, state, and local safety regulations, industry standards, and your employer's internal safety guidelines and operating instructions. Failure to follow applicable safety rules and instructions may result in serious injury, death, and property damage.

The user is responsible for the safe installation and use of any product and must evaluate the conditions at the time of use and consult with their employer's internal safety guidelines or safety experts hired by your employer, as needed. Hubbell Power Systems, Inc. is not liable for death, serious injury, or property damage resulting from the use of these products in any manner that is inconsistent with the product installation and operating instructions, your employer's internal safety guidelines, or recommendations from safety experts hired by your company.

If further information is desired or if particular problems are encountered which are not sufficiently covered in these instructions, contact Hubbell Power Systems, Inc. for additional information. Operating and installation instructions are available on the Hubbell Power Systems, Inc. website: <https://www.hubbell.com/hubbellpowersystems/en/resource-search?text=&fileType=Installation+Manuals&categoryX=&category=>

