

**HUBBELL®**  
Wiring Device-Kellems

# Tamper-Resistant NOT Plug Resistant®



## The Industry's Best Tamper-Resistant Receptacle for Hospitality Applications



Jackson Bradley, Design Engineer, Atlanta, GA

I received the receptacles this morning and am really impressed. I walked around the house plugging many different types of devices and all worked very smoothly.

I have been a design engineer for almost 30 years and know a good design when I see it. You can be proud of this one.

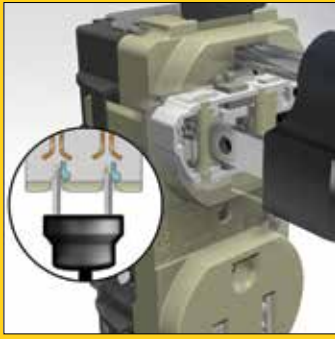
- **Hubbell Patented Technology for a Superior Tamper-Resistant Mechanism**
- **Available In 15 and 20 Amp**
- **Assorted Colors**
- **UL, CSA**

### The Hubbell Solution

Hubbell's patented Cam Action Technology makes inserting a plug as easy as plugging into a standard receptacle. This design has been incorporated into our Industrial, Hospital, Commercial and Residential receptacles. This broad offering ensures the right quality product for all projects.



# Tamper-Resistant - Safety Made Easy



## Patented Cam Action Mechanism

The Hubbell product development team engineered a better way to provide tamper-resistance to our receptacles with our patented cam action mechanism. When a plug is inserted into a Hubbell tamper-resistant receptacle, the cam slides the insulating barrier out of the way. The rotating action eliminates friction, creating a smoother, more reliable insertion. As a result, difficulties due to problematic plugs are minimized.



Scan to see how the Patented Cam Action Mechanism works



## Tamper-Resistant Specification Grade Receptacles

Color	Tamper-Resistant, Style Line® decorator duplex, smooth nylon face, back and side wired		Tamper-Resistant, smooth nylon face, duplex, back and side wired		Tamper-Resistant, smooth nylon face, duplex, side wired only	
	15A 125V	20A 125V	15A 125V	20A 125V	15A 125V	20A 125V
Almond	<b>DR15ALTR</b>	<b>DR20ALTR</b>	<b>BR15ALTR</b>	<b>BR20ALTR</b>	<b>CR15ALTR</b>	<b>CR20ALTR</b>
Black	<b>DR15BLKTR</b>	<b>DR20BLKTR</b>	<b>BR15BLKTR</b>	<b>BR20BLKTR</b>	<b>CR15BLKTR</b>	<b>CR20BLKTR</b>
Brown	<b>DR15TR</b>	<b>DR20TR</b>	<b>BR15TR</b>	<b>BR20TR</b>	<b>CR15TR</b>	<b>CR20TR</b>
Gray	<b>DR15GRYTR</b>	<b>DR20GRYTR</b>	<b>BR15GRYTR</b>	<b>BR20GRYTR</b>	<b>CR15GRYTR</b>	<b>CR20GRYTR</b>
Ivory	<b>DR15ITR</b>	<b>DR20ITR</b>	<b>BR15ITR</b>	<b>BR20ITR</b>	<b>CR15ITR</b>	<b>CR20ITR</b>
Light Almond	<b>DR15LATR</b>	<b>DR20LATR</b>	<b>BR15LATR</b>	<b>BR20LATR</b>	<b>CR15LATR</b>	<b>CR20LATR</b>
White	<b>DR15WHITR</b>	<b>DR20WHITR</b>	<b>BR15WHITR</b>	<b>BR20WHITR</b>	<b>CR15WHITR</b>	<b>CR20WHITR</b>

## SNAPConnect® Tamper-Resistant Specification Grade Receptacles

Color	SNAPConnect® Tamper-Resistant, Style Line® decorator duplex, smooth nylon face		SNAPConnect® Tamper-Resistant, smooth nylon face, duplex		SNAPConnect® Right Angle Pigtailed Terminal with 6", #12 AWG Leads	
	15A 125V	20A 125V	15A 125V	20A 125V	Description	Catalog Number
Black	<b>SNAP2152BKTRA</b>	<b>SNAP2162BKTRA</b>	<b>SNAP5262BKTRA</b>	<b>SNAP5362BKTRA</b>	Solid Stranded	<b>SNAP1RA</b> <b>SNAP2RA</b>
Blue	<b>SNAP2152BLTRA</b>	<b>SNAP2162BLTRA</b>	<b>SNAP5262BLTRA</b>	<b>SNAP5362BLTRA</b>		
Brown	<b>SNAP2152TRA</b>	<b>SNAP2162TRA</b>	<b>SNAP5262TRA</b>	<b>SNAP5362TRA</b>		
Gray	<b>SNAP2152GYTRA</b>	<b>SNAP2162GYTRA</b>	<b>SNAP5262GYTRA</b>	<b>SNAP5362GYTRA</b>		
Ivory	<b>SNAP2152ITRA</b>	<b>SNAP2162ITRA</b>	<b>SNAP5262ITRA</b>	<b>SNAP5362ITRA</b>		
Light Almond	<b>SNAP2152LATRA</b>	<b>SNAP2162LATRA</b>	<b>SNAP5262LATRA</b>	<b>SNAP5362LATRA</b>		
Red	<b>SNAP2152RTRA</b>	<b>SNAP2162RTRA</b>	<b>SNAP5262RTRA</b>	<b>SNAP5362RTRA</b>		
White	<b>SNAP2152WTRA</b>	<b>SNAP2162WTRA</b>	<b>SNAP5262WTRA</b>	<b>SNAP5362WTRA</b>		

## GFCI Receptacles

### Also Available in the Hubbell Tamper-Resistant Line

- Standard
- Night Light (with two LED night lights)
- With Alarm
- Combination Switch (1- 15A Receptacle and 1-15A 120V Switch)



**HUBBELL®**  
Wiring Device-Kellems

[www.hubbell-wiring.com](http://www.hubbell-wiring.com)

