

**Features**

- Audible SNAP, indicates solid connection
- Compliant with NEC® 406.12 and NEC® 517-18(c)
- Patented AUTOGUARD® self test technology
- Triple wipe construction

**Ordering Information**

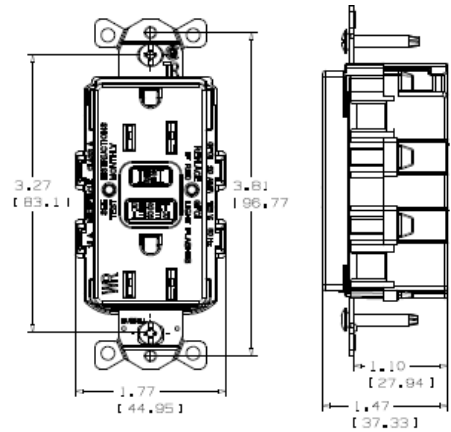
Description	Color	UPC	Catalog Number
20A, 125V, Style Line®, SNAPConnect®, AUTOGUARD® self test GFCI receptacle, flush face	Light Almond	883778124556	GFRST20SNAPLA

**Listings**

UL Listed - Canadian and U.S.  
 Meets ADA Standards  
 Meets all NEC® requirements  
 CSA Certified  
 NEMA® WD-6 Compliant

**Specifications**

Face	Nylon
Base	Nylon
Power Contacts	Brass
Ground Contacts	Brass
Mounting Strap	Zinc plated steel
Mounting Screws	Zinc plated steel



**Complementary Products**

Wallplates for duplex openings

Solid Right Angle Pigtailed Terminal

SNAP1RA

Stranded Right Angle Pigtailed Terminal

**Online Resources**

eCatalog