

Issue Date: 7/25/2011

Page: 1 of 3

File: PSS-JX-XXXXXX-XX

15/25/35kV

200/600A Multipoint Junctions

JX-XXXXXX-XX



## Features:

- **15/25/35kV, 200/600 Amp Molded Multipoint Junction**
- **Fully shielded, fully submersible molded rubber housing**
- **100% peroxide-cured construction includes insulation and conductive EPDM materials.**
- **Utilizes 304 stainless steel for prevention of rusting and corrosion for brackets.**
- **Provides mating for Elastimold Elbow connectors both 600 and 200 Amp.**
- **Increases flexibility and operative ability by saving space in crucial areas.**

## JX-XXXXXX-XX Molded Multipoint Junctions

### Applications:

ELASTIMOLD junctions are designed for subsurface, vault or padmount applications and can be used for sectionalizing, looping, tapping, and equipment bypass. Units feature a modular design flexibility, allowing selection of any combination of 200A deepwell or 600A bushing interfaces with 4" or 6.5" spacing.

### Ratings:

Meets ANSI/IEEE Standard 386, Latest Revision

#### 15kV Voltage Class

8.3kV Max Phase-to-Ground – Operating Voltage

95kV BIL – Impulse Withstand (1.2 x 50 microsecond wave)

34kV AC – One minute withstand

53kV DC – 15 minutes withstand

11kV AC – Corona Extinction @ 3pC sensitivity

#### 25kV Voltage Class

16.2kV Max Phase-to-Ground – Operating Voltage

140kV BIL – Impulse Withstand (1.2 x 50 microsecond wave)

45kV AC – One minute withstand

84kV DC – 15 minutes withstand

21.5kV AC – Corona Extinction @ 3pC sensitivity

#### 35kV Voltage Class

21.1kV Max Phase-to-Ground – Operating Voltage

150kV BIL – Impulse Withstand (1.2 x 50 microsecond wave)

50kV AC – One minute withstand

103kV DC – 15 minutes withstand

26kV AC – Corona Extinction @ 3pC sensitivity

600 Amp – Continuous

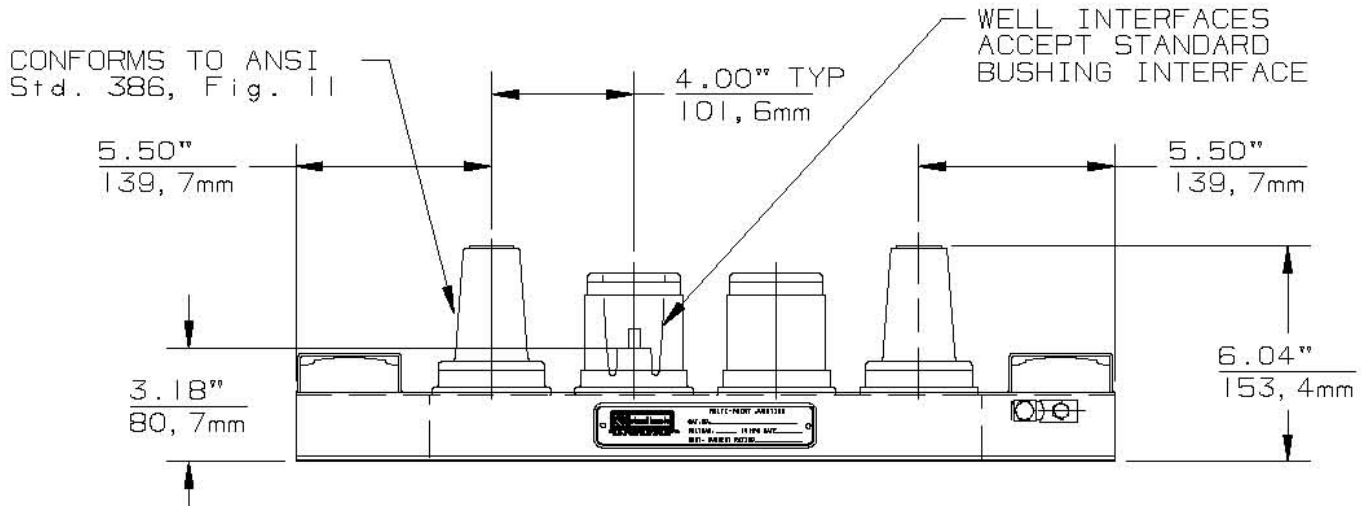
25kA Sym – 10 Cycles Momentary & Fault Close

OR

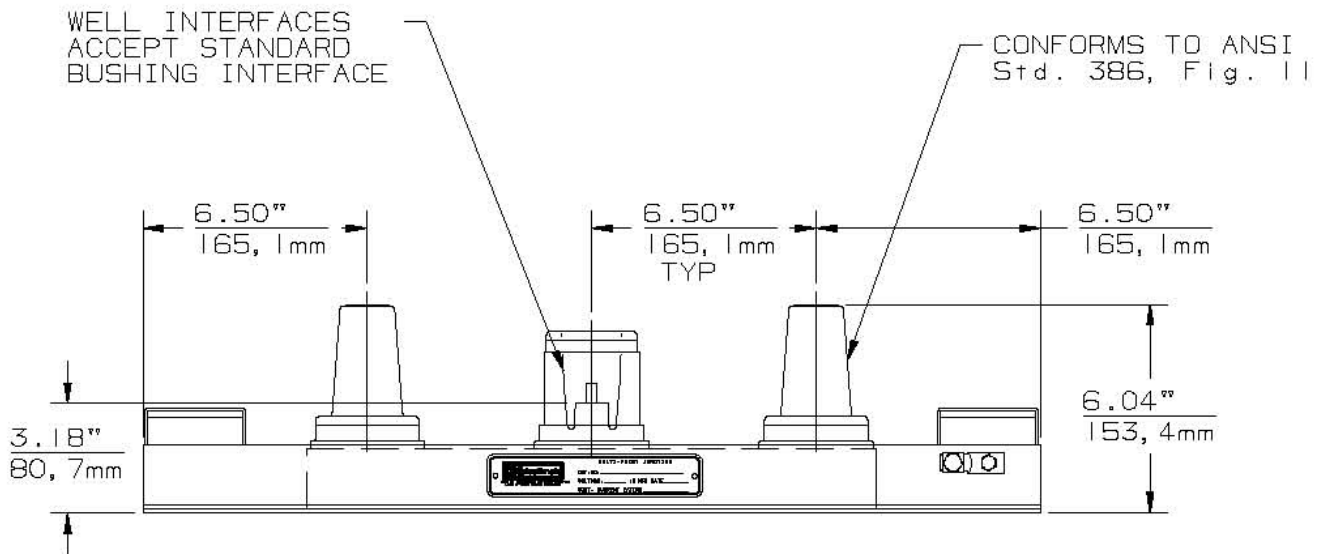
200 Amp – Continuous

10kA Sym – 10 Cycles Momentary & Fault Close

15/25/35kV	200/600A Multipoint Junctions	JX-XXXXXX-XX
------------	-------------------------------	--------------



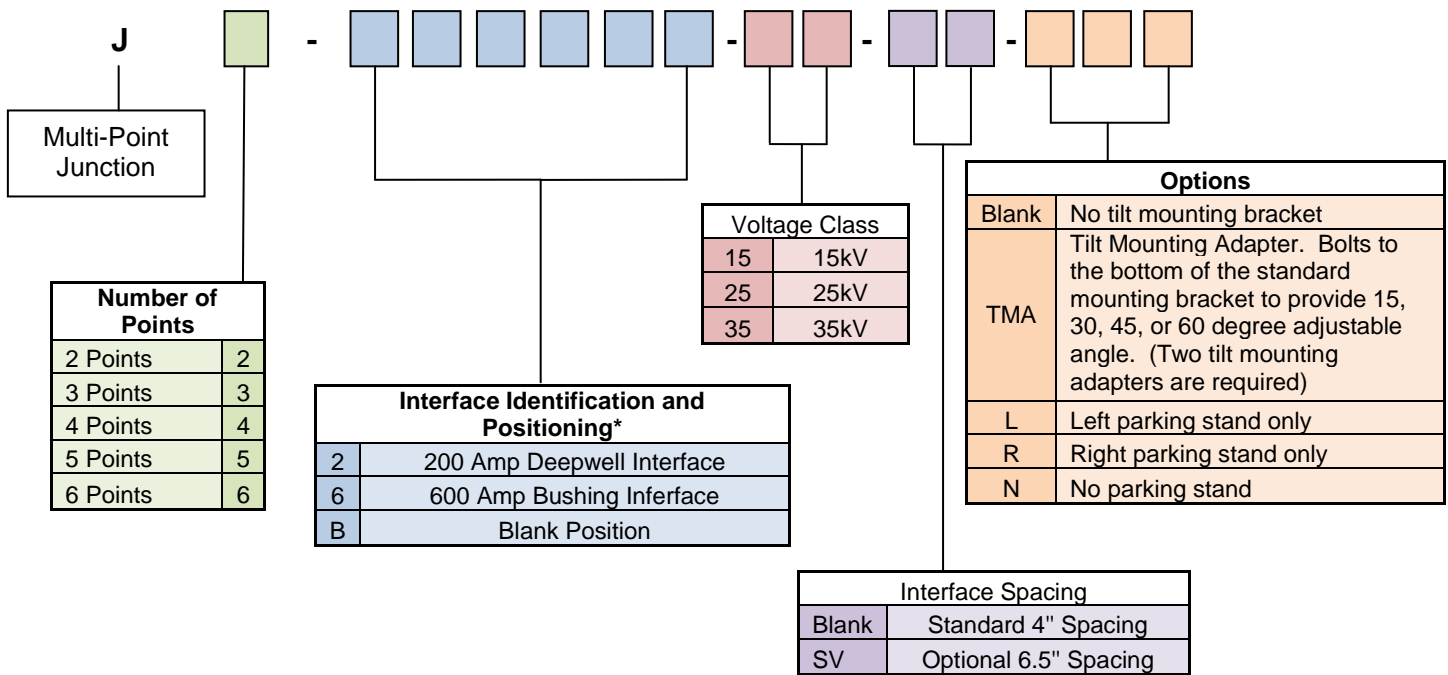
Standard Spaced Junction



Wide Spaced Junction

15/25/35kV	200/600A Multipoint Junctions	JX-XXXXXX-XX
------------	-------------------------------	--------------

## Catalog Number Selection



### Each kit contains the following:

1	Basic molded junction	JX-XXXXXX
1	Mounting Hardware	600JX-6
2	Tube, lubricant	8208
1	Installation instruction	IS-0207
1	Protective Cap	650PPC-01

### Example:

To order a 6-point, 25kV junction with 6.5" spacings and 600 series interfaces on the ways 1,3,4,6 and 200 series wells on the ways 2 and 5, Specify **J6-626626-25-SV**.

### Notes:

- When there is a 200 Amp Interface on one side of the junction and a 600 Series Interface on the other side, always start with the 200 Amp side.