



tradeSELECT™

IMPORTANT SAFEGUARDS

When using electrical equipment, basic safety precautions should always be followed including the following.

READ AND FOLLOW ALL SAFETY INSTRUCTIONS

1. Do not let power supply cords touch hot surfaces.
2. Do not mount near gas or electric heaters.
3. Equipment should be mounted in locations and at heights where it will not readily be subject to tampering by unauthorized personnel.
4. The use of accessory equipment not authorized by the manufacturer may cause an unsafe condition.
5. Do not use this equipment for other than its intended purpose.
6. Servicing of this equipment should be performed by qualified service personnel.

INSTALLER:

- SEE UNIT LABEL FOR ADDITIONAL MODEL SPECIFICATIONS
- SAVE THESE INSTRUCTIONS FOR USE BY OWNER/OCCUPANT



RECYCLING INFORMATION

All steel, aluminum and thermoplastic parts are recyclable.

All cartons contain recycled materials.

Please recycle responsibly.

Hubbell Lighting, Inc. Life Safety Products • www.compasslightingproducts.com

Copyright© Hubbell Lighting, Inc., All Rights Reserved • Specifications subject to change without notice. • Printed in U.S.A.

COMP0001_INST_SHT 7/12

WARNING – This product contains chemicals known to the State of California to cause cancer, birth defects and/or other reproductive harm. Thoroughly wash hands after installing, handling, cleaning, or otherwise touching this product.

J-Box Mounting

1. Feed fixture leads through main bottom case and connect AC power supply (Fig A).
2. Connect wires through J-Box. Main bottom case on J-Box and secure with screws.
3. Connect battery only after continuous AC power can be provided to the unit (Fig. B)
4. Align snaps and push housing directly onto main bottom case (Fig. C). Apply continuous AC power and press "TEST" button to check light.

Conduit

1. Secure main bottom case to wall surface. Route wires through hole in conduit flange and make conduit connection.
2. Connect battery only after continuous AC power can be provided to the unit (Fig. B).
3. Align snaps and push housing directly onto main bottom case (Fig. C). Apply continuous AC power and press "TEST" button to check light.



Fig. A (J-Box)

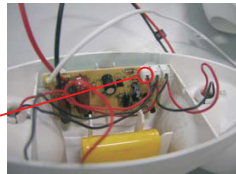
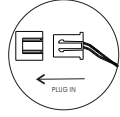


Fig. B

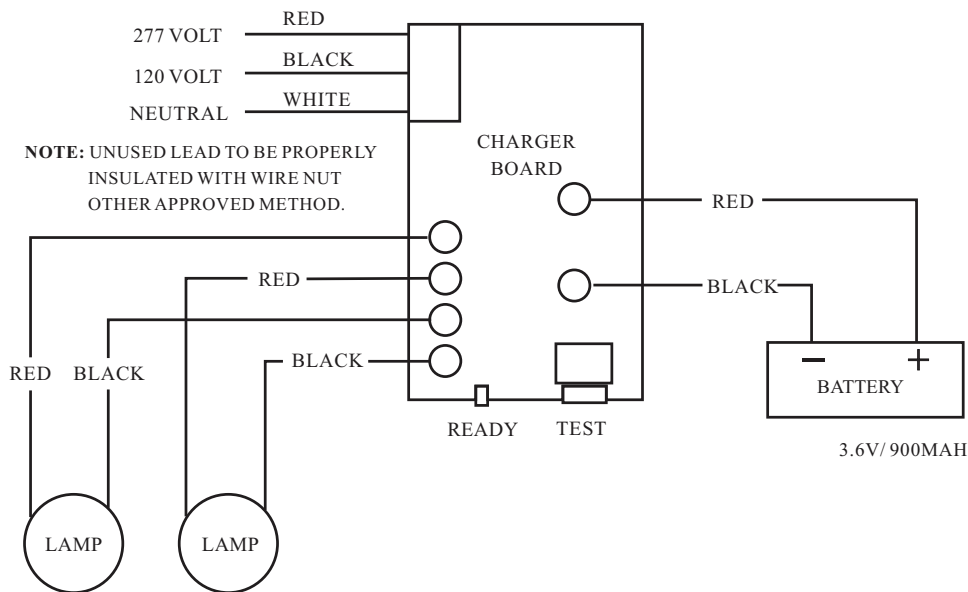


Fig. C

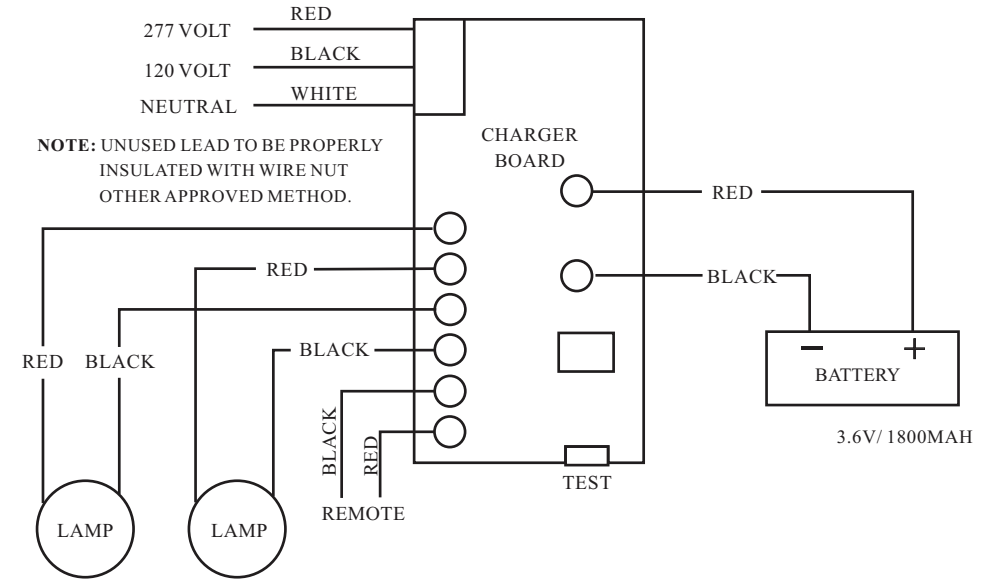
Warning:
Unused wires must be capped using enclosed wire nuts.

WIRING DIAGRAM

CU2



CU2RC



OPERATION

1. During an electrical power failure, the lamps will automatically come on for a minimum of 90 minutes.
2. To test, depress the "TEST" switch. The emergency lamps will illuminate. When the switch is released, the lamps will go off.