

The interior of the Evolution™ Series 4" Poke-Thru Device.

Evolution Series –The most innovative poke-thru devices in the market

Designed for retrofit and new construction, Evolution Series 4" Poke-Thru devices provide convenient access to power, communications, and audio/video services recessed below floor level - providing maximum device protection. 2-gangs of capacity allow you to configure services for the needs of your space.

Evolution Series 4" Poke-Thru devices are the perfect fit for kiosks, training rooms, classrooms, healthcare facilities or commercial buildings with open-space architecture.

Features & Benefits

- **Recessed devices.** Two (2) compartments for power, communications, and/or A/V devices, all recessed 4" (102mm) below the floor level, providing maximum protection and device longevity.
- **Die-cast aluminum cover assemblies.** The Evolution Series poke-thru design includes a low profile all metal die-cast aluminum cover assemblies, available in powder coated finishes of black, brass, gray, nickel, bronze, and aluminum. The cover also features sliding doors that allow cables to neatly egress from the unit, protecting cables while reducing tripping hazards.
- **A/V compatible design.** The 4AT Series devices are designed to work with Legrand's AVIP devices. Also compatible with most A/V manufacturers devices including their 1-gang decorator style design.
- **"Step-on-it" installation.** Quick and easy installation without the need for additional fasteners or a second installer.
- **Pre-pour sleeve.** Creates a removable cast-in-place core hole that allows the contractor to position poke-thru units before concrete is poured. Eliminates the cost and labor of coring the opening.
- **TopGuard™ Protection.** All Evolution Series Poke-Thru Devices, like every Wiremold Poke-Thru Device, meet and exceed UL scrub water exclusion requirements for tile, carpet, and wood covered floors.
- **Meets ADA Accessibility Guidelines.** Wide trim flange is designed to meet the ADA Accessibility Guidelines as it pertains to ADA Standard 4.5 which addresses changes in floor and ground surface levels. The poke-thru trim flanges are beveled so the slope is no greater than 1:2 ratio.
- **Suitable for use in air handling spaces.** In accordance with Sec 300-22(C) of the National Electrical Code.
- **UL Listed and UL Fire Classified to U.S. and Canadian safety standards.** UL Fire rated for up to 2-hour rated floors maintains the fire classification of the floor.

For more information or to configure your own Evolution™ Series Poke-Thru Device, visit our online configurator at:

www.legrand.us/wiremold/evolution.

Vertical Markets

- Commercial
- Hospitality
- Education
- Entertainment
- Healthcare
- Retail

Compliance



cULus Listed, Metallic Outlet Box File Number E2961. Guide QCIT.

cULus Listed Nonmetallic Outlet Boxes & Fittings Classified for Fire Resistance: File R8209, Guide CEYY.

Cabling Specifications

Copper Cross Section:

The copper cross-sectional area determines the amount of wire fill capacity in a poke-thru device. Unlike other wire and cable management systems that utilize wire fill capacity, a poke-thru device is UL tested under fire conditions to determine the maximum amount of copper conductors that will pass through a poke-thru device, while maintaining the fire-rating of the floor assembly. All Legrand Poke-Thru Devices are UL Classified to U.S. and Canadian safety standards.



4AT COPPER CROSS-SECTION

	POWER	DATA
Power Only	(6) 12 AWG	0
A/V & Data	0	(76) #23 AWG (98) #24 AWG (154) #26 AWG
Power A/V & Data	(3) #12 AWG	(38) #23 AWG (48) #24 AWG (77) #26 AWG
Max Copper X-Section	0.0308 sq. in. (19.86mm ²)	0.0308 sq. in. (19.86mm ²)

NOTE: When using conductor sizes other than listed above, the aggregate cross-sectional area of the copper conductors shall not exceed the cross-sectional area listed.

Copper Cross-Sectional Area of Commonly Used Conductors		
Size	Solid	
#24	0.00032 sq. in.	(.206mm ²)
#23	0.00040 sq. in.	(.258mm ²)
#22	0.00050 sq. in.	(.322mm ²)
#14	0.00323 sq. in.	(2.083mm ²)
#12	0.00512 sq. in.	(3.303mm ²)
#10	0.00815 sq. in.	(5.258mm ²)
# 8	0.01296 sq. in.	(8.361mm ²)

NOTE: Use above values for solid or stranded conductors.

Flooring Specifications

4AT CORE HOLE SIZES

FLOOR TYPE	CORE SIZE (Min.)	CORE SIZE (Max.)
Covered Floors (Carpet, Tile or Wood)	4" (102mm)	4 1/8" (105mm)
Bare Concrete or Terrazzo	4" (102mm)	4 1/8" (105mm)

CAUTION: These devices are suitable for 1-, 1 1/2-, and 2-hour rated floor assemblies as described in the UL Fire Resistance directory for each service.

These devices meet all UL scrub water requirements, but are not suitable for wet or damp locations, or other areas subject to saturation with water or other liquids, such as commercial kitchens.

Floor Coverings: The poke-thru device is fire rated for concrete floor coverings. For floor coverings greater than 1" (25mm), consult factory.

UL Certification: To view the UL certification, please visit www.UL.com/Database. Enter "Wiremold" as the company name and "CEYY" as the UL Category Code.

Poke-thru devices and abandonment fittings are for use with 1-, 1 1/2-, or 2-hour rated unprotected reinforced concrete floor and 1-, 1 1/2- or 2-hour rated floors employing unprotected steel floor units and concrete topping (D900-Series Designs), or concrete floors with suspended ceilings. (Fire resistive designs with suspended ceilings should have provisions for accessibility in the ceiling area below the poke-thru fittings.)

The assembled Poke-Thru stem and service fitting or the abandonment fittings will not reduce the ratings of the floor assembly when the thickness and type of concrete (required for the specific rating) are within the specified limits and the fittings are installed as specified:

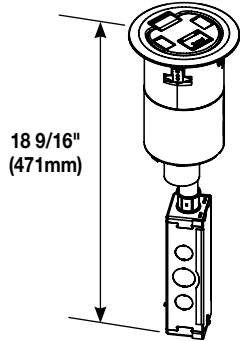
- 1. Spacing** – Minimum of 2' (610mm) OC and not more than one unit per 65 square feet (6 square meters) of floor area in each span.
- 2. Concrete** – Minimum thickness of structural concrete topping of 2 1/4" (57mm) over metal deck or a minimum 3" thick reinforced concrete slab. Unit weight of concrete to be 110 to 155 pcf.
- 3. Installation** – Mounted in a 4" (102mm) diameter core drilled hole in concrete per installation instructions accompanying the fittings or abandonment fittings. For use with power circuits, data and/or telephone cables as tabulated below.

NOTE: The material that is used in Wiremold® poke-thru devices is not listed under the directory for Fire Stopping Material because the poke-thru device is UL Classified as "Outlet Boxes and Fittings Classified For Fire Resistance (CEYY)". The pass/fail criteria comes from UL263. The pass criteria is that the poke-thru unit cannot exceed 325° F. above ambient before the concrete slab (or deck) reaches this same temperature. Some poke-thru devices are tested for 2 hours while others are tested for 4 hours. The intumescent material has never been tested as a fire-stopping material as a stand-alone device. This material is designed to work as a unit with the entire poke-thru device.

Evolution Series 4" Poke-Thru Devices Ordering Information

Catalog No./Item

4ATCP2RBK
4ATCP2RBS
4ATCP2RBZ
4ATCP2RGY
4ATCP2RNK
4ATCP2RAL



Description/Specifications

Recessed Prewired Dual Service Surface Style Poke-Thru Assembly –

- Designed to be installed in concrete floors
- Accessibility to ceiling space below floor is required to feed power, data and A/V services
- Installs into a 4" (102mm) to a 4 1/8" (105mm) diameter hole
- Unit comes complete with surface style cover, one (1) prewired, pre-installed duplex receptacle that is recessed 3 3/4" (95mm) below floor surface level and one (1) empty gang
- Surface style cover is aluminum and is designed to sit on top of finished floor surfaces, including: carpet, tile, wood, polished concrete or terrazzo
- Covers are available in six powder coat finishes: black (BK), gray (GY), brass (BS), nickel (NK), bronze (BZ), and aluminum (AL)

Country of Origin: USA

NOTE: UL Fire Classified for up to 2-hour rated floors.

NOTE: Receptacles can be wired as a standard or isolated ground device.

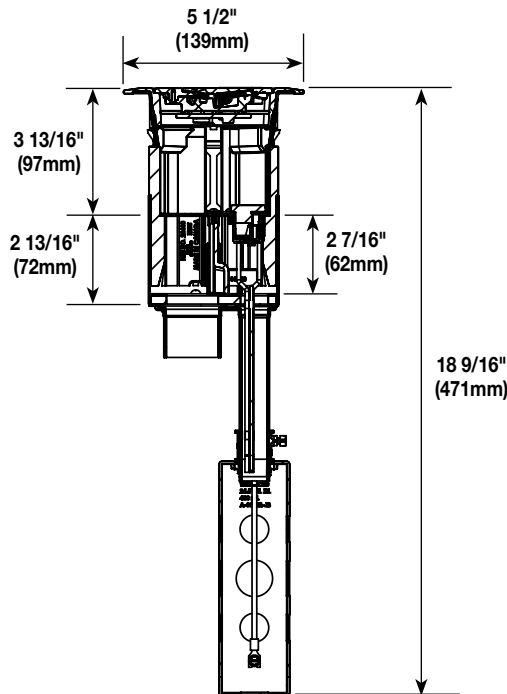
INCLUDED

Devices & Device Plates:

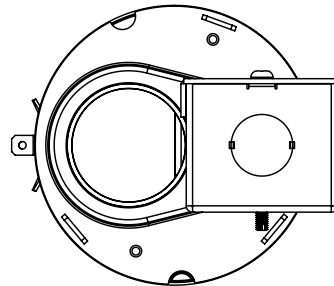
- One (1) proprietary 20A Duplex Receptacle installed
- One (1) 42A Device Plate
- One (1) 4MAAP Device Plate

Bottom Feed:

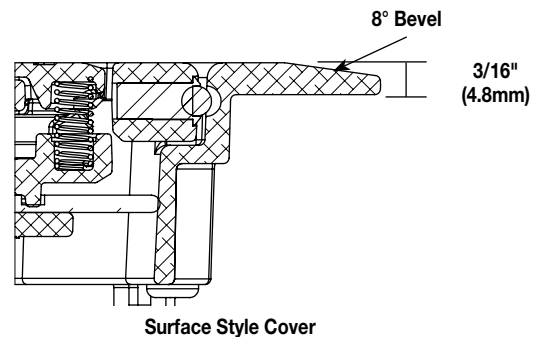
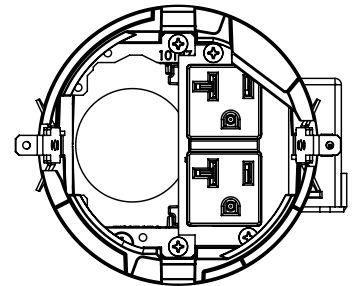
- One (1) 3/4" trade size conduit stub, located below receptacle
- One (1) 1 1/2" trade size conduit stub, located below open gang



Bottom View



Top View



Surface Style Cover

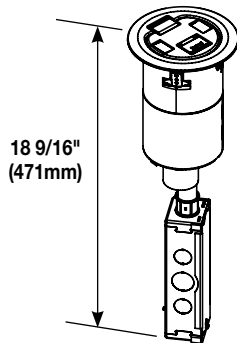
NOTE: For more information on Device Plates and Bottom Feed Plates and on the additional options available, see the Device Plates and Bottom Feed Plates sections found later in this document.

- * Divider included to separate power and low voltage compartments.
- ** Includes junction box attached to the 3/4" trade size conduit.

Evolution Series 4" Poke-Thru Devices Ordering Information

Catalog No./Item

4ATCP4RBK
4ATCP4RBS
4ATCP4RBZ
4ATCP4RGY
4ATCP4RNK
4ATCP4RAL



Description/Specifications

Recessed Prewired All Power Surface Style Poke-Thru Assembly –

- Designed to be installed in concrete floors
- Accessibility to ceiling space below floor is required to feed power, data and A/V services
- Installs into a 4" (102mm) to a 4 1/8" (105mm) diameter hole
- Unit comes complete with surface style cover and two (2) prewired, pre-installed duplex receptacles that are recessed 3 3/4" (95mm) below floor surface level
- Surface style cover is aluminum and is designed to sit on top of finished floor surfaces, including: carpet, tile, wood, polished concrete or terrazzo
- Covers are available in six powder coat finishes: black (BK), gray (GY), brass (BS), nickel (NK), bronze (BZ), and aluminum (AL)

NOTE: UL Fire Classified for up to 2-hour rated floors.

NOTE: Receptacles can be wired as a standard or isolated ground device.

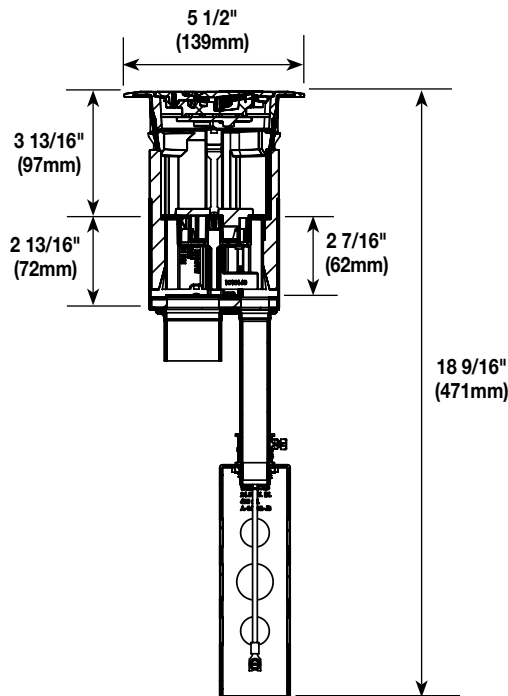
Country of Origin: USA

INCLUDED Devices & Device Plates:

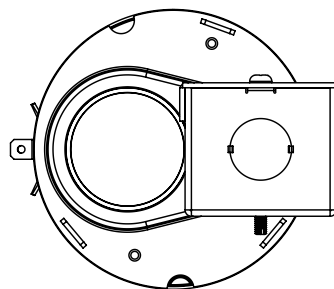
- Two (2) proprietary 20A Duplex Receptacles installed

Bottom Feed:

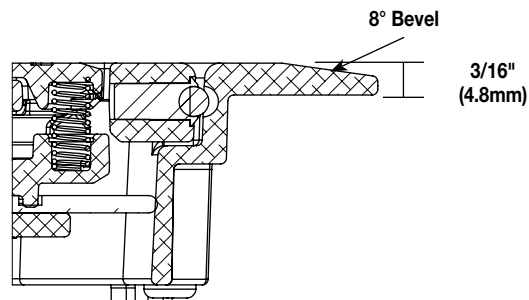
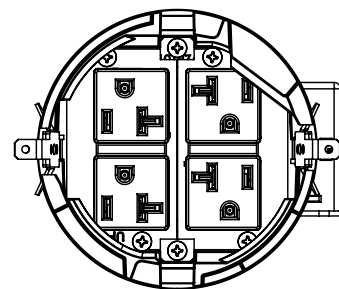
- One (1) 3/4" trade size conduit stub, located below receptacle



Bottom View



Top View



Surface Style Cover

NOTE: For more information on Device Plates and Bottom Feed Plates and on the additional options available, see the Device Plates and Bottom Feed Plates sections found later in this document.

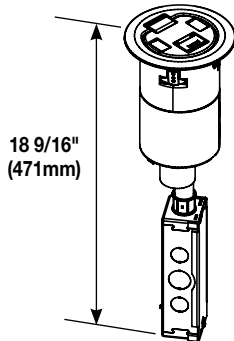
* Closure plate included to seal 1 1/2" trade size conduit stub.

** Includes junction box attached to the 3/4" trade size conduit.

Evolution Series 4" Poke-Thru Devices Ordering Information

Catalog No./Item

4ATCBK
4ATCBS
4ATCBZ
4ATCGY
4ATCNK
4ATCAL



Description/Specifications

Recessed Unwired Surface Style Poke-Thru Assembly –

- Designed to be installed in concrete floors
- Accessibility to ceiling space below floor is required to feed power, data and A/V services
- Installs into a 4" (102mm) to a 4 1/8" (105mm) diameter hole
- Unit comes complete with surface style cover and two (2) empty gangs that are recessed 3 3/4" (95mm) below floor surface level
- Surface style cover is aluminum and is designed to sit on top of finished floor surfaces, including: carpet, tile, wood, polished concrete or terrazzo
- Covers are available in six powder coat finishes: black (BK), gray (GY), brass (BS), nickel (NK), bronze (BZ), and aluminum (AL)

NOTE: UL Fire Classified for up to 2-hour rated floors.

NOTE: Receptacles can be wired as a standard or isolated ground device.

Country of Origin: USA

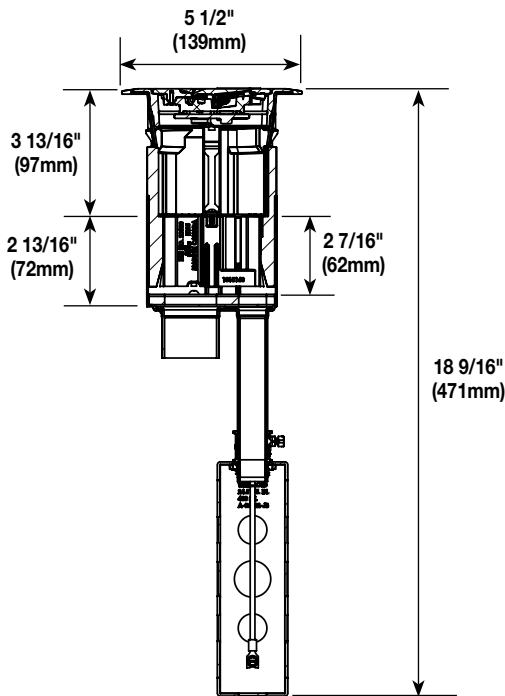
INCLUDED

Devices & Device Plates:

- No device plates included

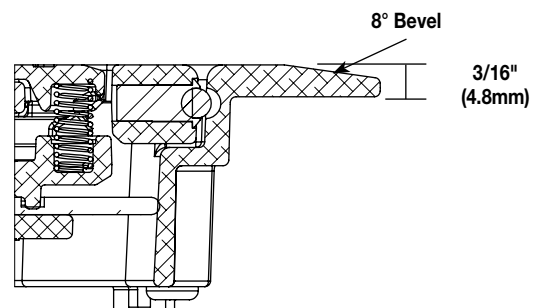
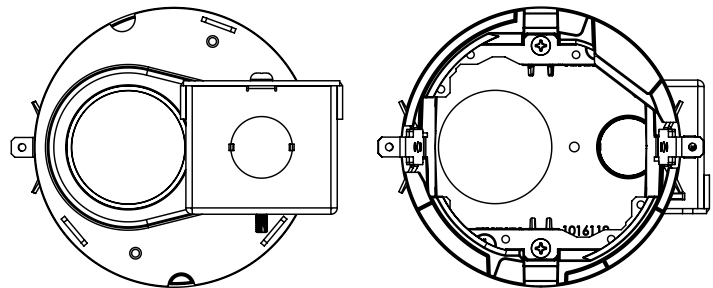
Bottom Feed:

- One (1) 3/4" trade size conduit stub
- One (1) 1 1/2" trade size conduit stub



Bottom View

Top View



Surface Style Cover

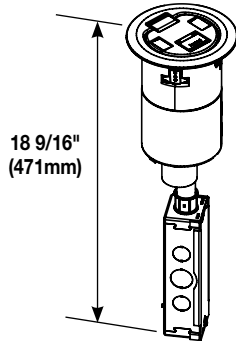
NOTE: For more information on Device Plates and Bottom Feed Plates and on the additional options available, see the Device Plates and Bottom Feed Plates sections found later in this document.

- * Closure plate included to seal 1 1/2" trade size conduit stub.
- ** Includes junction box attached to the 3/4" trade size conduit.

Evolution Series 4" Poke-Thru Devices Ordering Information

Catalog No./Item

4ATCP2CRBK
4ATCP2CRBS
4ATCP2CRBZ
4ATCP2CRGY
4ATCP2CRNK
4ATCP2CRAL



Description/Specifications

Recessed Prewired Dual Service Controlled Receptacle Surface Style Poke-Thru Assembly –

- Designed to be installed in concrete floors
- Accessibility to ceiling space below floor is required to feed power, data and A/V services
- Installs into a 4" (102mm) to a 4 1/8" (105mm) diameter hole
- Unit comes complete with surface style cover, one (1) prewired, pre-installed duplex receptacle with a controlled receptacle marking that is recessed 3 3/4" (95mm) below floor surface level and one (1) empty gang
- Surface style cover is aluminum and is designed to sit on top of finished floor surfaces, including: carpet, tile, wood, polished concrete or terrazzo
- Covers are available in six powder coat finishes: black (BK), gray (GY), brass (BS), nickel (NK), bronze (BZ), and aluminum (AL)

NOTE: UL Fire Classified for up to 2-hour rated floors.

NOTE: Receptacles can be wired as a standard or isolated ground device.

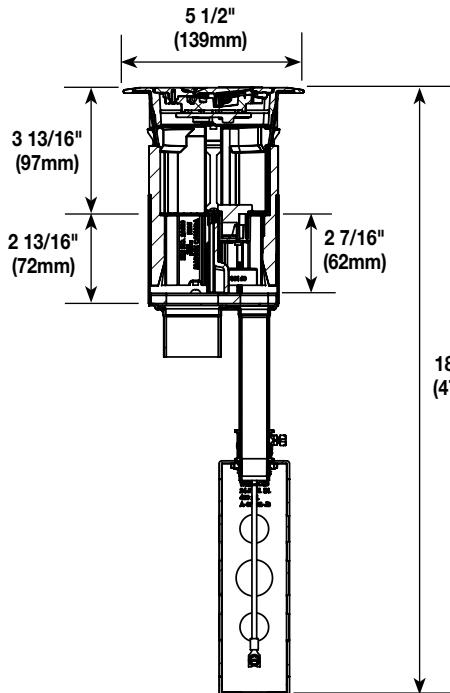
Country of Origin: USA

INCLUDED Devices & Device Plates:

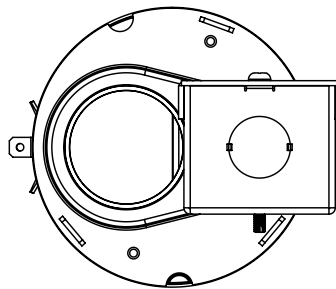
- One (1) proprietary 20A Duplex Receptacle with Controlled Receptacle marking, installed
- One (1) 42 Device Plate
- One (1) 4MAAP Device Plate

Bottom Feed:

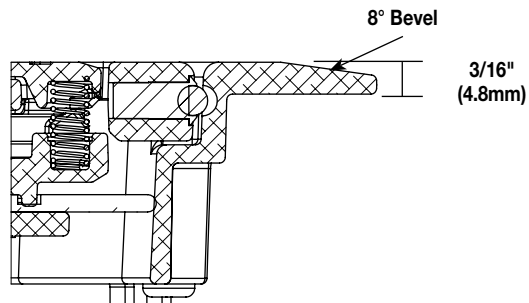
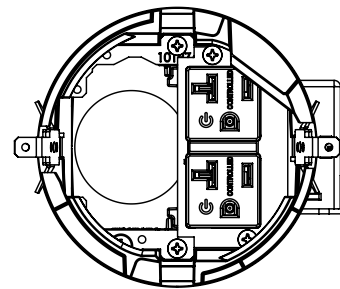
- One (1) 3/4" trade size conduit stub, located below receptacle
- One (1) 1 1/2" trade size conduit stub, located below open gang



Bottom View



Top View



Surface Style Cover

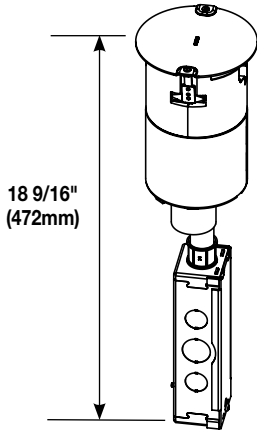
NOTE: For more information on Device Plates and Bottom Feed Plates and on the additional options available, see the Device Plates and Bottom Feed Plates sections found later in this document.

- * Divider included to separate power and low voltage compartments.
- ** Includes junction box attached to the 3/4" trade size conduit.

Evolution Series 4" Poke-Thru Devices Ordering Information

Catalog No./Item	Description/Specifications
------------------	----------------------------

4STC



Recessed Unwired Poke-Thru stem Assembly –

- Designed to be installed in concrete floors
- Accessibility to ceiling space below floor is required to feed power, data and A/V services
- Installs into a 4" (102mm) to a 4 1/8" (105mm) diameter hole
- Unit comes complete with a disposable sheet metal cover, and two (2) empty gangs that are recessed 3 3/4" (95mm) below floor surface level
- Designed to work with 4CTC style covers

Country of Origin: USA

INCLUDED

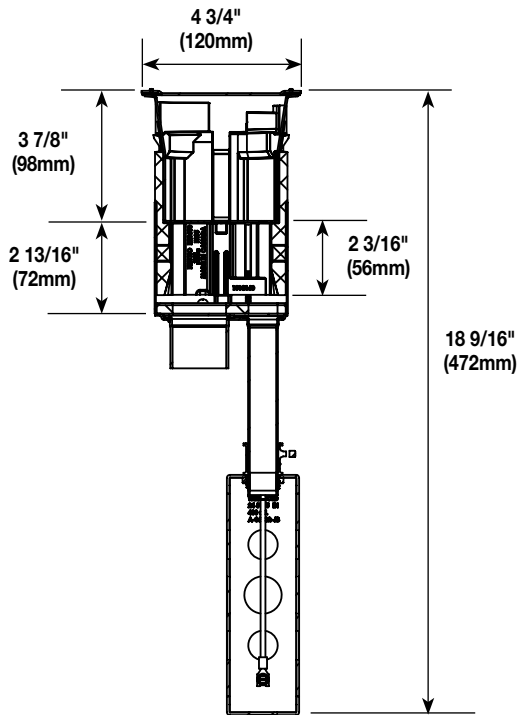
Devices & Device Plates:

- No device plates included

Bottom Feed:

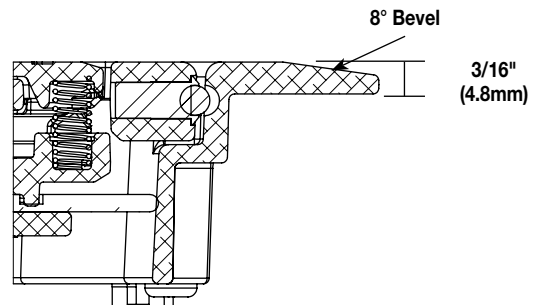
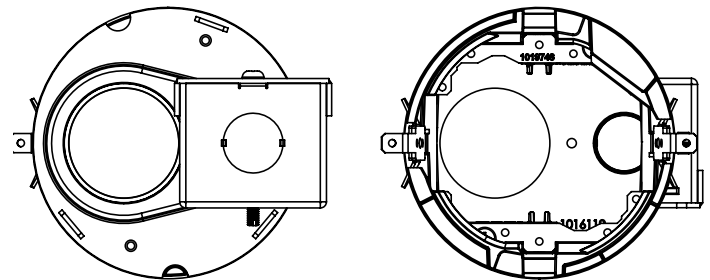
- One (1) 3/4" trade size conduit stub, located below receptacle
- One (1) 1 1/2" trade size conduit stub, located below open gang

NOTE: UL Fire Classified for up to 2-hour rated floors.



Bottom View

Top View

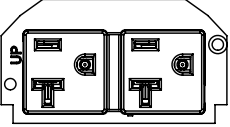
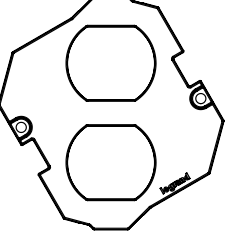
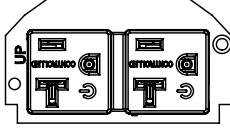
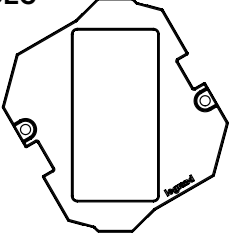
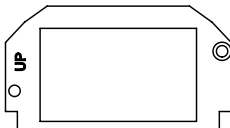
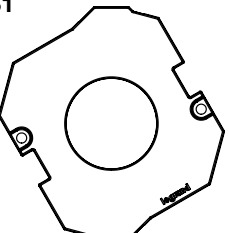
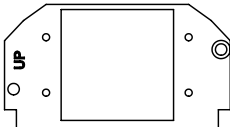
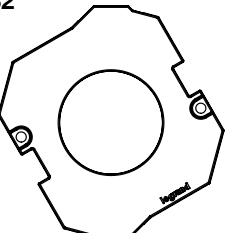



Surface Style Cover

NOTE: For more information on Device Plates and Bottom Feed Plates and on the additional options available, see the Device Plates and Bottom Feed Plates sections found later in this document.

- * Closure plate included to seal 1 1/2" trade size conduit stub.
- ** Includes junction box attached to the 3/4" trade size conduit.

Evolution Series 4" Poke-Thru Devices Device Plates Ordering Information

Catalog No./Item	Description/Specifications	Catalog No./Item	Description/Specifications
4REC 	<p>Duplex Receptacle – One (1) 20A proprietary 20A duplex power receptacle with mounting plate. Designed to fit into one (1) gang of the 4AT Series poke-thru.</p> <p>Country of Origin: USA</p>	44DP 	<p>Device Mounting Plate – Device plate that will accept standard 20A duplex receptacle, duplex Turnlok receptacle, or 106 data adapter. Designed to fit into two (2) gangs of the 4AT Series Poke-Thru.</p> <p>Country of Origin: USA</p>
4REC-CTRL 	<p>Duplex Controlled Receptacle – One (1) 20A proprietary 20A duplex power receptacle with controlled receptacle marking and mounting plate. Designed to fit into one (1) gang of the 4AT Series poke-thru.</p> <p>Country of Origin: USA</p>	44DEC 	<p>Device Mounting Plate – Device plate that will accept Decorator style devices such as 20A receptacles, GFCIs, 106 adapters or A/V devices. Designed to fit into two (2) gangs of the 4AT Series Poke-Thru.</p> <p>Country of Origin: USA</p>
42A 	<p>Device Mounting Plate – Device plate that will accept up to two (2) ports of communication devices. Designed to fit into one (1) gang of the 4AT Series poke-thru. Communications devices supplied by others.</p> <p>Country of Origin: USA</p>	44S1 	<p>Device Mounting Plate – Device plate with 1 3/8" (35mm) receptacle opening. Designed to fit into two (2) gangs of the 4AT Series Poke-Thru.</p> <p>Country of Origin: USA</p>
4MAAP 	<p>Device Mounting Plate – Device plate that will accept up to two (2) Legrand AVIP or Extron Electronics MAAP device plates. Designed to fit into one (1) gang of the 4AT Series poke-thru. Extron devices supplied by others.</p> <p>Country of Origin: USA</p>	44S2 	<p>Device Mounting Plate – Device plate with 1 9/16" (40mm) receptacle opening. Designed to fit into two (2) gangs of the 4AT Series Poke-Thru.</p> <p>Country of Origin: USA</p>
4B 	<p>Device Mounting Plate – Blank plate. Used to blank off one (1) gang of the 4AT Series poke-thru.</p> <p>Country of Origin: USA</p>		

Evolution Series 4" Poke-Thru Devices Cover Assemblies Ordering Information

Catalog No./Item

4CTCBK
4CTCBS
4CTCBZ
4CTCGY
4CTCNK
4CTCAL

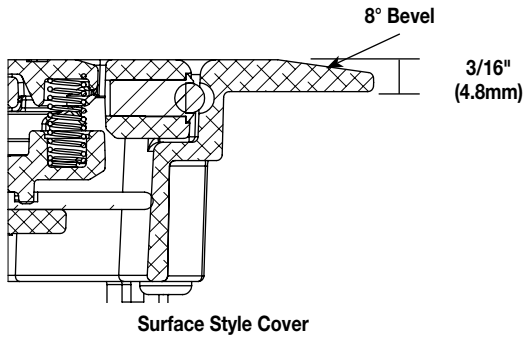
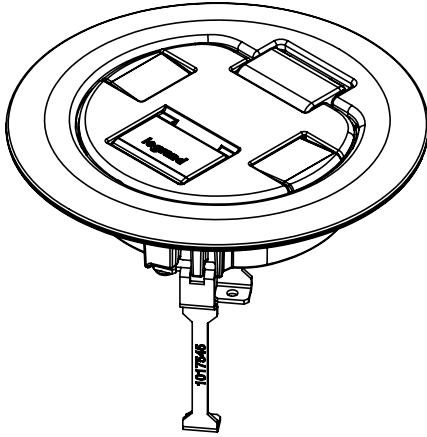
Description/Specifications

Surface Style Cover Assembly –

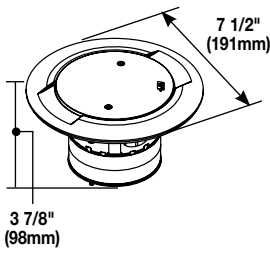
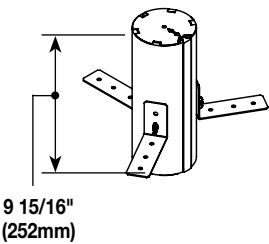

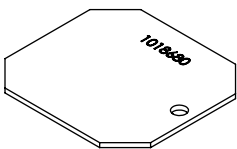
- Low profile design attaches to the 4STC Poke-Thru Stem Assembly
- Made from die-cast aluminum materials and equipped with durable hinge, allowing the cover to rotate open 180°
- Two (2) slide egress doors allow cables to extend through the cover and auto close when no cables are in use
- 8° beveled edge ensures the cover meets ADA guidelines and reduces trip hazards
- Surface style cover is aluminum and is designed to sit on top of finished floor surfaces, including: carpet, tile, wood, polished concrete or terrazzo
- Covers are available in six powder coat finishes: black (BK), gray (GY), brass (BS), nickel (NK), bronze (BZ), and aluminum (AL)

Country of Origin: Mexico


NOTE: All surface style poke-thru devices come with a transition angle to aid in the change in floor elevation.



Evolution Series 4" Poke-Thru Device Accessories Ordering Information

Catalog No./Item	Description/Specifications	Catalog No./Item	Description/Specifications
ABPLUG4 	<p>Abandonment Plug Assembly – Complete plug assembly for abandoning an open 4" (102mm) cored-hole. Assembly includes intumescent fire-stop material to maintain the fire-classification of the floor, integral retainer ring to prevent the unit from pulling up through the floor, and a black die-cast aluminum cover.</p> <p>Country of Origin: USA</p> <p>CAUTION: Not intended for use on polished concrete or terrazzo floor applications.</p>	4PPS 	<p>4" Pre-Pour Poke-Thru Sleeve – Nonmetallic sleeve attaches to structural steel or plywood decking and maintains 4"-4 1/8" diameter cast in core hole. Unit includes three (3) attachment legs, two (2) end caps and three (3) thumb screws.</p> <p>Country of Origin: USA</p>
4DIV 	<p>Divider – Wiring compartment divider. Separates services when required, maintaining signal strength and product listing.</p> <p>Country of Origin: USA</p>		
115BLH 	<p>1 1/2" Conduit Blanking Plate – Wiring compartment closure plate. Close off 1 1/2" trade size conduit stub when poke-thru is used in a power only configuration.</p> <p>Country of Origin: USA</p>		

NOTE: All brand and product names referenced in this document are registered trademarks or trademarks of their respective holders.

 **NOTE:** The paper used to print this document is an environmentally responsible paper with 10% post consumer waste, with FSC and SFI Chain of Custody certifications, Lacey Act complaint. 100% of the electricity used to manufacture Flo sheets is generated with Green-e certified renewable energy.



Legrand, North America
60 Woodlawn Street
West Hartford, CT 06110
1.877.BY.LEGRAND (295.3472)
www.legrand.us

Canada
905.738.9195
www.legrand.ca

FOLLOW US

