

MARSHAL LED TWIN HEAD MOTION SENSOR KIT

Cat.#

Job

Type



HUBBELL
Outdoor Lighting

Approvals

SPECIFICATIONS

Attractive security floodlight set.
Powerful LED system saves energy and maintenance over traditional lighting sources, operating temperature of -20°C to 40°C

Construction:

- Die cast aluminum heads and mounting plate
- Mounting plate has 1/2" threaded hubs
- Tempered glass lenses
- UV resistant occupancy sensor

Optics:

- Replaces twin 150w incandescent lamps

Electrical:

- 120V/60Hz LED

Controls:

- 2 adjustable heads and 1 adjustable occupancy sensor
- 180 degree coverage
- Programmable settings; time, sensitivity, distance

Finish:

- White or Dark Bronze finish

Warranty:

Five year limited warranty (for more information visit: <http://www.hubbelloutdoor.com/resources/warranty/>)

Listings:

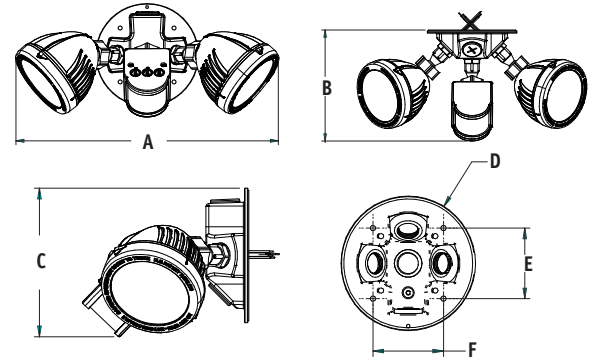
- Listed to UL1598 for use in wet locations
- Heads NEMA 3R

PRODUCT IMAGE(S)



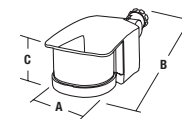
NEW

DIMENSIONS



A	B	C	D	E	F	Weight
12.75"	6.5"	5.00"	4.81"	2.52"	2.52"	2.2 lbs.
323 mm	165 mm	127 mm	122 mm	64 mm	64 mm	1 kg

Sensor Dimensions



A	B	C
0.25"	6"	0.25"
60 mm	152 mm	47 mm

SHIPPING INFORMATION

Catalog Number	G.W(kg)/CTN	Carton Dimensions		
		Length Inch (cm)	Width Inch (cm)	Height Inch (cm)
ML-2L	3.4 lbs	10.75"	7.75"	6.5"
MS	.4 lbs	2.375"	2.125"	5.875"

CERTIFICATIONS/LISTINGS



tradeSELECT[®]

ORDERING INFORMATION - STOCK CONFIGURATIONS

Catalog Number	Mount	Color	Beam Pattern	Wattage	Voltage	CCT/CRI	Lumens	LPW	Weight lbs. (kg)
ML-2L3K-1-DB	Ceiling/Wall	Dark Bronze	General	26.6w	120V	3000K/83	2104	79	2.2 (1)
ML-2L3K-1-WH	Ceiling/Wall	White	General	26.6w	120V	3000K/83	2104	79	2.2 (1)



HUBBELL
Outdoor Lighting

Hubbell Outdoor Lighting • 701 Millennium Boulevard • Greenville, SC 29607 • Phone: 864-678-1000

Due to our continued efforts to improve our products, product specifications are subject to change without notice.

© 2017 HUBBELL OUTDOOR LIGHTING, All Rights Reserved • For more information visit our website: www.hubbelloutdoor.com • Printed in USA

MLLED-SPEC 1/17

ACCESSORIES - Order Separately

Catalog Number	Mount	Color	Description
MS-DB	1/2" threaded	Dark Bronze	Occupancy sensor only, 180° and adjustable settings
MS-WH	1/2" threaded	White	Occupancy sensor only, 180° and adjustable settings



PERFORMANCE DATA

# OF LEDS	INPUT CURRENT	SYSTEM WATTS	3K (3000K nominal, 80 CRI)	
			LUMENS	LPW ¹
2	0.22	26.6	2090	80.2

1 - Lumen values are from photometric tests performed in accordance with IESNA LM-79-08. Data is considered to be representative of the configurations shown. Actual performance may differ as a result of end-user environment and application.

ELECTRICAL DATA

# OF LEDS	DRIVE CURRENT (mA)	INPUT VOLTAGE (V)	SYSTEM POWER (w)	CURRENT (Amps)
2	.22	120	26.6	0.994

LUMINAIRE AMBIENT TEMPERATURE FACTOR (LATF)

AMBIENT TEMPERATURE	LUMEN MULTIPLIER
0° C / 32° F	1.06
10° C / 50° F	1.03
20° C / 68° F	1.01
25° C / 77° F	1.00
30° C / 86° F	0.99
40° C / 104° F	0.97
50° C / 122° F	0.94

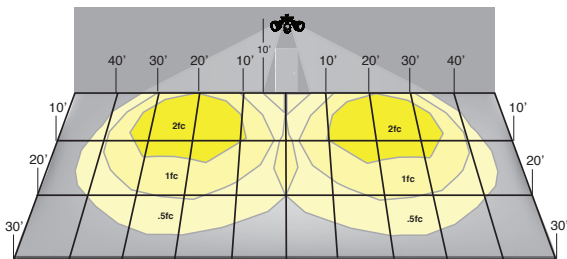
Use these factors to determine relative lumen output for average ambient temperatures from 0-40°C (32-104°F).

PROJECTED LUMEN MAINTENANCE

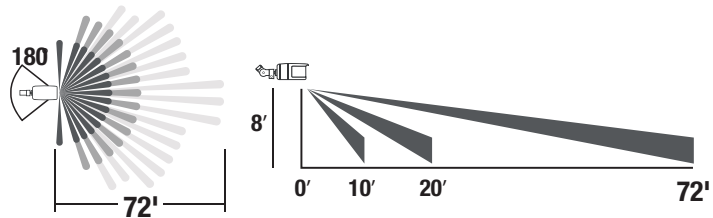
Ambient Temp.	OPERATING HOURS					L70 (hours)
	0	25,000	TM-21-11 ¹ L90 36,000	50,000	100,000	
25°C / 77°F	1.00	0.93	0.90	0.86	0.75	>125,000
40°C / 104°F	0.99	0.90	0.86	0.81	0.67	>88,000

1. Projected per IESNA TM-21-11 (* Cree XP-L, 2100mA, 105°C Ts, 6,000hrs)

Performance



Sensor Performance



Sensor Adjustments



- Includes adjustable settings and photo control
- Time
 - Sensitivity
 - Distance