

**Crosstour**  
LED wall pack series

**Lumark**



## Delivering broader solutions.

The complete solution for outdoor lighting.

The patented Crosstour™ LED wall pack series combines value and versatility in a low-profile, architectural style design. Whether the project is lighting a sign, building or parking lot, the Crosstour is the complete solution for wall, area/site and floodlighting applications.

Utilizing the latest LED technology, the Crosstour luminaire offers a forward throw distribution that delivers superior uniformity and excellent illumination to the targeted application. The Crosstour offers a broad selection of models, providing greater than 95 percent in energy and maintenance savings over traditional HID systems. With lumen packages ranging from 1,418 to 12,728 lumens, the Crosstour LED wall packs are the ideal solution for replacing legacy metal halide solutions ranging from 70 to 400 watts.

Available in versatile mounting configurations, these fixtures are built with the installer in mind, providing flexibility while simplifying installation. Convert a wall pack into a floodlight or an area/site luminaire by adding floodlight or pole mount arm kit to solve your outdoor lighting project needs.

The Crosstour LED wall pack series delivers a broad range of solutions with superior performance, installation flexibility, long term reliability and significant energy savings, making the choice simple for all your outdoor lighting applications.





## Combining versatility and value.

### Superior illumination

The Crosstour LED wall pack series combines high efficiency, precision engineered optics in a low-profile, cost effective design. The forward throw (Type IV) distribution provides optimized optical control and efficiency, resulting in reduced operating costs while maximizing fixture spacing. The Crosstour MAXX is available in full cutoff and refractive lens models with a custom engineered reflector that provides high-efficiency illumination. Offered in brilliant white 5000K or neutral 4000K CCT, Crosstour LED wall pack series incorporates twenty high performance, scalable, energy efficient lumen packages. Whether the project is lighting pedestrian walkways, building entrances, perimeter parking areas or loading docks for a low initial investment, the Crosstour wall pack series is the complete solution.

### Reliability and long life

Available in three housing sizes, the Crosstour wall pack series provides up to 95 percent in energy and maintenance savings. Standard dimming drivers and optional integrated sensors provide additional energy savings by reducing light levels and power consumption, while complying with California Title 24 provisions.

The rugged, die-cast aluminum housing is IP66, UL wet location and 3G vibration rated for exceptional durability and long-term reliability in -40°C to 40°C applications. With lumen maintenance of greater than 87 percent, the Crosstour wall pack series is virtually maintenance free for over 15 years.

### Ease of installation

Cooper Lighting Solutions' Crosstour LED wall packs are built with contractor friendly installation features such as a universal back box and secure lock hinge. The universal back box adapts to standard junction boxes without the use of adaptor plates and includes three conduit openings for thru-branch wiring. The hinged design locks the door in place, allowing precise and stable handling when making the tool-less electrical connections.





## Crosstour

Building entrances, schools, healthcare facilities, stairways, pathways, sign lighting

# Crosstour

## Performance summary

**Lumens:** 1,418 / 4,269

**Wattage:** 12W / 18W / 26W / 38W

**Efficacy:** Up to 117 lm/W

**CRI/CCT:** 70 / 4000K (Standard), 70 / 5000K (Optional)

## Electrical data (Electronic LED driver)

**Power Factor:** >0.9

**Total Harmonic Distortion:** <20%

**Minimum Temperature:** -40°C

**Ambient Temperature Rating:** 40°C (50°C optional)

**Operation:** 120-277V 50/60Hz, 347V 60Hz

**Controls:** 0-10V, Button photocontrol (120V, 208-277V)

**Surge Protection:** 4kV inherent in driver

## Additional information

**Warranty:** 5 year

**Vibration Tested:** 3G (Floodlight kits only)

**UL/cUL Listed:** Wet location

**IP66 Rated:** Yes

**LM79/LM80:** L89 at 72,000 hours (25°C)

**RoHS:** Compliant

**ADA:** Compliant

**EPA:** 0.34 (12W, 18W, 26W), 0.45 (38W)

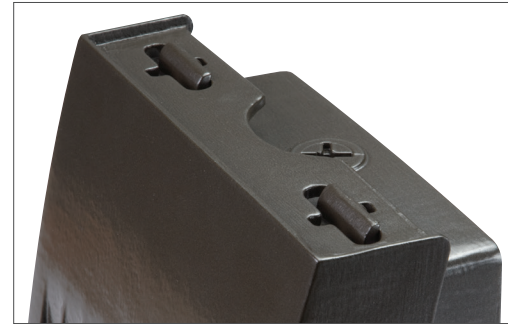
**Approximate Net Weight:** 3.7 - 5.26 lbs. (1.7 - 2.4 kgs.)

## Energy and maintenance savings

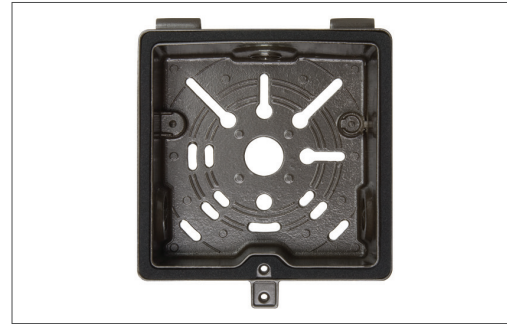
**Annual savings:** 91% (Compared to 250W metal halide)

NOTE: Product specifications subject to change without notice. Visit [www.cooperlighting.com](http://www.cooperlighting.com) to find the most up to date information.

## Options and accessories



Door locking hinge



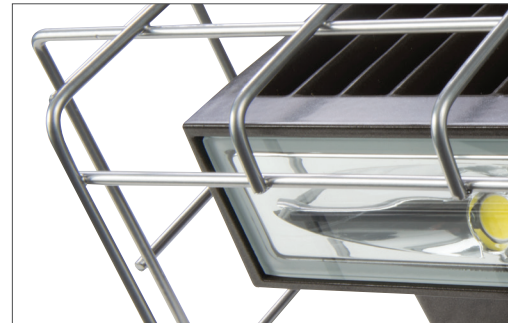
Universal back box



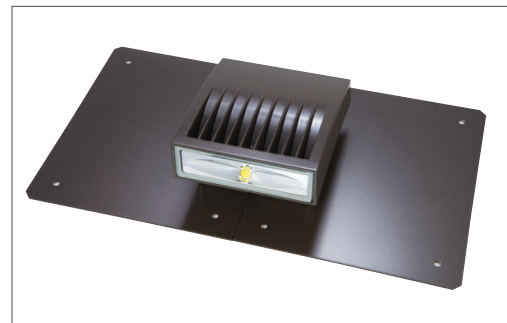
Button photocontrol



Visor and vandal shield



Wire guard



Escutcheon plate



Trunnion mount



Knuckle mount



## Crosstour MAXX

Professional buildings, loading docks, perimeter parking, industrial and storage facilities

# Crosstour MAXX

## Performance summary

**Lumens:** 6,129 / 13,458  
**Wattage:** 58W / 81W / 102W  
**Efficacy:** Up to 125 lm/W  
**CRI/CCT:** 70 / 4000K (Standard), 70 / 5000K (Optional)

## Electrical data (Electronic LED driver)

**Power Factor:** >0.9  
**Total Harmonic Distortion:** <20%  
**Minimum Temperature:** -40°C  
**Ambient Temperature Rating:** 40°C (50°C optional)  
**Operation:** 120-277V 50/60Hz, 347V 60Hz, 480V 60Hz  
**Controls:** 0-10V, Button photocontrol (120V, 208-277V), Integrated sensor (Dimming and occupancy)  
**Surge Protection:** 4kV inherent in driver

## Additional information

**Warranty:** 5 year  
**Vibration Tested:** 3G  
**UL/cUL Listed:** Wet location  
**IP66 Rated:** Yes  
**LM79/LM80:** L89 at 72,000 hours (25°C)  
**RoHS:** Compliant  
**EPA:** 0.54, 0.98 (Pole mount)  
**Approximate Net Weight:** 12 - 15 lbs. (5.4 - 6.8 kgs.)

## Energy and maintenance savings

**Annual savings:** 83% (Compared to 450W metal halide)

NOTE: Product specifications subject to change without notice. Visit [www.cooperlighting.com](http://www.cooperlighting.com) to find the most up to date information.

## Options and accessories



Button photocontrol



Integrated sensor



Emergency egress



Wire guard



Escutcheon plate



Pole Mount



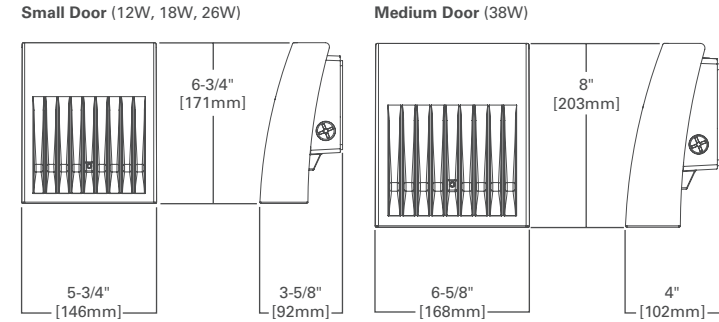
Refractive lens



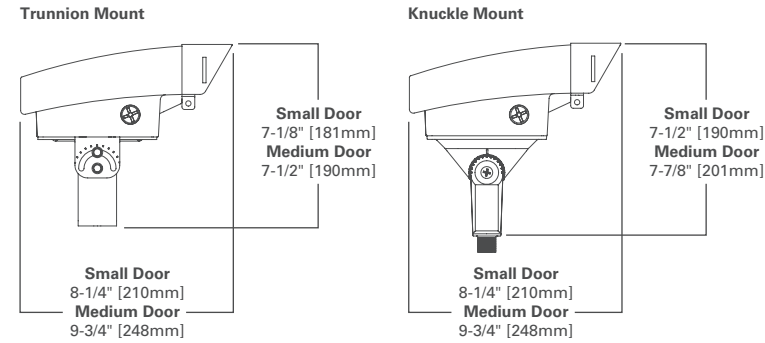
Full cutoff

# Dimensions

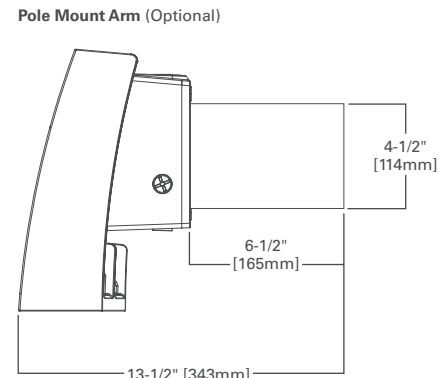
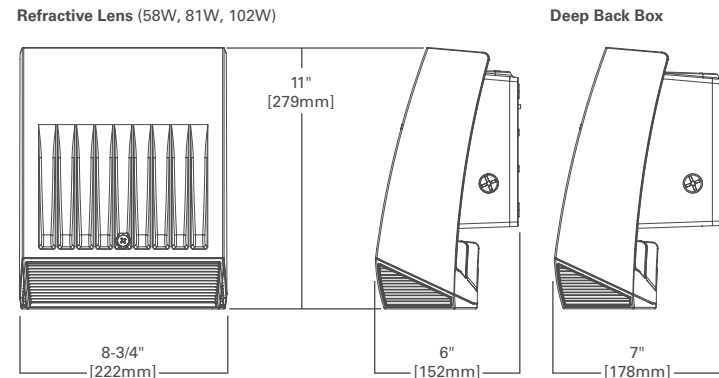
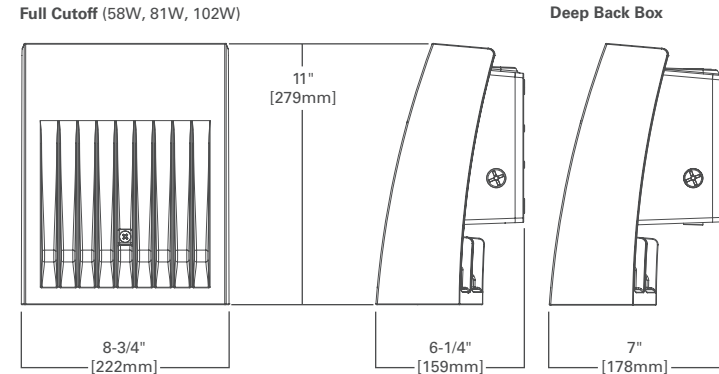
## Crosstour



## Floodlight Kit



## Crosstour MAXX

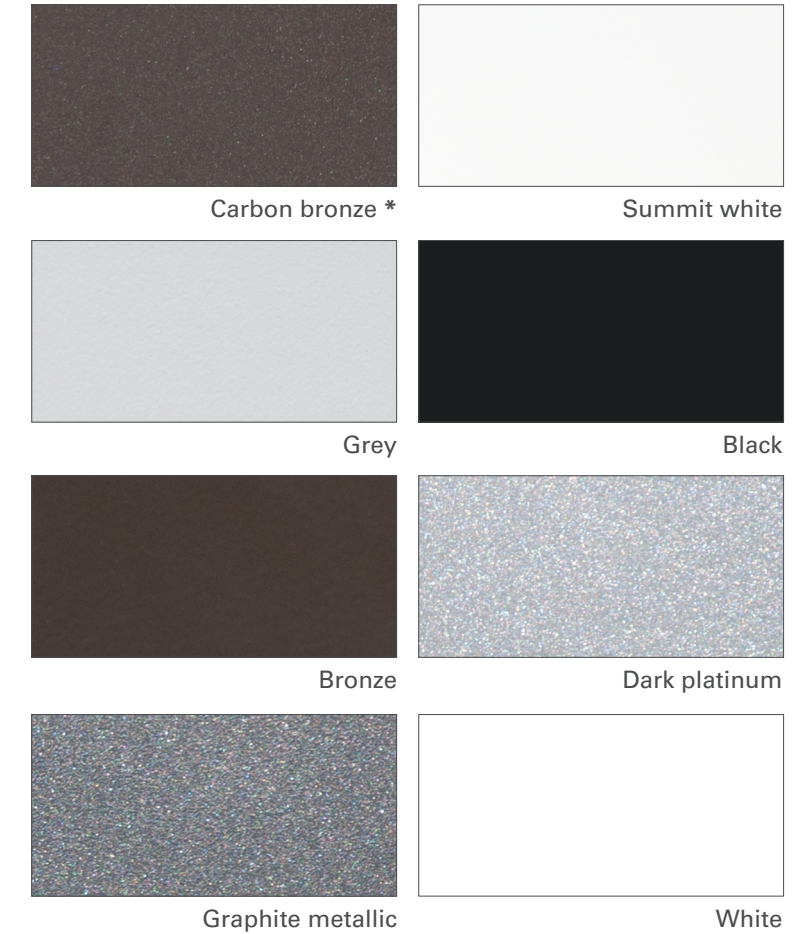


# Finish selection

Five-stage super TGIC paint resists extreme weather conditions, while providing optimal color and gloss retention.

Cooper Lighting Solutions utilizes premium ultra-weatherable TGIC based polyester powder coatings that are specifically formulated to withstand extended outdoor exposure. The powders are formulated exclusively for Cooper Lighting Solutions to serve functionally as well as decorative. Good film appearance combined with excellent mechanical and exterior exposure qualities display greater than twice as much gloss retention. Finish is compliant with ASTM B117 3000hr salt spray standard. RAL and custom color matches available.

Product specifications subject to change without notice. Visit [www.cooperlighting.com](http://www.cooperlighting.com) to find the most up to date information.



\* Carbon bronze is standard on stock configurations. Colors and textures have been matched as close as possible. Paper and ink limitations, as well as the influence of heat and light, account for differences from actual coatings. To aid in final product selection, please contact your local product representative.



### **Lighting Brands**

Ametrix  
AtLite  
Corelite  
Ephesus  
Fail-Safe  
Halo  
Halo Commercial  
Invue  
io  
Iris  
Lumark  
Lumière  
McGraw-Edison  
Metalux  
MWS  
Neo-Ray  
Portfolio  
RSA  
Shaper  
Streetworks  
Sure-Lites

### **Controls Brands**

Greengate  
Fifth Light

### **Connected Lighting Systems**

HALO Home  
WaveLinx

### **IoT Platforms**

Trellix

#### **Cooper Lighting Solutions**

1121 Highway 74 South  
Peachtree City, GA 30269  
P: 770-486-4800  
[www.cooperlighting.com](http://www.cooperlighting.com)

Canada Sales  
5925 McLaughlin Road  
Mississauga, Ontario L5R 1B8  
P: 905-501-3000  
F: 905-501-3172

© 2021 Cooper Lighting Solutions  
All Rights Reserved  
Printed in USA  
Publication No. BR514002EN  
March 2021

Cooper Lighting Solutions is a registered trademark.

All other trademarks are property of their respective owners.

Product availability, specifications, and compliances are subject to change without notice.

