



**INTERACTIVE MENU**

- Ordering Guide
- Performance Tables
- Photometric Data
- Dimensional Data

**EXTERNAL LINKS**

- NX™ In-Fixture Solution Guide
- NX Distributed Intelligence Brochure

**PROJECT INFORMATION**

Project Name \_\_\_\_\_

Type \_\_\_\_\_

Catalog No. \_\_\_\_\_

Date \_\_\_\_\_

**COMPATIBLE WITH:**



**FEATURES**

- Lumen packages range from 8,000 to 60,000 lumens
- Uplight options from 1,000 to 4,000 lumens
- LED light engine provides efficacies of 150+ LPW standard with 170+ LPW for High Efficacy option
- -20°C (-4°F) up to 65°C (149°F) ambient operation, see table provided for details
- 6kV surge protection standard, with 10kV option
- UL 924 with Two emergency battery pack options, 1800 lumens (10watt) and 4000 lumens (20watt)
- Two distribution options available with frosted acrylic and polycarbonate lens materials
- Long-life 60,000 hour LEDs at L80 with projected life over 200,000 hours at L70
- NX Distributed Intelligence™ provides options for standalone and networked integrated sensor with wired or wireless connectivity for NX system deployments
- DLC® (DesignLights Consortium) Qualified, with some Premium Qualified configurations - see [www.designlights.org](http://www.designlights.org)
- Five year warranty



**PELTON™ HIGH PERFORMANCE HIGH BAY**

**CONSTRUCTION**

Code gauge steel construction for durability to withstand shipping and job site handling. End caps constructed of 20ga steel for maximum rigidity. Fixture design provides easy access to electrical components from below via removal of channel cover. Access plate conveniently mounted on back of fixture for easy access to wiring. All metal parts are post painted after fabrication with polyester power coat paint with 90% reflectance.

**SHIELDING/OPTICS**

Available with and without lens. Wide and narrow distribution options available with acrylic and polycarbonate material. Frosted material used to help diffuse LEDs for glare reduction.

**ELECTRICAL**

Class 2 LED light engine with use of high efficacy (up to 180 LPW), long life (200,000 hour) LEDs. Driver is high temperature rated (90C) with 6kV standard surge protection and available in 120-277V or 347-480V input, > 0.95 Power Factor. 0-10V standard with dimming range of 100% to 5%.

**MOUNTING**

Mounting options include suspension cables, surface mounting with use of tong brackets, single point stem (pendant) mount. Refer to ambient table for max ambient rating associated with mounting options.

**CERTIFICATION**

All luminaires are built to UL1598 standard, and bear appropriate CSA labels. Damp location labeling is standard. Emergency equipped fixtures labeled UL924. Adheres to LM79, LM80 and TM21 industry standards. DLC® (DesignLights Consortium) Qualified, with some Premium Qualified configurations. Please refer to the DLC website for specific product qualifications at [www.designlights.org](http://www.designlights.org).

**WARRANTY**

5 Year Warranty (Terms and Conditions apply).

**ORDERING INFORMATION**

**EXAMPLE PEL4-40MHHE-FAW-U2-EU**

**YOUR ORDER** PEL - - - - -

**PEL**

MODEL	SIZE	CRI	COLOR TEMP	LUMEN OUTPUT <sup>1</sup>	LENS	DISTRIBUTION
PEL Peloton™ High Performance High Bay	2 2'	Blank 80	30 3000K	LH 2' (8,000)	FA Frosted Acrylic	W Wide Distribution
	4 4'		35 3500K	LHHE 2' (8,000)	FP Frosted Polycarbonate	N Narrow Distribution
			40 4000K	LX 2' (12,000)	Blank No Lens	Blank Lambertian Distribution
			50 5000K	LXHE 2' (12,000)		
				ML 2' (15,000)		
				MLHE 2' (15,000)		
				MM 2' (18,000), 4' (18,000)		
				MMHE 2' (18,000), 4' (18,000)		
				MH 2' (24,000), 4' (24,000)		
				MHHE 4' (24,000)		
				MV 2' (30,000), 4' (30,000)		
				MVHE 4' (30,000)		
				MX 4' (36,000)		
				MXHE 4' (36,000)		
				HM 4' (48,000)		
				HH 4' (60,000)		

UPLIGHT <sup>2,3,4</sup>	DRIVER	VOLTAGE	OPTIONS	CONTROL OPTIONS
<b>Blank</b> No uplight	<b>E</b> Fixed Output	<b>U</b> 120-277V	<b>C6TL20</b> 6' Cord and Twist-Lock™ Plug 20A (Add Voltage 1=120, 2=277)	<b>OS1360</b> Factory Installed On/Off Occupancy/Daylight Sensor, 1-relay, 360° lens <sup>9</sup>
<b>U1</b> Uplight - 1,000 Lumens, +7.5W	<b>ED</b> 0-10V Dimming	<b>347</b> 347V <sup>5</sup>	<b>C6TL15</b> 6' Cord and Twist-Lock™ Plug 15A (Add Voltage 1=120, 2=277)	<b>OS1A</b> Factory Installed On/Off Occupancy/Daylight Sensor, 1-relay, Aisle lens <sup>9</sup>
<b>U2</b> Uplight - 2,000 Lumens, +18.7W		<b>480</b> 480V <sup>5,11</sup>	<b>C6P151</b> 6' Cord and Straight Blade Plug 15A, 120V	<b>ODS1360</b> Factory Installed Dimming Occupancy/Daylight Sensor, 360° lens <sup>10</sup>
<b>U3</b> Uplight - 3,000 Lumens, +27.1W		See High Voltage Availability Table on Page 3	<b>F3C5</b> 5', 3-Conductor Cord	<b>NXWE</b> NX Wireless Enabled
<b>U4</b> Uplight - 4,000 Lumens, +40.4W			<b>F4C5</b> 5', 4-Conductor Cord	<b>NXSPH</b> NX, PIR Occupancy Sensor, Dimming Daylight Harvesting, High Mount
			<b>WG</b> Wire Guard	<b>NXSPWH</b> NX Wireless, PIR Occupancy Sensor, Dimming Daylight Harvesting, High Mount
			<b>GLR</b> Fast Blow Fuse	<b>NXE</b> NX Enabled, Dual SmartPorts <sup>12</sup>
			<b>SSP10</b> Surge Suppression Protection - 10kVA <sup>15</sup>	<b>NXESPH</b> NX Enabled, PIR Occupancy Sensor, Dimming Daylight Harvesting, High Mount <sup>12</sup>
			<b>ELL14</b> Emergency Battery Pack, 10 watt <sup>6,7,14</sup>	<b>NXWD</b> NX Wireless Enabled, Dual SmartPorts <sup>12</sup>
			<b>ELL40</b> Emergency Battery Pack, 20 watt <sup>6,7,14</sup>	<b>NXSWD</b> NX Wireless, PIR Occupancy Sensor, Dimming Daylight Harvesting, Dual SmartPorts <sup>12</sup>
			<b>GTD</b> Generator Transfer Device, Bodine <sup>8</sup>	
			<b>ATSD</b> Auxiliary Transfer Switch, Dual-Lite <sup>8</sup>	

**ACCESSORIES (ORDER SEPARATELY)**

<b>PELTH</b> Tong Hanger (Pair)	<b>PELWG4-4</b> 4ft Wireguard (Pair), White for 14 19/32" wide fixture
<b>PELFAW4-2</b> 2ft Frosted Acrylic Wide Distribution Lens (Pair), for 14 19/32" wide fixture	<b>PELWG6-2</b> 2ft Wireguard (Pair), White for 17 19/32" wide fixture
<b>PELFAW4-4</b> 4ft Frosted Acrylic Wide Distribution Lens (Pair), for 14 19/32" wide fixture	<b>PELWG6-4</b> 4ft Wireguard (Pair), White for 17 19/32" wide fixture
<b>PELFAW6-2</b> 2ft Frosted Acrylic Wide Distribution Lens (Pair), for 17 19/32" wide fixture	<b>LHVQM5</b> Aircraft Cable, 5' (Pair)
<b>PELFAW6-4</b> 4ft Frosted Acrylic Wide Distribution Lens (Pair), for 17 19/32" wide fixture	<b>LHVQM10</b> Aircraft Cable, 10' (Pair)
<b>PELFAN4-2</b> 2ft Frosted Acrylic Narrow Distribution Lens (Pair), for 14 19/32" wide fixture	<b>PELSPM5</b> Single Point Mounting, Includes Pair of 5' Aircraft Cables <sup>13</sup>
<b>PELFAN4-4</b> 4ft Frosted Acrylic Narrow Distribution Lens (Pair), for 14 19/32" wide fixture	<b>PELSPM10</b> Single Point Mounting, Includes Pair of 10' Aircraft Cables <sup>13</sup>
<b>PELFAN6-2</b> 2ft Frosted Acrylic Narrow Distribution Lens (Pair), for 17 19/32" wide fixture	<b>WSPPEMUNV</b> Hubbell Wasp2 End Mount Occupancy/Daylight Sensor, 120/277/347V
<b>PELFAN6-4</b> 4ft Frosted Acrylic Narrow Distribution Lens (Pair), for 17 19/32" wide fixture	<b>WSPPEM480</b> Hubbell Wasp2 End Mount Occupancy/Daylight Sensor, 480V
<b>PELWG4-2</b> 2ft Wireguard (Pair), White for 14 19/32" wide fixture	<b>WSP-L360-WH</b> Hubbell Wasp2 High Bay Sensor Lens, 360 Degree, White

<sup>1</sup> Nominal lumen output. Refer to performance tables for exact values and available lumen outputs for fixture size.

<sup>2</sup> Uplight nominal lumen output at 4000K, 80 CRI. Refer to photometric reports for distribution.

<sup>3</sup> Uplight not available with 347/480V, ELL14, ELL40 or 2ft single point mount.

<sup>4</sup> Uplight power leads are tied to normal power wiring as standard. Uplight requires SSP10 (Surge Suppression Protection - 10kVA).

<sup>5</sup> 347/480V option not available with ELL14/ELL40 EM packs, 2ft 30,000 lumen output or GLR fuse option.

<sup>6</sup> ELL14 = 1955 lms, ELL40 = 4156 lms.

<sup>7</sup> ELL40 and ELL14 options require cable mounting.

<sup>8</sup> GTD and ATSD available for 120-277V and EU, fixed output, driver options only.

Page 2/8 Rev. 08/13/18

<sup>9</sup> OS1360/A sensor option will use HCS Wasp2 surface mount sensor.

<sup>10</sup> ODS1360/A sensor option will use Wattstopper FSP221B.

<sup>11</sup> NX not available for 480V.

<sup>12</sup> Single point mount option not available when NX Dual Port options used.

<sup>13</sup> Single point mount not available for 2ft 30,000 lumen output.

<sup>14</sup> Single point mount not available for 2ft 30,000 lumen output.

<sup>15</sup> Cannot be combined with GLR option.

<sup>16</sup> Cannot be combined with ELL14 or ELL40 battery options.

PELTON PREDICTED LIFE					LUMEN MAINTENANCE		
CALCULATED HOURS, STANDARD EFFICACY	SIZE	LUMEN PACKAGE	NOMINAL LUMENS	AMBIENT OPERATING TEMP.	L70	L80	L90
		2'	LH	8,000	25°C	201,000	128,000
65°C					176,000	112,000	56,000
LX			12,000	25°C	192,000	123,000	61,000
				55°C	161,000	103,000	51,000
ML			15,000	25°C	179,000	114,000	57,000
				55°C	134,000	86,000	43,000
MM		18,000	25°C	189,000	120,000	60,000	
			55°C	154,000	98,000	49,000	
MH		24,000	25°C	197,000	126,000	63,000	
			55°C	169,000	108,000	54,000	
MV		30,000	25°C	184,000	117,000	59,000	
			50°C	156,000	100,000	50,000	
4'		MM	18,000	25°C	201,000	128,000	64,000
				55°C	180,000	115,000	58,000
		MH	24,000	25°C	201,000	128,000	64,000
				55°C	179,000	114,000	57,000
		MV	30,000	25°C	184,000	117,000	59,000
				55°C	144,000	92,000	46,000
	MX	36,000	25°C	194,000	124,000	62,000	
			55°C	166,000	106,000	53,000	
	HM	48,000	25°C	192,000	123,000	61,000	
			55°C	161,000	103,000	51,000	
	HH	60,000	25°C	174,000	111,000	56,000	
			45°C	145,000	93,000	46,000	

PELTON PREDICTED LIFE					LUMEN MAINTENANCE		
CALCULATED HOURS, HIGH EFFICACY	SIZE	LUMEN PACKAGE	NOMINAL LUMENS	AMBIENT OPERATING TEMP.	L70	L80	L90
		2'	LH	8,000	25°C	201,000	128,000
55°C					181,000	116,000	58,000
LX			12,000	25°C	197,000	126,000	63,000
				55°C	169,000	108,000	54,000
ML			15,000	25°C	201,000	128,000	64,000
				55°C	183,000	117,000	58,000
MM		18,000	25°C	201,000	128,000	64,000	
			55°C	180,000	115,000	58,000	
4'		MM	18,000	25°C	201,000	128,000	64,000
				55°C	188,000	120,000	60,000
		MH	24,000	25°C	201,000	128,000	64,000
				55°C	184,000	117,000	59,000
		MV	30,000	25°C	201,000	128,000	64,000
				55°C	179,000	115,000	57,000
MX		36,000	25°C	199,000	127,000	64,000	
			60°C	170,000	109,000	54,000	

MAX. AMBIENT OPERATING TEMP. (MOUNTED AT LEAST 12" FROM CEILING)						
CALCULATED HOURS	SIZE	LUMEN OUTPUT	NOMINAL LUMENS	NO UPLIGHT		UPLIGHT
				NO EM PACK	EM PACK	NO EM PACK
					2'	LH
LHHE	8,000	55°C	45°C			45°C
LX	12,000	55°C	45°C			45°C
LXHE	12,000	55°C	45°C			45°C
ML	16,000	55°C	45°C			45°C
MLHE	16,000	55°C	45°C			45°C
MM	18,000	55°C	45°C			45°C
MMHE	18,000	55°C	45°C			45°C
MH	24,000	55°C	45°C			45°C
MV	30,000	50°C	45°C		45°C	
4'	MM	24,000	60°C		45°C	45°C
	MMHE	24,000	55°C		45°C	45°C
	MH	24,000	55°C		45°C	45°C
	MHHE	24,000	55°C		45°C	45°C
	MV	30,000	55°C		45°C	45°C
	MVHE	30,000	55°C		45°C	45°C
	MX	36,000	55°C		45°C	45°C
	MXHE	36,000	60°C		45°C	45°C
	HM	48,000	55°C	45°C	45°C	
HH	60,000	45°C	45°C	45°C		

HIGH VOLTAGE AVAILABILITY TABLE		
347V/480V		
SIZE	LUMEN NOMENCLATURE	NOMINAL LUMENS
2'	LH	8,000
	LHHE	8,000
	LX	12,000
	LXHE	12,000
	ML	15,000
	MLHE	15,000
4'	MM	18,000
	MMHE	18,000
	MH	24,000
	MHHE	24,000
	MV	30,000
	MVHE	30,000
	MX	36,000
MXHE	36,000	
	HM	48,000

\*Max ambient rating on surface mount 35°C.

STANDARD EFFICACY PERFORMANCE TABLE									
FIXTURE	SIZE	COLOR	NOMINAL LUMENS	LENS	DISTRIBUTION	LUMENS	WATTS (277V)	LPW	REPLACES LEGACY SOURCE
PEL2-40LH-FAW	2'	4000K	LH 8,000	FROSTED ACRYLIC	WIDE	8210	51.8	158	100W MH 4-LAMP T8
PEL2-40LH-FAN					NARROW	8217	51.5	160	
PEL2-40LH-NL				NL	8813	51.6	171		
PEL2-50LH-FAW		5000K		FROSTED ACRYLIC	WIDE	8210	51.8	158	
PEL2-50LH-FAN					NARROW	8217	51.5	160	
PEL2-50LH-NL				NL	8813	51.6	171		
PEL2-40LX-FAW	2'	4000K	LX 12,000	FROSTED ACRYLIC	WIDE	12229	78.6	156	175W MH 4-LAMP HL T8 2-LAMP T5HO
PEL2-40LX-FAN					NARROW	12206	78.2	156	
PEL2-40LX-NL				NL	13148	78.3	168		
PEL2-50LX-FAW		5000K		FROSTED ACRYLIC	WIDE	12229	78.6	156	
PEL2-50LX-FAN					NARROW	12206	78.2	156	
PEL2-50LX-NL				NL	13148	78.3	168		
PEL2-40ML-FAW	2'	4000K	ML 16,000	FROSTED ACRYLIC	WIDE	15207	96.5	158	200W MH 6-LAMP T8
PEL2-40ML-FAN					NARROW	15543	99.2	157	
PEL2-40ML-NL				NL	16870	99.5	170		
PEL2-50ML-FAW		5000K		FROSTED ACRYLIC	WIDE	15207	96.5	158	
PEL2-50ML-FAN					NARROW	15543	99.2	157	
PEL2-50ML-NL				NL	16870	99.5	170		
PEL2-40MM-FAW	2'	4000K	MM 18,000	FROSTED ACRYLIC	WIDE	18731	122.7	153	250W MH 6-LAMP HL T8 4-LAMP T5HO
PEL2-40MM-FAN					NARROW	18512	122.7	151	
PEL2-40MM-NL				NL	20336	122.7	166		
PEL2-50MM-FAW		5000K		FROSTED ACRYLIC	WIDE	18731	122.7	153	
PEL2-50MM-FAN					NARROW	18512	122.7	151	
PEL2-50MM-NL				NL	20336	122.7	166		
PEL2-40MH-FAW	2'	4000K	MH 24,000	FROSTED ACRYLIC	WIDE	24327	157.9	154	400W MH 8-LAMP HL T8 6-LAMP T5HO
PEL2-40MH-FAN					NARROW	24180	157.8	153	
PEL2-40MH-NL				NL	26580	158.5	168		
PEL2-50MH-FAW		5000K		FROSTED ACRYLIC	WIDE	25035	158.6	158	
PEL2-50MH-FAN					NARROW	24178	158.6	152	
PEL2-50MH-NL				NL	26544	159.1	167		
PEL2-40MV-FAW	2'	4000K	MV 30,000	FROSTED ACRYLIC	WIDE	30311	206	147	400-750W MH 10-LAMP HL T8
PEL2-40MV-FAN					NARROW	30084	205.8	146	
PEL2-40MV-NL				NL	33262	206.5	161		
PEL2-50MV-FAW		5000K		FROSTED ACRYLIC	WIDE	30311	206	147	
PEL2-50MV-FAN					NARROW	30084	205.8	146	
PEL2-50MV-NL				NL	33262	206.5	161		
PEL4-40MM-FAW	4'	4000K	MM 18,000	FROSTED ACRYLIC	WIDE	18124	113.8	159	400W MH 8-LAMP HL T8 6-LAMP T5HO
PEL4-40MM-FAN					NARROW	18190	114.1	159	
PEL4-40MM-NL				NL	19506	114.3	171		
PEL4-50MM-FAW		5000K		FROSTED ACRYLIC	WIDE	18124	113.8	159	
PEL4-50MM-FAN					NARROW	18190	114.1	159	
PEL4-50MM-NL				NL	19506	114.3	171		
PEL4-40MH-FAW	4'	4000K	MH 24,000	FROSTED ACRYLIC	WIDE	23853	152.7	156	400W MH 8-LAMP HL T8 6-LAMP T5HO
PEL4-40MH-FAN					NARROW	24025	153.4	157	
PEL4-40MH-NL				NL	25664	153.7	167		
PEL4-50MH-FAW		5000K		FROSTED ACRYLIC	WIDE	23723	152.5	156	
PEL4-50MH-FAN					NARROW	23923	152.5	157	
PEL4-50MH-NL				NL	25554	152.8	167		
PEL4-40MV-FAW	4'	4000K	MV 30,000	FROSTED ACRYLIC	WIDE	29887	197.4	151	400-750W MH 10-LAMP HL T8
PEL4-40MV-FAN					NARROW	29932	198.6	151	
PEL4-40MV-NL				NL	32198	198.9	162		
PEL4-50MV-FAW		5000K		FROSTED ACRYLIC	WIDE	29887	197.4	151	
PEL4-50MV-FAN					NARROW	29932	198.6	151	
PEL4-50MV-NL				NL	32198	198.9	162		
PEL4-40MX-FAW	4'	4000K	MX 36,000	FROSTED ACRYLIC	WIDE	35869	229.6	156	750W MH 8-LAMP T5HO
PEL4-40MX-FAN					NARROW	35493	229.6	155	
PEL4-40MX-NL				NL	38642	230.4	168		
PEL4-50MX-FAW		5000K		FROSTED ACRYLIC	WIDE	35869	229.6	156	
PEL4-50MX-FAN					NARROW	35493	229.6	155	
PEL4-50MX-NL				NL	38642	230.4	168		
PEL4-40HM-FAW	4'	4000K	HM 48,000	FROSTED ACRYLIC	WIDE	46786	297	158	1,000W MH
PEL4-40HM-FAN					NARROW	46138	296.6	156	
PEL4-40HM-NL				NL	50424	297.3	170		
PEL4-50HM-FAW		5000K		FROSTED ACRYLIC	WIDE	46786	297	158	
PEL4-50HM-FAN					NARROW	46138	296.6	156	
PEL4-50HM-NL				NL	50424	297.3	170		

When ordering uplight, please see ordering information for additional input watts.

(continued on next page)

(continued from previous page)

STANDARD EFFICACY PERFORMANCE TABLE									
FIXTURE	SIZE	COLOR	NOMINAL LUMENS	LENS	DISTRIBUTION	LUMENS	WATTS (277V)	LPW	REPLACES LEGACY SOURCE
PEL4-40HH-FAW	4'	4000K	HH 60,000	FROSTED ACRYLIC	WIDE	61132	409	149	1,000W MH
PEL4-40HH-FAN					NARROW	60257	408.8	147	
PEL4-40HH-NL				NL	66210	410.2	161		
PEL4-50HH-FAW		5000K		FROSTED ACRYLIC	WIDE	61132	409	149	
PEL4-50HH-FAN					NARROW	60257	408.8	147	
PEL4-50HH-NL				NL	66210	410.2	161		

When ordering uplight, please see ordering information for additional input watts.

HIGH EFFICACY PERFORMANCE TABLE									
FIXTURE	SIZE	COLOR	NOMINAL LUMENS	LENS	DISTRIBUTION	LUMENS	WATTS (277V)	LPW	REPLACES LEGACY SOURCE
PEL2-40LHHE-FAW	2'	4000K	LHHE 8,000	FROSTED ACRYLIC	WIDE	7851	48.6	162	100W MH 4-LAMP T8
PEL2-40LHHE-FAN					NARROW	7891	48.6	162	
PEL2-40LHHE-NL				NL	8478	48.6	174		
PEL2-50LHHE-FAW		5000K		FROSTED ACRYLIC	WIDE	7851	48.6	162	
PEL2-50LHHE-FAN					NARROW	7891	48.6	162	
PEL2-50LHHE-NL				NL	8478	48.6	174		
PEL2-40LXHE-FAW	2'	4000K	LXHE 12,000	FROSTED ACRYLIC	WIDE	11752	73	161	175W MH 4-LAMP HL T8 2-LAMP T5HO
PEL2-40LXHE-FAN					NARROW	11779	73	161	
PEL2-40LXHE-NL				NL	12715	73.1	174		
PEL2-50LXHE-FAW		5000K		FROSTED ACRYLIC	WIDE	11752	73	161	
PEL2-50LXHE-FAN					NARROW	11779	73	161	
PEL2-50LXHE-NL				NL	12715	73.1	174		
PEL2-40MLHE-FAW	2'	4000K	MLHE 15,000	FROSTED ACRYLIC	WIDE	15029	92.2	163	200W MH 6-LAMP T8
PEL2-40MLHE-FAN					NARROW	14875	92.2	161	
PEL2-40MLHE-NL				NL	16332	92.3	177		
PEL2-50MLHE-FAW		5000K		FROSTED ACRYLIC	WIDE	15029	92.2	163	
PEL2-50MLHE-FAN					NARROW	14875	92.2	161	
PEL2-50MLHE-NL				NL	16332	92.3	177		
PEL2-40MMHE-FAW	2'	4000K	MMHE 18,000	FROSTED ACRYLIC	WIDE	18043	114.1	158	250W MH 6-LAMP HL T8 4-LAMP T5HO
PEL2-40MMHE-FAN					NARROW	17832	114.1	156	
PEL2-40MMHE-NL				NL	19632	114.3	172		
PEL2-50MMHE-FAW		5000K		FROSTED ACRYLIC	WIDE	18043	114.1	158	
PEL2-50MMHE-FAN					NARROW	17832	114.1	156	
PEL2-50MMHE-NL				NL	19632	114.3	172		
PEL4-40MMHE-FAW	4'	4000K	MMHE 18,000	FROSTED ACRYLIC	WIDE	17799	108.5	163	400W MH 8-LAMP HL T8 6-LAMP T5HO
PEL4-40MMHE-FAN					NARROW	17635	108.5	163	
PEL4-40MMHE-NL				NL	19088	108.7	176		
PEL4-50MMHE-FAW		5000K		FROSTED ACRYLIC	WIDE	17799	108.5	163	
PEL4-50MMHE-FAN					NARROW	17635	108.5	163	
PEL4-50MMHE-NL				NL	19088	108.7	176		
PEL4-40MHHE-FAW	4'	4000K	MHHE 24,000	FROSTED ACRYLIC	WIDE	24906	153.9	162	400-750W MH 10-LAMP HL T8
PEL4-40MHHE-FAN					NARROW	24525	153.9	159	
PEL4-40MHHE-NL				NL	26762	154.1	174		
PEL4-50MHHE-FAW		5000K		FROSTED ACRYLIC	WIDE	24906	153.9	162	
PEL4-50MHHE-FAN					NARROW	24525	153.9	159	
PEL4-50MHHE-NL				NL	26762	154.1	174		
PEL4-40MVHE-FAW	4'	4000K	MVHE 30,000	FROSTED ACRYLIC	WIDE	29778	182.1	164	750W MH 8-LAMP T5HO
PEL4-40MVHE-FAN					NARROW	29541	182	162	
PEL4-40MVHE-NL				NL	32018	182.3	176		
PEL4-50MVHE-FAW		5000K		FROSTED ACRYLIC	WIDE	29778	182.1	164	
PEL4-50MVHE-FAN					NARROW	29541	182	162	
PEL4-50MVHE-NL				NL	32018	182.3	176		
PEL4-40MXHE-FAW	4'	4000K	MXHE 36,000	FROSTED ACRYLIC	WIDE	35861	221.4	162	1,000W MH
PEL4-40MXHE-FAN					NARROW	35436	221.4	160	
PEL4-40MXHE-NL				NL	38548	221.9	174		
PEL4-50MXHE-FAW		5000K		FROSTED ACRYLIC	WIDE	35861	221.4	162	
PEL4-50MXHE-FAN					NARROW	35436	221.4	160	
PEL4-50MXHE-NL				NL	38548	221.9	174		

When ordering uplight, please see ordering information for additional input watts.

**PHOTOMETRIC DATA**

Test# 20526 Test Date 4/6/2018

**LUMINAIRE DATA**

Luminaire	PEL2-50MM-HE-FAW-EDU Peloton Led Highbay, Industrial 2' Linear, Dual-Segment w/ 6 LED Boards & Frosted Acrylic Wide-Distribution Lens
Ballast	XI190C275V054BSG1
Ballast Factor	1.00
Lamp	LED
Fixture Lumens	18054
Watts	114.14
Mounting	Recessed
Shielding Angle	0° = 90 90° = 90
Spacing Criterion	0° = 1.28 90° = 1.35
Luminous Opening in feet	Length: 1.96 Width: 1.42 Height: 0.08

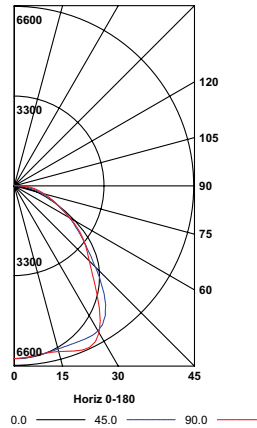
**ENERGY DATA**

Total Luminaire Efficiency	100.0%
Total Lumens per Watt	158
ANSI/IESNA RP-1-2004 Compliance	Noncompliant
Comparative Yearly Lighting Energy Cost per 1000 Lumens	\$1.52 based on 3000 hrs. and \$0.08 per KWH

**ZONAL LUMEN SUMMARY**

Zone	Lumens	%Lamp	%Fixt.
0-30	5201	28.8	28.8
0-40	8646	47.9	47.9
0-60	14561	80.7	80.7
0-90	17906	99.2	99.2
0-180	18054	100.0	100.0

**INDOOR CANDELA PLOT**



Test# 20523 Test Date 4/6/2018

**LUMINAIRE DATA**

Luminaire	PEL2-50MM-HE-FAN-EDU Peloton Led Highbay, Industrial 2' Linear, Dual-Segment w/ 6 LED Boards & Frosted Acrylic Narrow-Distribution Lens
Ballast	XI190C275V054BSG1
Ballast Factor	1.00
Lamp	LED
Fixture Lumens	17852
Watts	114.07
Mounting	Recessed
Shielding Angle	0° = 90 90° = 90
Spacing Criterion	0° = 1.12 90° = 0.72
Luminous Opening in feet	Length: 1.96 Width: 1.42 Height: 0.08

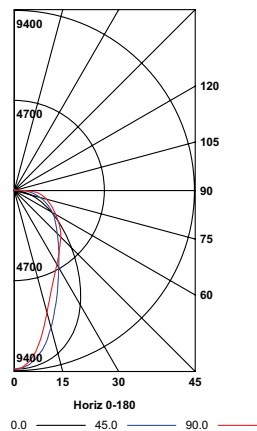
**ENERGY DATA**

Total Luminaire Efficiency	100.0%
Total Lumens per Watt	156
ANSI/IESNA RP-1-2004 Compliance	Noncompliant
Comparative Yearly Lighting Energy Cost per 1000 Lumens	\$1.53 based on 3000 hrs. and \$0.08 per KWH

**ZONAL LUMEN SUMMARY**

Zone	Lumens	%Lamp	%Fixt.
0-30	5649	31.6	31.6
0-40	8440	47.3	47.3
0-60	13433	75.2	75.2
0-90	17584	98.5	98.5
0-180	17852	100.0	100.0

**INDOOR CANDELA PLOT**



Test# 20529 Test Date 4/6/2018

**LUMINAIRE DATA**

Luminaire	PEL2-50MM-HE-NL-EDU Peloton Led Highbay, Industrial 2' Linear, Dual-Segment w/ 6 LED Boards, No Lens
Ballast	XI190C275V054BSG1
Ballast Factor	1.00
Lamp	LED
Fixture Lumens	19634
Watts	114.32
Mounting	Recessed
Shielding Angle	0° = 90 90° = 90
Spacing Criterion	0° = 1.30 90° = 1.29
Luminous Opening in feet	Length: 1.96 Width: 1.42 Height: 0.08

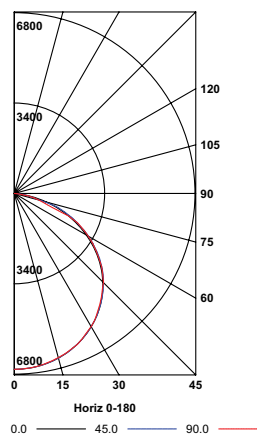
**ENERGY DATA**

Total Luminaire Efficiency	100.0%
Total Lumens per Watt	172
ANSI/IESNA RP-1-2004 Compliance	Noncompliant
Comparative Yearly Lighting Energy Cost per 1000 Lumens	\$1.40 based on 3000 hrs. and \$0.08 per KWH

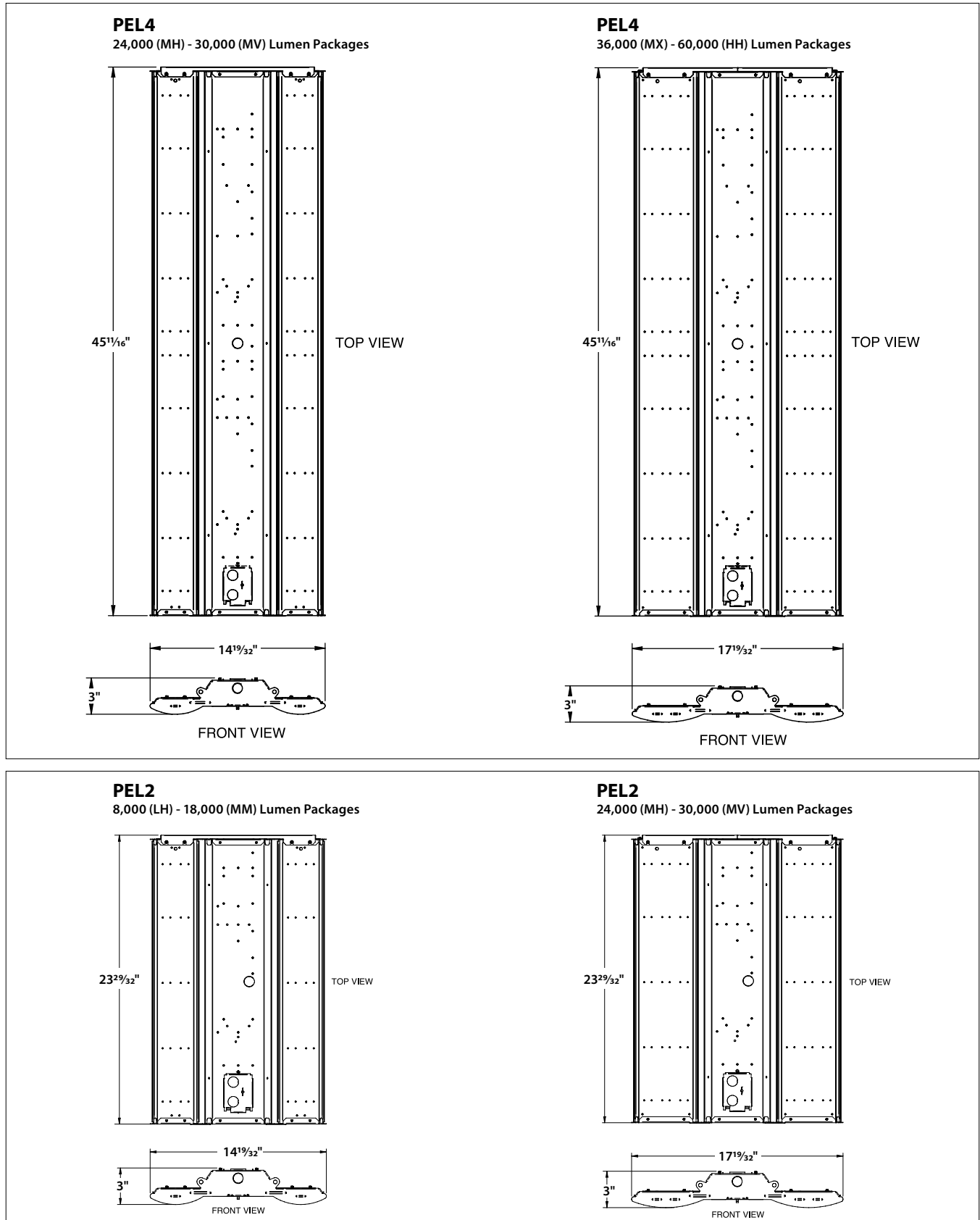
**ZONAL LUMEN SUMMARY**

Zone	Lumens	%Lamp	%Fixt.
0-30	5225	26.6	26.6
0-40	8655	44.1	44.1
0-60	15653	79.7	79.7
0-90	19627	100.0	100.0
0-180	19634	100.0	100.0

**INDOOR CANDELA PLOT**



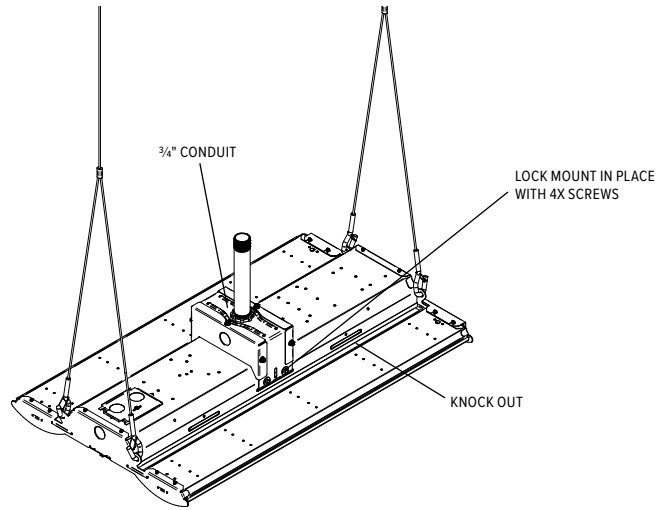
**DIMENSIONAL DATA**



**MOUNTING OPTIONS PAGE**

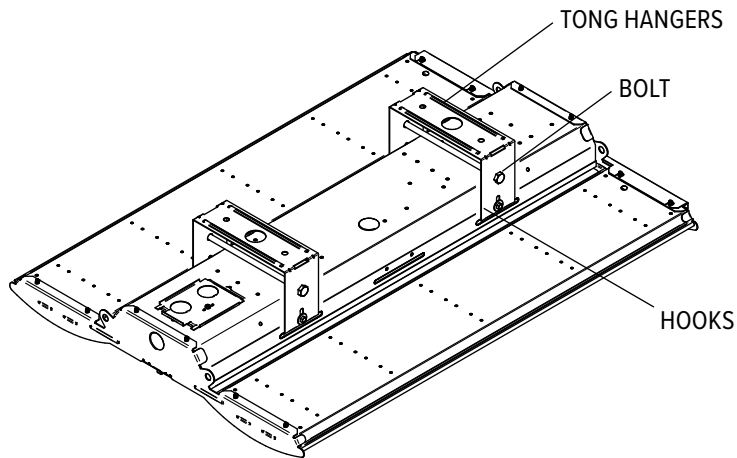
**SINGLE POINT MOUNTING**

PELSPM5  
PELSPM10



**TONG HANGER MOUNTING**

PELTH



**WIRE GUARD**

PELWG4-4  
PELWG6-2  
PELWG6-4

