

1419

CARSON[®] *Spec Grade*

COVER

Style:	Flush
Material:	HDPE
Model:	14" x 19"
Weight:	3 lbs
Std. Fasteners:	3/8" Hex Bolt
Options:	Logos and Special Markings
Surface:	Skid Resistant & Marked*
Performance:	Pedestrian, ASTM C857, WUC 3.6

Cover comes standard with permanent markings for manufacturer and model size.

BODY

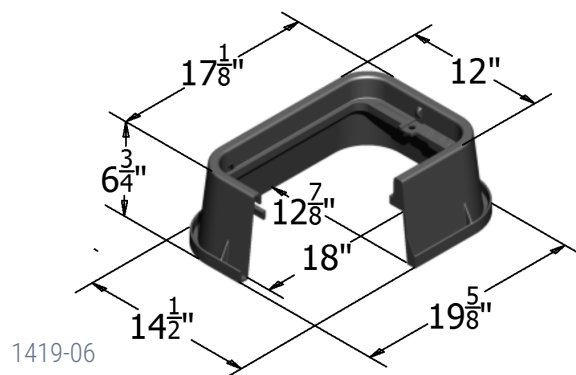
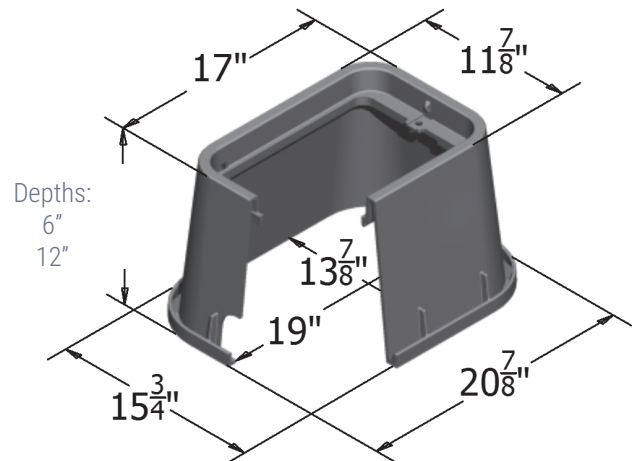
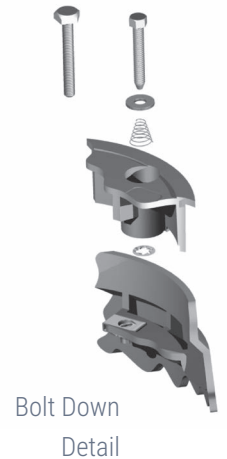
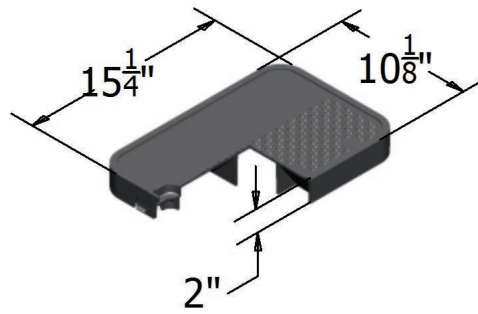
Material:	HDPE
Model:	14" x 19"
Weight:	6" Depth: 5 lbs 12" Depth: 7 lbs
Wall Type:	Flared
Mouseholes:	2
Performance:	Pedestrian, ASTM C857, WUC 3.6

LOAD RATING / NOTES



LIGHT DUTY
PEDESTRIAN / GREENBELT

For use in non-vehicular traffic situations only.
Weights and dimensions may vary slightly.
Actual load rating is determined by the box and cover combination.



1419-06

1419

CARSON[®] *Spec Grade*

COVER OPTIONS

- HDPE, T-Cover Solid
- HDPE, T-Cover with Plastic Reader Door
- HDPE, T-Cover with Cast Iron Reader Door
- HDPE, T-Cover Hinged
- HDPE, Flush Solid
- HDPE, Flush with Plastic Reader Door
- HDPE, Flush with Cast Iron Reader Door
- HDPE, Flush Hinged

COLOR OPTIONS

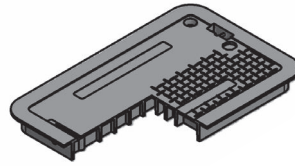
- Cover: Black, Green, Gray, Tan, Purple
- Body: Black, Green, Gray, Tan, Purple
- Extension: Black, Green, Gray, Tan, Purple

FASTENER OPTIONS

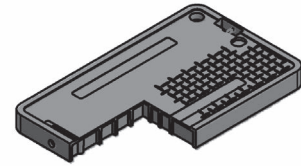
- Hex Head Bolt (A)
- Penta Head Bolt (B)
- Penta Head Coil Thread Bolt (B)
- Oldcastle Vandal Resistant Bolt (C)
- Captive Bolt Retainer
- Drop-N-Lock™

ADD ON OPTIONS

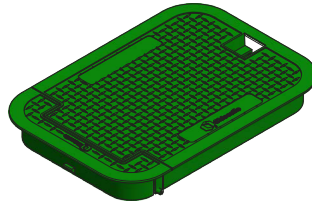
- AMR Friendly Solutions
- Touch Read Hole
- EMS Marker
- Racking Provision



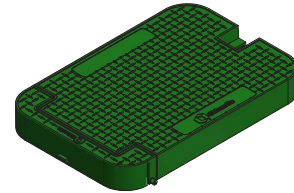
T-Cover Solid



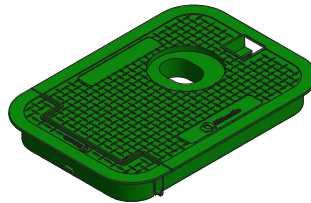
Flush Solid



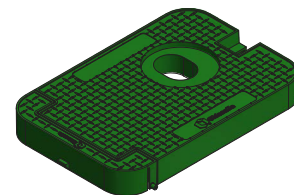
T-Cover Hinged



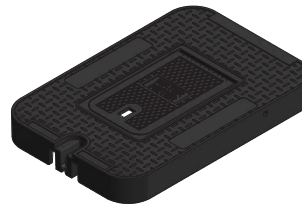
Flush Hinged



T-Cover Hinged
with AMR Recess



Flush Hinged
with AMR Recess



Reader Door Detail



Standard Thread



A



B



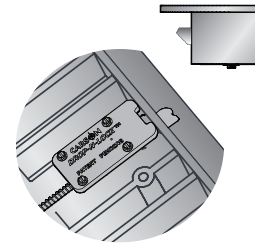
C



Coil Thread



Bolt Retainer
(for standard thread)



Drop-N-Lock
(T-Cover only)



EMS Marker

⚠ WARNING: Cancer - www.P65Warnings.ca.gov

All information contained on this sheet is current at the time of publication.
Oldcastle reserves the right to discontinue or update product information without notice.

Revision 04/05/21
© 2021 Oldcastle Infrastructure