

PELTON™ SINGLE POINT MOUNTING INSTALLATION

Note: PELSMP not compatible with 2' upright models or 2' 30,000 lumen model.

STEP 1

Remove indicated knock outs, both sides.

STEP 2

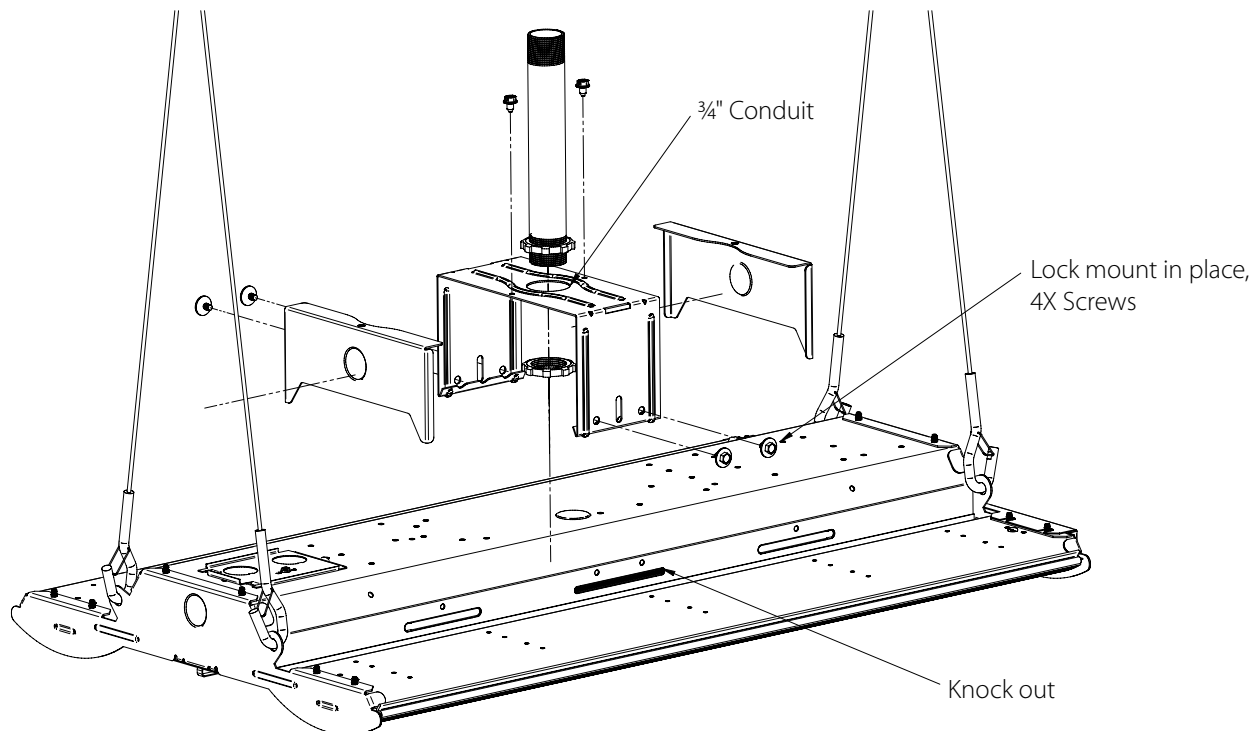
Attach SPM bracket to housing. Be sure that hooks engage housing.

STEP 3

Lock bracket in place using 4 screws.

STEP 4

Attach SPM end caps using supplied screws.



*SPM bracket includes 3/4" conduit feed.

*SPM kit includes PELQM aircraft cables.