

# LFX-LARAMIE EXTRA LARGE FLOODLIGHT

Cat.#

Job

Type



**HUBBELL**  
Outdoor Lighting

Approvals

## SPECIFICATIONS

### Intended Use:

Superior high output, high efficiency LED floodlight with a variety of NEMA distributions for lighting applications such as general and security lighting for large areas, building facades, and signage.

### Construction:

- Heavy duty die-cast aluminum housing with UV stabilized powder coat paint finish
- Heat and impact resistant tempered glass lens

### LED:

- 4 high output COB LED's
- 3000K, 4000K, 5000K CCT 70 CRI
- Stock Versions only available in 5000K and 4000K CCT

### Optical/Electrical:

- Distributions: Wide, Medium, and Narrow; Stock versions only available in Wide distribution
- 120-277V operation 50/60Hz
- 347-480V operation 50/60Hz (made-to-order only)
- Standard with 10kV surge protection device
- 0-10V dimming driver standard, dimming leads must be extended for connection to control systems
- Driver RoHS compliant and IP66

### Installation:

- Heavy duty yoke mount with 3 ft. SO cord
- Knuckle slipfitter mount (made-to-order only)

### Listings:

- IP65, Listed to UL1598 for use in wet locations
- EPA = 2.8ft2
- DesignLights Consortium (DLC) qualified Consult DLC website for more details: <http://www.designlights.org/QL>

### Warranty:

For more information visit:  
<http://www.hubbellighting.com/resources/warranty/>

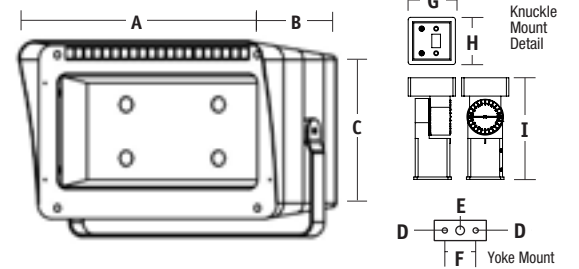
## PRODUCT IMAGE(S)



Shown with Wide  
Optic distribution

Shown with  
Medium/Narrow  
Optic distribution

## DIMENSIONS



A	B	C	D	E	F	G	H	I
23.1"	14.6"	18.9"	.51"	.86"	3.14"	3.86"	3.86"	8.31"
587mm	370mm	480mm	12mm	22mm	80mm	98mm	98mm	211mm

## CERTIFICATIONS/LISTINGS

**IP65** tradeSELECT<sup>®</sup>



## SHIPPING INFORMATION

Catalog Number	G.W.(kg)/CTN	Carton Dimensions		
		Length Inch (cm)	Width Inch (cm)	Height Inch (cm)
LFX (Single Carton)	63 (29) lbs	24" (60)	16.5" (42)	15.625" (40)

Carton dimensions for shipping purposes only

## ORDERING INFORMATION - STOCK VERSION

Catalog Number	Mount	Max Candle Power	Beam Pattern	Wattage	Voltage	Color Temperature/ CRI	Lumens	LPW	Weight lbs. (kg)	Finish
LFX-345-4K-Y-7PR	Yoke	16,435	Wide	341w	120-277V	4000K/70	37,313	109	63 (28.57)	Dark Bronze
LFX-345-Y-7PR	Yoke	15,554	Wide	341w	120-277V	5000K/70	35,312	104	63 (28.57)	Textured

## ORDERING INFORMATION - MADE TO ORDER

FAMILY	# LEDS	WATTS	CCT/CRI	DISTRIBUTION	VOLTAGE	MOUNTING	FINISH <sup>1</sup>	CONTROL OPTION
LFX Laramie XL	4L 4 LED	345 341w	3K7 3000K, 70 CRI 4K7 4000K, 70 CRI 5K7 5000K, 70 CRI	N Narrow M Medium W Wide	UNV 120V-277V UHV 347V-480V	K Knuckle Y Yoke	DB Dark Bronze, Textured	7PR 7 pin NEMA twist lock photocell receptacle

1 - Additional finishes available, consult factory

## ACCESSORIES & REPLACEMENT PARTS - Order Separately

Catalog Number	Description
LFX-SPC	Vandal Shield Polycarbonate
LFX-TV	Top Visor
LFX-WG	Wire Guard



Optional 7 pin NEMA twist lock photocell receptacle



Hubbell Outdoor Lighting • 701 Millennium Boulevard • Greenville, SC 29607 • Phone: 864-678-1000

Due to our continued efforts to improve our products, product specifications are subject to change without notice.

© 2018 HUBBELL OUTDOOR LIGHTING, All Rights Reserved • For more information visit our website: [www.hubbelloutdoor.com](http://www.hubbelloutdoor.com) • Printed in USA LFX-SPEC March 27, 2018 1:39 PM

**Accessories and Services (Ordered Separately)**

Catalog Number	Description
SCP-REMOTE	Remote Control for SCP/_F option. Order at least one per project to program and control the occupancy sensor
SWUSB*	SiteSync interface software loaded on USB flash drive for use with owner supplied PC (Windows based only). Includes SiteSync license, software and USB radio bridge node
SWTAB*	Windows tablet and SiteSync interface software. Includes tablet with preloaded software, SiteSync license and USB radio bridge node.
SWBRG	SiteSync USB radio bridge node only. Order if a replacement is required or if an extra bridge node is requested.
SW7PR <sup>+</sup>	SiteSync 7 Pin on fixture module On/Off/Dim, Daylight Sensor 120-480VAC

\* When ordering SiteSync at least one of these two interface options must be ordered per project.  
 + Available as a SiteSync retrofit solution for fixtures with an existing 7pin receptacle.

**Hubbell Control Solutions - Accessories (sold separately)**

Catalog Number	Description	HCS System
NX0FM-1R1D-UNV	On-fixture Module (7-pin), On / Off / Dim, Daylight Sensor with HubbNET Radio and Bluetooth® Radio, 120-480VAC	NX Distributed Intelligence™
WIR-RME-L	On-fixture Module (7-pin or 5-pin), On / Off / Dim, Daylight Sensor with wiSCAPE Radio, 110-480VAC	wiSCAPE™ Lighting Control

For additional information related to these accessories please visit [www.hubbellcontrolsolutions.com](http://www.hubbellcontrolsolutions.com). Options provided for use with integrated sensor, please view specification sheet ordering information table for details.

**SiteSync 7-Pin Module**



SW7PR

- All of the SiteSync Features in a new form
- Available as an accessory for new construction or retrofit applications (with existing 7-Pin receptacle)
- Available on all products that have a 7-Pin receptacle



**PERFORMANCE DATA - Stock**

# OF LEDS	DRIVE CURRENT	SYSTEM WATTS	DISTRIBUTION TYPE	NEMA	FIELD ANGLE H° X V°	5K (5000K nominal, 70 CRI)			4K (4000K nominal, 70 CRI)		
						LUMENS	LPW <sup>1</sup>	MAX BEAM CANDLEPOWER	LUMENS	LPW	MAX BEAM CANDLEPOWER
4	1480mA	341W	W	7 x 7	136.6° X 129.8°	35,312	104	15,554	37,313	109	16,435

1 - Lumen values are from photometric tests performed in accordance with IESNA LM-79-08. Data is considered to be representative of the configurations shown. Actual performance may differ as a result of end-user environment, application and inherent performance tolerances of the electrical components.

**PERFORMANCE DATA - MTO**

# OF LEDS	DRIVE CURRENT	SYSTEM WATTS	DIST. TYPE	NEMA	FIELD ANGLE H° X V°	5K (5000K nominal, 70 CRI)			4K (4000K nominal, 70 CRI)			3K (3000K nominal, 80 CRI)		
						LUMENS	LPW <sup>1</sup>	MAX BEAM CANDLEPOWER	LUMENS	LPW <sup>1</sup>	MAX BEAM CANDLEPOWER	LUMENS	LPW <sup>1</sup>	MAX BEAM CANDLEPOWER
4	1480mA	341W	N	4 x 4	47.2° X 47.1°	35,455	104	146,540	37,464	110	154,844	35,849	105	148,167
			M	5 x 5	75.2° X 74.2°	35,338	104	92,643	37,340	110	97,893	35,730	105	93,671
			W	7 x 7	136.6° X 129.8°	35,312	104	15,554	37,313	109	16,435	35,704	105	15,900

1 - Lumen values are from photometric tests performed in accordance with IESNA LM-79-08. Data is considered to be representative of the configurations shown. Actual performance may differ as a result of end-user environment and application.

**PROJECTED LUMEN MAINTENANCE**

AMBIENT TEMP.	OPERATING HOURS – FLL-28L					Calculated L70 (HOURS)
	0	25,000	50,000	<sup>1</sup> TM-21-11 60,000	100,000	
25°C / 77°F	1.00	.93	.88	.86	.79	>149,000
40°C / 104°F	1.00	.93	.89	.85	.77	>132,000

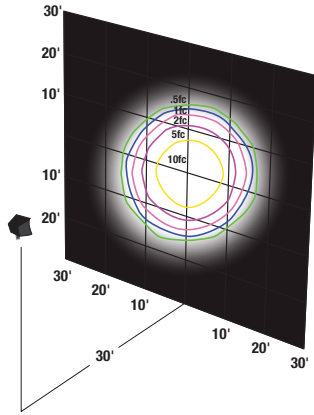
**ELECTRICAL DATA**

# OF LEDS	NUMBER OF DRIVERS	DRIVE CURRENT (mA)	INPUT VOLTAGE (V)	CURRENT (Amps)	SYSTEM POWER (W)
4	1	1480mA	120	2.84	342
			277	1.23	
			347	0.98	
			480	0.71	

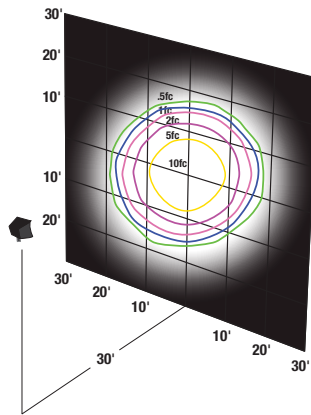
**LUMINAIRE AMBIENT TEMPERATURE FACTOR (LATF)**

AMBIENT TEMPERATURE	LUMEN MULTIPLIER	
0°C	32°F	1.03
10°C	50°F	1.02
20°C	68°F	1.01
25°C	77°F	1.00
30°C	86°F	0.99
40°C	104°F	0.99

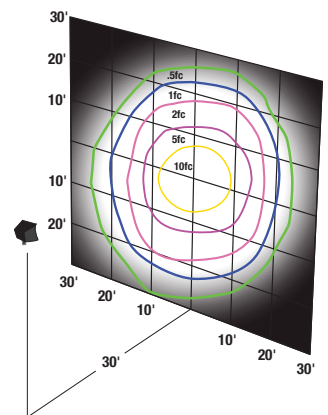
Use these factors to determine relative lumen output for average ambient temperatures from 0-40°C (32-104°F).



LFX-4L-345-5K7-N-UNV-X (Narrow)



LFX-4L-345-5K7-M-UNV-X (Medium)



LFX-4L-345-5K7-W-UNV-X (Wide)

