



QTE LED Floodlight



Catalog Number
Notes
Type

Hit the Tab key or mouse over the page to see all interactive elements.

Introduction

QTE LED is a family of cost effective, energy efficient floodlights. These are the ideal replacements for up to 500W Quartz Halogen floodlights, and deliver energy savings of up to 85% with over 10 years of service life. QTE LED floodlights are great for illuminating yards, driveways, buildings, billboards and signage, and for general flood lighting.

Ordering Information

EXAMPLE: QTE LED P2 40K 120 THK DDB

QTE LED			120		
Series	Performance Package	Color Temperature	Voltage	Mounting	Finish <i>(required)</i>
QTE LED	P1 2,500 lumens ¹ P2 4,000 lumens P3 6,750 lumens	40K 4000K * 50K 5000K	120 120 Volts	THK Knuckle YK Yoke mount ²	DDB Dark bronze WH White

*Nominal correlated color temperature per ANSI C78-377-2015

NOTES

- QTE LED P1 version, can be used for submission to Title 24 applications.
- Yoke mount is not available with P1 performance package.

FEATURES & SPECIFICATIONS

INTENDED USE

QTE LED is suitable for replacing up to 500W Quartz Halogen. It is ideal for landscape, signage, and general purpose lighting in commercial and residential applications.

CONSTRUCTION

Die-cast aluminum housing has integral heat sink fins to optimize thermal management. Rated for -40°C to 40°C ambient temperature. Tempered glass lens is fully gasketed.

Available with knuckle and yoke mount.

FINISH

Durable powder coat finish for protection from corrosion and weathering. Available in dark bronze or white.

ELECTRICAL

Chip-on-board (COB) LEDs are directly coupled to the housing to maximize heat dissipation and lifespan (L70 / 50,000 hrs). 6 kV surge protection.

INSTALLATION

Mounts easily to junction box or under building cave. Suitable for ground mount applications.

LISTINGS

UL Certified to US and Canadian safety standards. Wet location listed.

DesignLights Consortium® (DLC) qualified product. Not all versions of this product may be DLC qualified. Please check the DLC Qualified Products List at www.designlights.org/QPL to confirm which versions are qualified. Can be used to comply with California Title 24 Part 6 High Efficacy LED light Source Requirements.

WARRANTY

5-year limited warranty. Complete warranty terms located at: www.acuitybrands.com/CustomerResources/Terms_and_conditions.aspx.

Note: Actual performance may differ as a result of end-user environment and application. All values are design or typical values, measured under laboratory conditions at 25 °C. Specifications subject to change without notice.



COMMERCIAL OUTDOOR

One Lithonia Way • Conyers, Georgia 30012 • Phone: 800-705-SERV (7378) • www.lithonia.com

© 2018-2019 Acuity Brands Lighting, Inc. All rights reserved

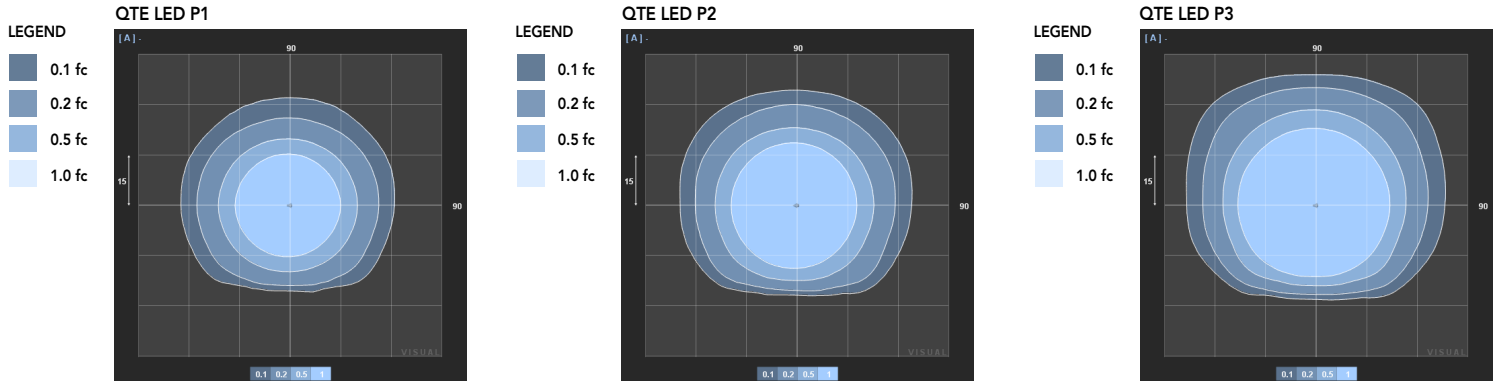
QTE LED
Rev. 09/26/19
Page 1 of 2

Performance Data

	Lumen Output	Input Power	Efficacy (Lumens per Watt)
QTE LED P1	2,500	24W	104
QTE LED P2	4,000	40W	100
QTE LED P3	6,750	66W	102

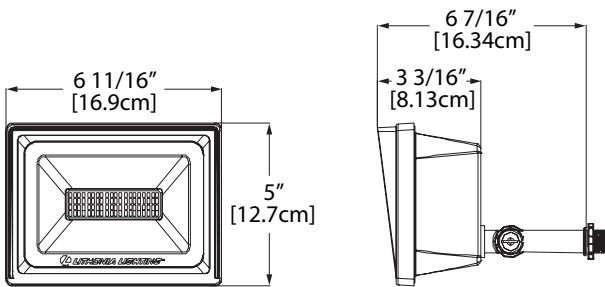
Photometric Diagrams

Full photometric data report available within 2 weeks from request. Contact [Acuity Tech Support](#).

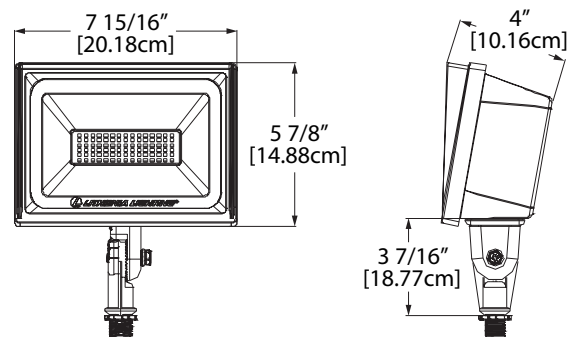


Dimensions

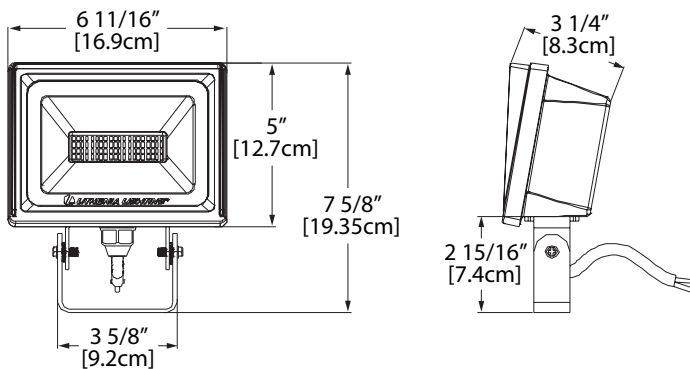
QTE P1-P2 knuckle



QTE P3 knuckle



QTE P1-P2 yoke



QTE P3 yoke

