

Maestro C•L Fan/Light Control

Quiet fan-speed control with dimmer for dimmable CFL and LED bulbs

Features

- Tap on to preset light level/fan speed; tap off
- Tap twice for full on
- Touch rocker to adjust light level/fan speed
- Four fan speeds plus off
- Indicator lights display light level and fan speed
- Single-pole only
- No canopy module required
- Requires separate wires for fan and light
- No neutral wire required
- UL Listed to control:
 - Dimmable Compact Fluorescent Lamps (CFLs) with integrated ballast
 - Dimmable LED with integrated driver
 - Halogen
 - Incandescent
- Low-end adjustment to accommodate a wide range of bulbs.
- FASS - Front Accessible Service Switch for fixture bulb replacement
- Prevents tripping of AFCI breakers
- 100% factory tested
- Fault Detection/Indication
 - Light pull chain off detection
 - Lamp failure detection
 - Short circuit detection/protection

Product Specific Features

- Capable of controlling up to 75 W dimmable CFL/LED or 250 W Incandescent/Halogen lighting loads.
- Capable of controlling up to 1.5 A paddle-type ceiling fan loads.

Model Number¹

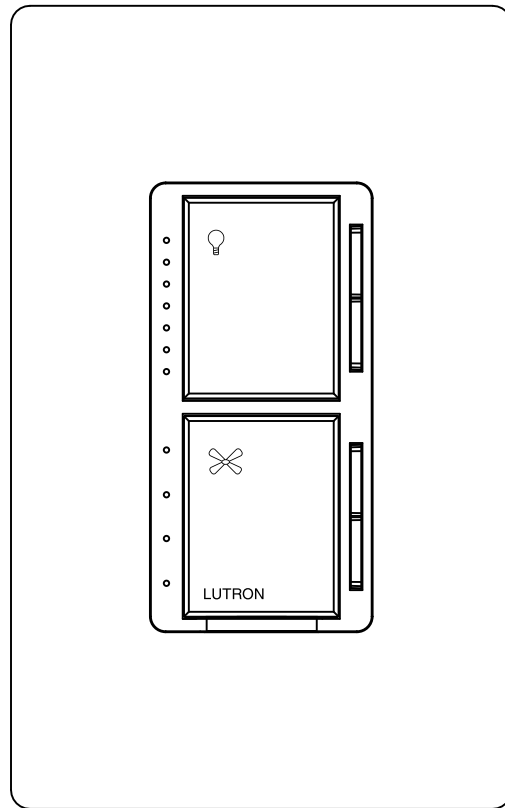
MACL-LFQ-XX	Single-pole
MACL-LFQH-XX²	Single-pole
MACL-LFQH-XX-C³	Single-pole

Notes:

¹ XX in the model number represents color/finish code; see section "Colors and Finishes" above.

² For clamshell packaging, add an "H" after "Q".

³ Clamshell packaged product for Canada.



Wallplate sold separately

Colors and Finishes

Gloss Finishes

WH	White	IV	Ivory
AL	Almond	LA	Light Almond
GR	Gray	BR	Brown
BL	Black		

Satin Colors

HT	Hot	MR	Merlot
PL	Plum	TQ	Turquoise
TP	Taupe	ES	Eggshell
BI	Biscuit	SW	Snow
PD	Palladium	MN	Midnight
TC	Terracotta	SI	Sienna
GB	Green Briar	BG	Bluestone
MS	Mocha Stone	GS	Goldstone
DS	Desert Stone	ST	Stone
LS	Limestone		

Job Name:	Model Numbers:
Job Number:	

Specifications

Regulatory Approvals

- UL Listed to U.S. and Canadian safety requirements
 - UL 1472/CSA C22.2 184.1 (dimmer)
 - UL 1917 (fan)
 - NOM
- Meets requirements of NEMA SSL7-2015

Power and Ratings

- 120 V~ 60 Hz
- 1.5 A fan rating - single fan only
- 75 W dimmable CFL/LED or 250 W Incandescent/Halogen light rating

Environment

- For indoor use only
- Operating temperatures 32 °F (0 °C) to 104 °F (40 °C)
- 0% to 95% relative humidity, non-condensing

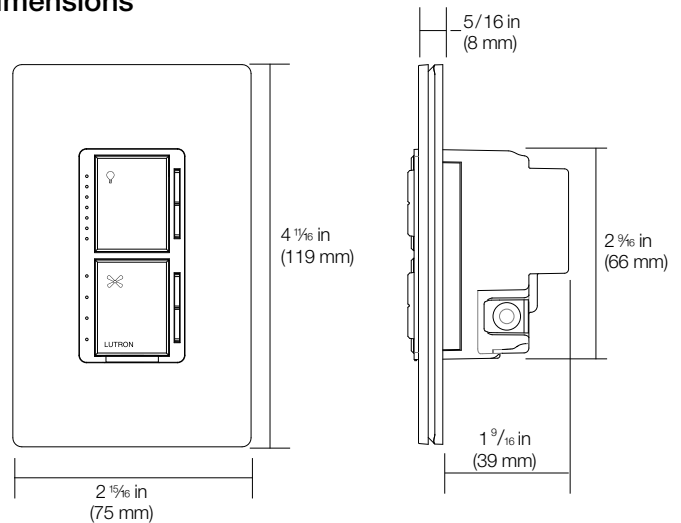
Performance

- Power-failure memory
- Electrostatic discharge tested
- Precise color matching
- Mechanical air-gap switch to disconnect load power
- Dual power supply for light pull chain off detection

Application Requirements

- **When using CFLs or LEDs, only bulbs marked or rated as Dimmable can be used.**
- For a complete list of approved DIMMABLE CFLs and LEDs please visit www.lutron.com/dimcflled
- Requires separate wires for fan and light.
- Not for use with DC motor fans or fans with remote controls.
- Not for use with bathroom or kitchen exhaust-type fans.

Dimensions



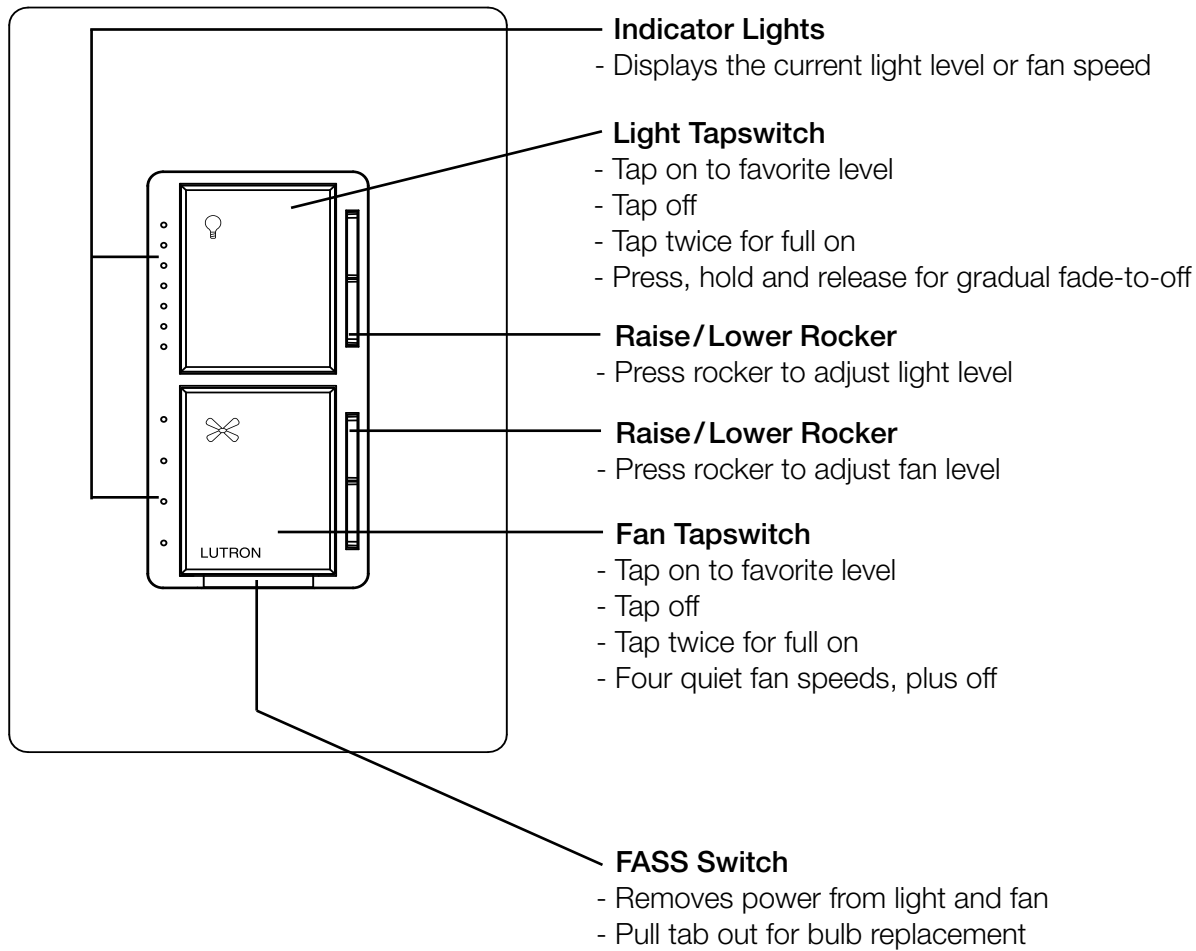
Note: Requires a U.S. wallbox 2 1/2 in (64 mm) deep minimum.

Warranty

- 1 Year Limited Warranty
For additional Warranty information, please visit www.lutron.com/TechnicalDocumentLibrary/369-119_Wallbox_Warranty.pdf

Job Name:	Model Numbers:
Job Number:	

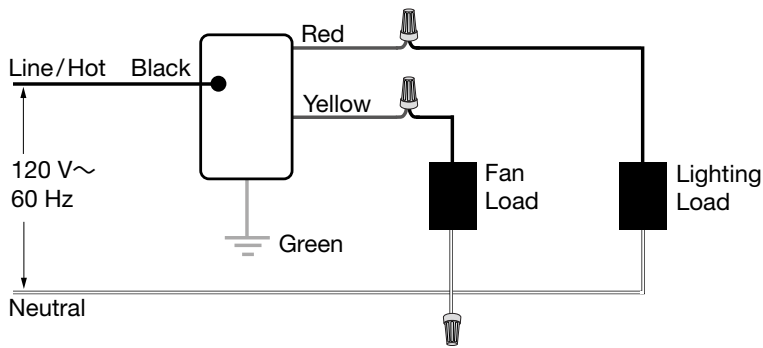
Operation



Job Name:	Model Numbers:
Job Number:	

Wiring Diagrams

Single-Pole Wiring



Lutron, Lutron, Maestro, C•L, and Satin Colors are trademarks of Lutron Electronics Co., Inc., registered in the U.S. and other countries. FASS is a trademark of Lutron Electronics Co., Inc.

LUTRON SPECIFICATION SUBMITTAL

Page

Job Name:	Model Numbers:
Job Number:	