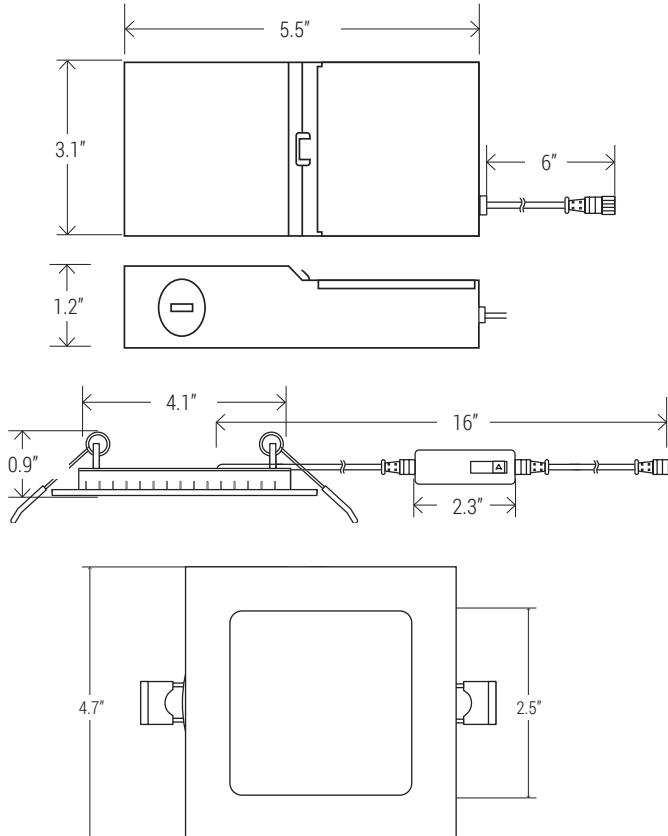


EASY 5 COLORS
SEleCCTor
2700K • 3000K • 3500K • 4000K • 5000K



NOMINAL LUMENS	DELIERED LUMENS	WATTAGE
850	940	12W

Based on 4000K, 90+ CRI. Actual wattage may vary +/- 5%

INSTALLATION

Cut hole in ceiling. Insert luminaire into opening by squeezing spring clips on both sides of luminaire. The width in ceiling needed for the driver to fit is 3".

You **MUST** seal all gaps between the ceiling and fixture with weatherproof silicone sealant. This deters moisture and water from damaging fixtures and other mechanical ceiling elements.

FEATURES

4" square slim multi-CCT LED luminaire engineered for new construction, remodel, or retrofit to accommodate insulated or dropped ceilings. Easily access field-adjustable 5-Color SeleCCTor switch by lowering the luminaire from the opening. Remote driver allows easy installation and maintenance. Small aperture and shallow depth are ideal for unlimited applications.

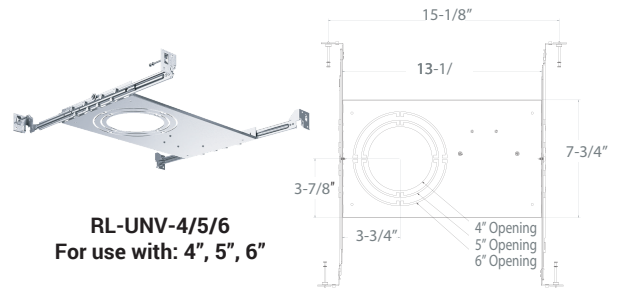
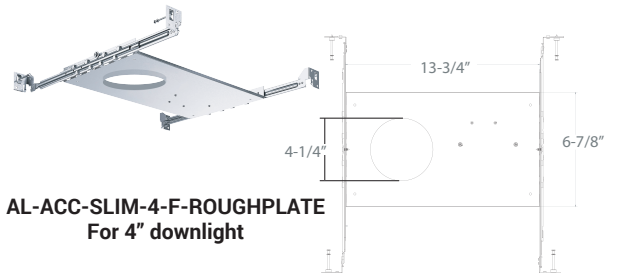
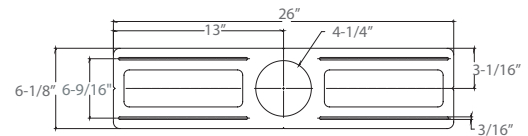
LUMENS	700, 850
CCT	850L (27K/30K/35K/40K/50K)
CRI	90+
COLOR QUALITY	3-Step MacAdam Ellipse
CONSTRUCTION	Aluminum die-cast body and trim
TRIM OPTION	Square Flat Lens
TRIM COLORS	WH (White)
DIMMING	DIMTR (Triac), DIM10 (0-10V)
EMERGENCY	16W high voltage inverter (remote)
LIFETIME	L70 at 50,000 Hours
PHOTOMETRIC TESTS	In Accordance with IES LM79-08, LM80 and TM-30, TM-21

- IC-rated and Air-Tight ready and may be in direct contact with insulation.
- Can be installed in shallow plenum spaces.
- May be installed in drywall or suspended ceilings.
- Flicker-free 120V forward-phase Triac dimming down to 5%.

SLIM TRIM

ACCESSORIES

RL-ACC-SLIM-1-10F
 10-ft long extension

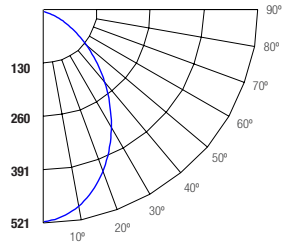
RL-ACC-SLIM-1-20F
 20-ft long extension

RL-UNV-4/5/6
 For use with: 4", 5", 6"

AL-ACC-SLIM-4-F-ROUGHPLATE
 For 4" downlight

RL-ACC-SLIM-4-ROUGHPLATE
 Rough-in plate for use with 4" downlights

RL-ACC-SLIM-1-10F
EXAMPLE:
RL476-850L-DIMTR-120-27K/30K/35K/40K/50K-90-WH

TYPE	LUMEN	CCT	CRI	FINISH
RL476	<input type="checkbox"/> 700L-DIMTR-120	<input type="checkbox"/> 27K/30K/35K/40K/50K	<input type="checkbox"/> 90+	<input type="checkbox"/> WH-White
	<input type="checkbox"/> 700L-DIM10-120-347			<input type="checkbox"/> RL476-RT-DBZ Dark Bronze
	<input type="checkbox"/> 850L-DIMTR-120			<input type="checkbox"/> RL476-RT-BK Black
	<input type="checkbox"/> 850L-DIM10-120-347			

OPTIONS

- RL-ACC-SLIM-1-10F - 10ft Long Extension
- RL-ACC-SLIM-1-20F - 20ft Long Extension
- RL-UNV-4/5/6 - Universal Mounting Plate for 4", 5" and 6"
- RL-ACC-SLIM-4-ROUGHPLATE - 4" Mounting Plate
- AL-ACC-SLIM-4-F-ROUGHPLATE - 4" Flanged Roughplate

RL476-850L-DIMTR-120-27K-30K-35K-40K-50K-90-WH
TEST NO.: ELB091819133
INPUT WATTS: 11.654
LUMENS: 940
CRI: 90
EFFICACY: 81
CCT: 4000K
SPACING CRITERIA: 1.16
Candle Power Distribution (Candelas)

Zonal Lumens Summary

Zone	Lumens	%Lamp	%Fixt
0-20	182.13	19.40	19.40
0-30	367.50	39.10	39.10
0-40	563.20	59.90	59.90
0-60	854.46	90.90	90.90
0-80	938.73	99.90	99.90
0-90	939.08	99.90	99.90

Luminance (Average candela/M²)

Angle in Degrees	Average		
	0°	45°	90°
45	93498	95952	105837
55	66286	69210	80131
65	36926	40522	52761
75	397	3703	18714
85	118	118	79

Lumens Per Zone

Zone	Lumens
0-10	48.65
10-20	133.49
20-30	185.37
30-40	195.70
40-50	169.75
50-60	121.51
60-70	66.21
70-80	18.05
80-90	0.35

Candela Tabulation

θ	0
0	519.46
5	509.49
15	460.50
25	381.69
35	287.25
45	193.14
55	111.07
65	45.59
75	0.30
85	0.03
90	0.04

Coefficients of Utilization - Zonal Cavity Method

Effective Floor Cavity Reflectance 0.20

Cone of Light			
2	130	3.4	3.4
4	32.5	6.9	6.9
6	14.4	10.3	10.3
8	8.12	13.8	13.8
10	5.19	17.2	17.2
12	3.61	20.7	20.6

RC	80%				70%				50%				30%				10%				0%	
	70%	50%	30%	10%	70%	50%	30%	10%	50%	30%	10%	50%	30%	10%	50%	30%	10%	50%	30%	10%	0%	
0	119	119	119	119	116	116	116	116	111	111	111	106	106	106	102	102	102	100	100	100	100	
1	111	107	104	101	109	105	102	99	101	99	96	97	95	93	94	92	91	89	89	89	89	
2	103	96	91	86	100	94	89	85	91	87	83	88	84	81	85	82	79	77	77	77	77	
3	95	86	79	74	93	85	78	73	82	77	72	79	75	71	77	73	70	68	68	68	68	
4	88	78	70	64	86	77	70	64	74	68	63	72	67	62	70	65	62	60	60	60	60	
5	82	71	63	57	80	69	62	57	67	61	56	66	60	55	64	59	55	53	53	53	53	
6	76	64	56	51	74	63	56	50	62	55	50	60	54	50	59	53	49	47	47	47	47	
7	71	59	51	46	69	58	51	45	57	50	45	55	49	45	54	49	44	43	43	43	43	
8	66	54	46	41	65	54	46	41	52	46	41	51	45	41	50	44	40	39	39	39	39	
9	62	50	43	38	61	50	42	37	48	42	37	47	41	37	46	41	37	35	35	35	35	
10	59	47	39	34	58	46	39	34	45	39	34	44	38	34	43	38	34	32	32	32	32	

RC - Ceiling Cavity Reflectance

RW - Wall Reflectance