



**INTERACTIVE MENU**

- Ordering Guide
- Photometric Data
- Dimensional Data

**EXTERNAL LINKS**

- NX Distributed Intelligence™ Brochure
- SpectraSync™ Brochure

**PROJECT INFORMATION**

Project Name \_\_\_\_\_

Type \_\_\_\_\_

Catalog No. \_\_\_\_\_

Date \_\_\_\_\_

**COMPATIBLE WITH:**



**FEATURES**

- Uninterrupted ribbon of light; row mounting optional
- Long life 60,000 hour LEDs at L80 for reduced maintenance
- Superior color consistency within a 3-step MacAdam ellipse and greater than 80 CRI
- Available in 2', 4' or 8' lengths
- Optional integral emergency battery pack
- Three lens options as well as less lens (NL)
- Modular replaceable LED boards and driver accessible for future maintenance or upgrades
- Surface mount, wall mount or suspended
- DLC® (DesignLights Consortium) Qualified, with some Premium Qualified configurations - see [www.designlights.org](http://www.designlights.org)
- Optional SpectraSync™ offers three modes of tunable white solutions and integrates seamlessly into a variety of control systems
- NX Distributed Intelligence™ provides options for standalone and networked integrated sensor with wired or wireless connectivity for NX system deployments
- Five year warranty



**MULTIPURPOSE LINEAR**

**CONSTRUCTION**

Housing, wireway, and ends are formed from code-gauge steel. Housing components act as heat sink for LED heat dissipation. Knockouts are provided for electrical access and mounting. Available with or without frosted acrylic lens.

**FINISH**

White painted parts are treated with a five-stage phosphate bonding process and finished with high reflectance baked enamel.

**ELECTRICAL**

Long-life LEDs are rated for 60,000 hours at L80 lumen maintenance.

**CERTIFICATION**

All luminaires are built to UL 1598 and 2108 standards, and bear appropriate CSA c/US labels. Damp location labeling is standard. Emergency equipped fixtures labeled UL924. Adheres to LM79, LM80, and TM21 industry standards.

**WARRANTY**

Five year warranty (Terms and Conditions apply).

## ORDERING INFORMATION

EXAMPLE MPS4-40ML-CW-EDU

YOUR ORDER **MPS** - - -

MPS		SIZE		CRI		COLOR TEMPERATURE		LUMEN OUTPUT		LENS	
MODEL											
MPS MultiPurpose Linear		2 2'		Blank 80		30 3000K		XW 4' (2700, 8' (5400)		C Curve, Frosted Acrylic	
		4 4'		9 90 <sup>10</sup>		35 3500K		XWHE 4' (2500, 8' (5000)		F Flat, Frosted Acrylic	
		8 8'				40 4000K		VW 2' (1700), 4' (3400), 8' (6900)		NL Less Lens	
						50 5000K		VWHE 4' (3300), 8' (6600)		CP Curve, Frosted Polycarbonate	
						2750T 2700K-5000K SpectraSync™ Tunable White		MW 2' (2300), 4' (3800), 8' (7700)			
						2765T 2700K-6500K SpectraSync™ Tunable White		MWHE 2' (2100), 4' (3700), 8' (7400)			
								LW 2' (2500), 4' (4200), 8' (8400)			
								LWHE 2' (2600), 4' (4100), 8' (8200)			
								ML 2' (3600), 4' (4800), 8' (9500)			
								MLHE 4' (4700), 8' (9400)			
								HL 2' (3800), 4' (6000), 8' (12,000)			
								HLHE 4' (5700), 8' (11,500)			
								VL 4' (7100), 8' (14,200)			
								XL 4' (8400), 8' (17,000)			

DISTRIBUTION <sup>7</sup>		DRIVER		VOLTAGE		OPTIONS		CONTROL OPTIONS <sup>9</sup>	
N	Narrow Distribution <sup>1</sup>	E	Fixed Output	U	120V-277V	ELL14	Emergency Battery Pack, 10W <sup>3,4,5,8</sup>	NXS	NX, PIR Occupancy Sensor, Dimming Daylight Harvesting
W	Wide Distribution	ED	0-10V Dimming	347	347V (E,ED,ED1 only)	GLR	Fast Blow Fuse	NXSW	NX Wireless, PIR Occupancy Sensor, Dimming Daylight Harvesting
		ED1	0-10V 1% Dimming			GTD	Generator Transfer Device	NXWE	NX Wireless Enabled
		EDD	Dim-to-Dark			MPSCE	Injection Molded ABS Material Curve Endcap <sup>6</sup>	NXE	NX Enabled, Dual SmartPorts
		ESD	Step Dimming			MPSFE	Injection Molded ABS Material Flat Endcap <sup>6</sup>	NXES	NX Enabled, PIR Occupancy Sensor, Dimming Daylight Harvesting
		LUTH	Hi-lume 1% EcoSystem LED driver with Soft-on, Fade-to-Black dimming technology <sup>2</sup>			MB	Matte Black	ODPG	Occupancy and Daylight Sensors w/Grouping, Philips SNS200
		LUTS	5-Series EcoSystem LED driver <sup>2</sup>			ZT	ZET Metallic Silver		

### ACCESSORIES (ORDER SEPARATELY)

- S18 18" Stem, Canopy
- SS18 18" Swivel Stem—45° Swivel
- CM24SCF3-KIT 24" Adjustable Cable Mounting Kit, 3 wire feed
- CM48SCF3-KIT 48" Adjustable Cable Mounting Kit, 3 wire feed
- CSHC Chain Hanger Assembly
- MPSZT Zip Tee Hanger - 1 1/2" Spacer on T-Bar Ceiling
- MPSSTH Slide Tong Hanger
- MPSCRK-C Continuous Row Kit, Curve
- MPSCRK-F Continuous Row Kit, Flat
- MPSWG2 2' Wire Guard
- MPSWG4 4' Wire Guard, 2 Required for 8' Fixture
- MPSCE Injection Molded ABS Material Curve Endcap<sup>6</sup>
- MPSFE Injection Molded ABS Material Flat Endcap<sup>6</sup>

<sup>1</sup>Only available in curve lens.  
<sup>2</sup>Not available in VL, XL, HE packages.  
<sup>3</sup>Delivered Emergency Lumens = ELL14 = 1210 lms.  
<sup>4</sup>Not available in 2 ft size.  
<sup>5</sup>Not available with thru wire on XL.  
<sup>6</sup>Available in white only, standard metal end caps can be painted MB or ZT.  
<sup>7</sup>Applicable to lens only.  
<sup>8</sup>Emergency battery pack max ambient temperature: -25°C.  
<sup>9</sup>Control Options include Injection Molded ABS End Cap.  
<sup>10</sup>Not available with HE lumen packages.

### DRIVER AVAILABILITY TABLE

2'

	VW	MW	MWHE	LW	LWHE	ML	HL
E	X	X	X	X	X	X	X
ED	X	X	X	X	X	X	X
ED1	X	X	X	X	X	X	X
EDD	X	X		X		X	X
ESD	X	X		X		X	X
LUTS	X	X		X		X	X
LUTH	X	X		X		X	X
347	X	X		X		X	X

2ft with ODP/ODPG not available for VW,MW,LW

### DRIVER AVAILABILITY TABLE

4/8'

	XW	XWHE	VW	VWHE	MW	MWHE	LW	LWHE	ML	MLHE	HL	HLHE	VL	XL
E	X	X	X	X	X	X	X	X	X	X	X	X	X	X
ED	X	X	X	X	X	X	X	X	X	X	X	X	X	X
ED1	X	X	X	X	X	X	X	X	X	X	X	X	X	X
EDD	X		X		X		X		X		X		X	X
ESD	X		X		X		X		X		X		X	X
347	X		X		X		X		X		X		X	X
LUTS	X		X		X		X		X		X			
LUTH	X		X		X		X		X		X			

XL not available with thru wire

STANDARD EFFICACY PERFORMANCE TABLE						
FIXTURE	COLOR	LENS	DISTRIBUTION	LUMENS	WATTS	LPW
MPS2-VW	3500K	CURVE	WIDE	1659	13.8	120
			NARROW	1597	13.5	118
		FLAT	WIDE	1584	13.5	117
	4000K	CURVE	WIDE	1724	13.8	125
			NARROW	1681	13.8	122
		FLAT	WIDE	1618	13.5	120
MPS2-MW	3500K	CURVE	WIDE	1604	13.5	119
			NARROW	1746	13.8	127
		FLAT	WIDE	2201	18.2	121
	4000K	CURVE	WIDE	2092	17.8	118
			NARROW	2076	17.8	117
		FLAT	WIDE	2287	18.2	126
MPS2-LW	3500K	CURVE	WIDE	2229	18.2	122
			NARROW	2119	17.8	119
		FLAT	WIDE	2102	17.8	118
	4000K	CURVE	WIDE	2316	18.2	127
			NARROW	2444	20.4	120
		FLAT	WIDE	2328	19.9	117
MPS2-ML	3500K	CURVE	WIDE	2309	19.9	116
			NARROW	2540	20.4	124
		FLAT	WIDE	2475	20.4	121
	4000K	CURVE	WIDE	2358	19.9	118
			NARROW	2338	19.9	118
		FLAT	WIDE	2572	20.4	126
MPS2-HL	3500K	CURVE	WIDE	3452	29.0	119
			NARROW	3447	28.8	120
		FLAT	WIDE	3414	28.8	119
	4000K	CURVE	WIDE	3587	29.0	124
			NARROW	3496	29.0	121
		FLAT	WIDE	3491	28.8	121
MPS4-XW	3500K	CURVE	WIDE	3458	28.8	120
			NARROW	3632	29.0	125
		FLAT	WIDE	3632	29.0	125
	4000K	CURVE	WIDE	3797	31.7	120
			NARROW	3707	31.5	118
		FLAT	WIDE	3701	31.7	117
MPS4-VW	3500K	CURVE	WIDE	3754	31.5	119
			NARROW	3725	31.5	118
		FLAT	WIDE	3846	31.7	121
	4000K	CURVE	WIDE	2574	20.0	129
			NARROW	2574	20.0	129
		FLAT	WIDE	2463	20.0	123
MPS4-MW	3500K	CURVE	WIDE	2674	20.0	134
			NARROW	2606	20.0	130
		FLAT	WIDE	2574	20.0	129
	4000K	CURVE	WIDE	2494	20.0	125
			NARROW	2708	20.0	135
		FLAT	WIDE	3279	26.7	123
MPS4-WW	3500K	CURVE	WIDE	3152	26.5	119
			NARROW	3134	26.5	118
		FLAT	WIDE	3450	26.7	129
	4000K	CURVE	WIDE	3321	26.7	124
			NARROW	3192	26.5	120
		FLAT	WIDE	3174	26.5	120
MPS4-LW	3500K	CURVE	WIDE	3564	26.7	133
			NARROW	3656	30.4	120
		FLAT	WIDE	3511	30.1	117
	4000K	CURVE	WIDE	3491	30.1	116
			NARROW	3847	30.4	127
		FLAT	WIDE	3702	30.4	122
MPS4-HL	3500K	CURVE	WIDE	3556	30.1	118
			NARROW	3535	30.1	117
		FLAT	WIDE	3974	30.4	131
	4000K	CURVE	WIDE	3974	30.4	131
			NARROW			
		FLAT	WIDE			

STANDARD EFFICACY PERFORMANCE TABLE							
FIXTURE	COLOR	LENS	DISTRIBUTION	LUMENS	WATTS	LPW	
MPS4-LW	3500K	CURVE	WIDE	4043	34.4	118	
			NARROW	4094	32.5	126	
		FLAT	WIDE	4072	32.5	125	
	4000K	NO LENS			4255	34.4	124
			CURVE	WIDE	4095	34.4	119
				NARROW	4147	32.5	128
FLAT		WIDE	4124	32.5	127		
		NO LENS			4395	34.4	128
						4556	40.1
MPS4-ML	3500K	CURVE	WIDE	4556	40.1	114	
			NARROW	4649	37.7	123	
		FLAT	WIDE	4625	37.8	122	
	4000K	NO LENS			4794	40.1	120
			CURVE	WIDE	4614	40.1	115
				NARROW	4709	37.7	125
FLAT		WIDE	4684	37.8	124		
		NO LENS			4952	40.1	123
						5760	49.5
MPS4-HL	3500K	CURVE	WIDE	5760	49.5	116	
			NARROW	5781	49.4	117	
		FLAT	WIDE	5741	49.4	116	
	4000K	NO LENS			6061	49.5	122
			CURVE	WIDE	5833	49.5	118
				NARROW	5855	49.4	119
FLAT		WIDE	5814	49.4	118		
		NO LENS			6261	49.5	126
						6769	54.1
MPS4-VL	3500K	CURVE	WIDE	6769	54.1	125	
			NARROW	6675	54.1	123	
		FLAT	WIDE	6637	54.1	123	
	4000K	NO LENS			7122	54.1	132
			CURVE	WIDE	6855	54.1	127
				NARROW	6760	54.1	125
FLAT		WIDE	6722	54.1	124		
		NO LENS			7357	54.1	136
						8045	66.5
MPS4-XL	3500K	CURVE	WIDE	8045	66.5	121	
			NARROW	7878	66.8	118	
		FLAT	WIDE	7813	66.9	117	
	4000K	NO LENS			8466	66.5	127
			CURVE	WIDE	8148	66.5	123
				NARROW	7979	66.8	119
FLAT		WIDE	7913	66.9	118		
		NO LENS			8745	66.5	132
MPS8-XW	3500K	CURVE	WIDE	5147	40.0	129	
			NARROW	4939	39.8	124	
		FLAT	WIDE	4925	40.0	123	
	4000K	NO LENS			5348	40.0	134
			CURVE	WIDE	5213	40.0	130
				NARROW	5002	39.8	126
FLAT		WIDE	4988	40.0	125		
		NO LENS			5416	40.0	135
						6558	53.4
MPS8-VW	3500K	CURVE	WIDE	6558	53.4	123	
			NARROW	6303	53.0	119	
		FLAT	WIDE	6269	53.0	118	
	4000K	NO LENS			6814	53.4	128
			CURVE	WIDE	6642	53.4	124
				NARROW	6384	53.0	120
FLAT		WIDE	6349	53.0	120		
		NO LENS			6901	53.4	129
						7311	60.8
MPS8-MW	3500K	CURVE	WIDE	7311	60.8	120	
			NARROW	7022	60.2	117	
		FLAT	WIDE	6981	60.2	116	
	4000K	NO LENS			7596	60.8	125
			CURVE	WIDE	7405	60.8	122
				NARROW	7112	60.2	118
FLAT		WIDE	7071	60.2	117		
		NO LENS			7693	60.8	127

STANDARD EFFICACY PERFORMANCE TABLE						
FIXTURE	COLOR	LENS	DISTRIBUTION	LUMENS	WATTS	LPW
MPS8-LW	3500K	CURVE	WIDE	8087	68.8	118
			NARROW	8189	65.0	126
		FLAT	WIDE	8144	65.0	125
	4000K	CURVE	WIDE	8402	68.8	122
			NARROW	8190	68.8	119
			FLAT	WIDE	8293	65.0
NO LENS		WIDE	8248	65.0	127	
		NARROW	8510	68.8	124	
		FLAT	WIDE	8510	68.8	124
MPS8-ML	3500K	CURVE	WIDE	9111	80.2	114
			NARROW	9298	75.4	123
		FLAT	WIDE	9250	75.6	122
	4000K	CURVE	WIDE	9466	80.2	118
			NARROW	9227	80.2	115
			FLAT	WIDE	9417	75.4
NO LENS		WIDE	9368	75.6	124	
		NARROW	9587	80.2	120	
		FLAT	WIDE	9587	80.2	120
MPS8-HL	3500K	CURVE	WIDE	11520	99.0	116
			NARROW	11562	98.8	117
		FLAT	WIDE	11481	98.8	116
	4000K	CURVE	WIDE	11969	99.0	121
			NARROW	11667	99.0	118
			FLAT	WIDE	11710	98.8
NO LENS		WIDE	11628	98.8	118	
		NARROW	12122	99.0	122	
		FLAT	WIDE	12122	99.0	122
MPS8-VL	3500K	CURVE	WIDE	13537	108.2	125
			NARROW	13350	108.2	123
		FLAT	WIDE	13275	108.2	123
	4000K	CURVE	WIDE	14065	108.2	130
			NARROW	13710	108.2	127
			FLAT	WIDE	13521	108.2
NO LENS		WIDE	13444	108.2	124	
		NARROW	14245	108.2	132	
		FLAT	WIDE	14245	108.2	132
MPS8-XL	3500K	CURVE	WIDE	16091	133.0	121
			NARROW	15757	133.6	118
		FLAT	WIDE	15626	133.8	117
	4000K	CURVE	WIDE	16718	133.0	126
			NARROW	16296	133.0	123
			FLAT	WIDE	15958	133.6
NO LENS		WIDE	15826	133.8	118	
		NARROW	16932	133.0	127	
		FLAT	WIDE	16932	133.0	127

SpectraSync and NX Availability Table								
			Only With 80 CRI			Only With 80 CRI		
			No Battery Pack			With Battery Pack		
PRODUCT	SIZE	LUMEN PACKAGE	CTC	NX	CTC+NX	CTC	NX	CTC+NX
MPS	2ft	VW	Y	Y	N	—	—	—
		MW	Y	Y	N	—	—	—
		LW	Y	Y	N	—	—	—
		ML	N	Y	N	—	—	—
		HL	N	Y	N	—	—	—
	4ft	XW	Y	Y	Y	Y	Y	Y
		VW	Y	Y	Y	Y	Y	Y
		MW	Y	Y	Y	Y	Y	Y
		LW	Y	Y	Y	Y	Y	Y
		ML	Y	Y	Y	Y	Y	Y
		HL	Y	Y	Y	Y	Y	Y
		VL	N	Y	N	N	Y	N
	XL	N	Y	N	N	Y	N	
	8ft	XW	Y	Y	Y	Y	Y	Y
		VW	Y	Y	Y	Y	Y	Y
		MW	N	Y	N	N	Y	N
		LW	N	Y	N	N	Y	N
		ML	N	Y	N	N	Y	N
		HL	N	Y	N	N	Y	N
		VL	N	Y	N	N	Y	N
	XL	N	Y	N	N	Y	N	

MAX AMBIENT BY DRIVER (MIN. -25°C)											
		80 CRI									
		E/ED/ED1		ESDU		ED347		EDD		LUT	
SIZE	LUMEN PACKAGE	CEILING/SURFACE MOUNT	PENDANT/TH MOUNT	Ceiling/Surface Mount	Pendant/TH Mount	Ceiling/Surface Mount	Pendant/TH Mount	Ceiling/Surface Mount	Pendant/TH Mount	Ceiling/Surface Mount	Pendant/TH Mount
2'	VW	35	40	35	40	35	40	35	40	35	40
	MW	35	40	35	40	35	40	35	40	35	40
	LW	35	40	35	40	35	40	35	40	35	40
	ML	35	40	35	40	35	40	35	40	35	40
	HL	30	35	30	35	30	35	30	35	30	35
4'	XW	35	45	35	45	35	45	30	35	30	35
	VW	35	45	35	45	35	45	30	35	30	35
	MW	35	45	35	45	35	45	30	35	30	35
	LW	35	45	35	45	35	45	30	35	30	35
	ML	35	45	35	45	35	45	30	35	30	35
	HL	35	40	35	40	35	40	25	30	30	35
	VL	30	30	30	30	30	30	30	30	—	—
XL*	25	25	25	25	25	25	25	25	—	—	
8'	XW	35	45	35	45	35	45	30	35	30	35
	VW	35	45	35	45	35	45	30	35	30	35
	MW	35	45	35	45	35	45	30	35	30	35
	LW	35	45	35	45	35	45	30	35	30	35
	ML	35	45	35	45	35	45	30	35	30	35
	VL	30	30	30	30	30	30	30	30	—	—
XL*	25	25	25	25	25	25	25	25	—	—	

\*No Thru Wire

Note: Standard and HE lumen packages have equal ambient temperatures.

Note: Emergency battery pack max ambient temperature: -25°C.

Test 19735 Test Date 9/25/2017

**LUMINAIRE DATA**

Luminaire	MPS4-40ML-CN-EDU MPS MultiPurpose Linear, Narrow LED 4ft, Frosted Linear Prisms Lens
Ballast	XI040C110V054BST1
Ballast Factor	1.00
Lamp	LED
Fixture Lumens	4742
Watts	37.70
Mounting	Surface
Shielding Angle	0° = 90 90° = 90
Spacing Criterion	0° = 1.18 90° = 1.77
Luminous Opening in Feet	Length: 4.00 Width: 0.25 Height: 0.12

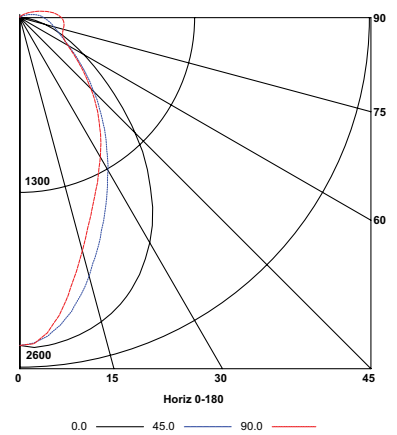
**ZONAL LUMEN SUMMARY**

Zone	Lumens	% Lamp	% Fixt.
0-30	1542	32.5	32.5
0-40	2326	49.1	49.1
0-60	3518	74.2	74.2
0-90	4385	92.5	92.5
0-180	4742	100.0	100.0

**ENERGY DATA**

Total Luminaire Efficiency	100.0%
Total Lumens per Watt	126
IESNA RP-1-2004 Compliance	Non-Compliant
Comparative Yearly Lighting Energy Cost per 1000 Lumens	\$1.92 based on 3000 hrs. and \$0.08 per KWH

**INDOOR CANDELA PLOT**



Test 19600 Test Date 4/19/2017

**LUMINAIRE DATA**

Luminaire	MPS4-40ML-CW-EDU MPS MultiPurpose Linear, Wide LED 4ft, Frosted Linear Prisms Lens
Ballast	XI040C110V054BST1
Ballast Factor	1.00
Lamp	LED
Fixture Lumens	4615
Watts	40.10
Mounting	Surface
Shielding Angle	0° = 90 90° = 90
Spacing Criterion	0° = 1.20 90° = 1.33
Luminous Opening in Feet	Length: 4.00 Width: 0.25 Height: 0.13

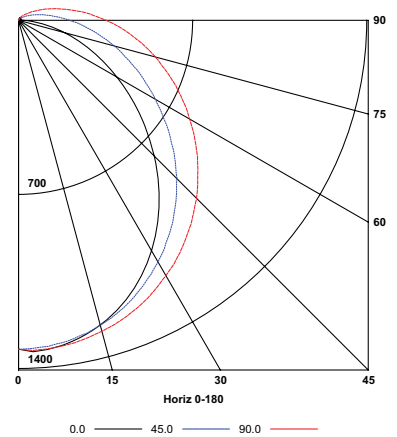
**ZONAL LUMEN SUMMARY**

Zone	Lumens	% Lamp	% Fixt.
0-30	1029	22.3	22.3
0-40	1688	36.6	36.6
0-60	3019	65.4	65.4
0-90	4248	92.0	92.0
0-180	4615	100.0	100.0

**ENERGY DATA**

Total Luminaire Efficiency	100.0%
Total Lumens per Watt	115
IESNA RP-1-2004 Compliance	Non-Compliant
Comparative Yearly Lighting Energy Cost per 1000 Lumens	\$2.09 based on 3000 hrs. and \$0.08 per KWH

**INDOOR CANDELA PLOT**



Test 19652 Test Date 9/25/2017

**LUMINAIRE DATA**

Luminaire	MPS4-40ML-FW-EDU MPS MultiPurpose Linear, Wide LED 4ft, Frosted Linear Prisms Lens
Ballast	XI040C110V054BST1
Ballast Factor	1.00
Lamp	LED
Fixture Lumens	4685
Watts	37.80
Mounting	Surface
Shielding Angle	0° = 90 90° = 90
Spacing Criterion	0° = 1.24 90° = 1.67
Luminous Opening in Feet	Length: 4.00 Width: 0.25 Height: 0.05

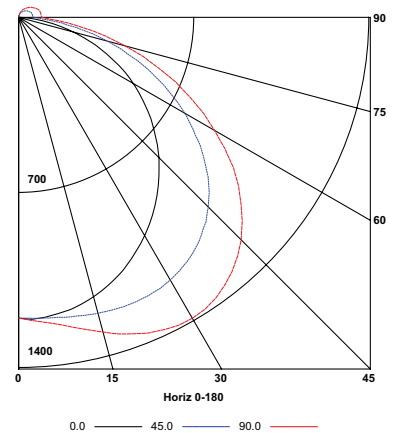
**ZONAL LUMEN SUMMARY**

Zone	Lumens	% Lamp	% Fixt.
0-30	1026	21.9	21.9
0-40	1756	37.5	37.5
0-60	3324	70.9	70.9
0-90	4435	94.7	94.7
0-180	4685	100.0	100.0

**ENERGY DATA**

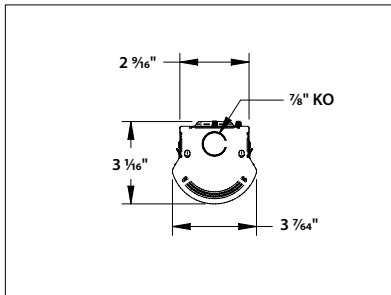
Total Luminaire Efficiency	100.0%
Total Lumens per Watt	124
IESNA RP-1-2004 Compliance	Non-Compliant
Comparative Yearly Lighting Energy Cost per 1000 Lumens	\$1.95 based on 3000 hrs. and \$0.08 per KWH

**INDOOR CANDELA PLOT**

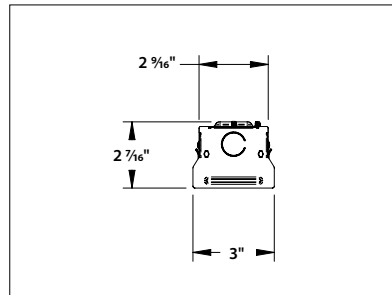


**DIMENSIONAL DATA**

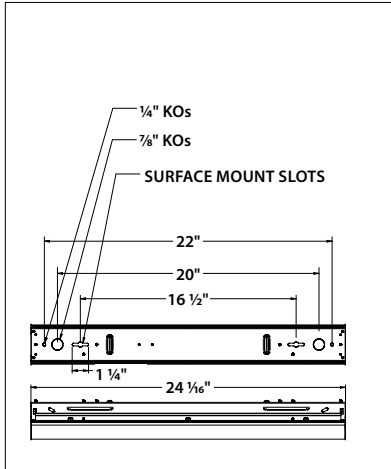
**MPS END VIEW - CURVE LENS**



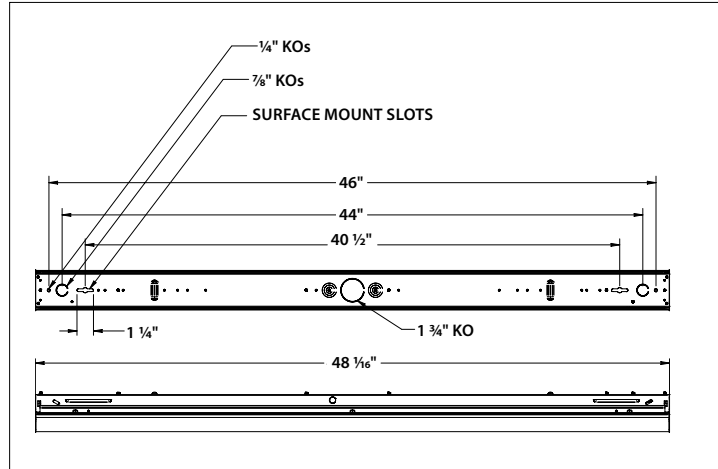
**MPS END VIEW - FLAT LENS**



**MPS 2' DIMENSIONS**



**MPS 4' DIMENSIONS**



**MPS 8' DIMENSIONS**

