

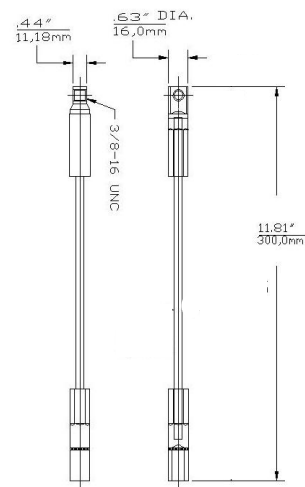
15/25kV	200A Loadbreak RLR Contact	00400XXX
---------	----------------------------	----------



00400XXX bi-metallic connectors consist of a copper tip section and an aluminum crimp barrel. Units are designed for use with 167/168RLR and 273/274RLR replacement elbows on aluminum or copper conductors.

### Ordering Instructions:

XXX Code	Conductor Size AWG or kcmil		Connector only
	Strand./ Compr.	Solid/ Comp.	Bi-Metal
190		#4	00400190
200	#4	#3	00400200
210	#3	#2	00400210
220	#2	#1	00400220
230	#1	1/0	00400230
240	1/0	2/0	00400240
250	2/0	3/0	00400250
260	3/0	4/0	00400260
270	4/0	250	00400270



**Each kit contains the following:**

- |   |             |          |
|---|-------------|----------|
| 1 | Connector   | 00400XXX |
| 1 | Crimp Chart | CC-0060  |