

**INSTRUCTION MANUAL FOR
MULTIPURPOSE LINEAR: 2', 4', 8'**

Components shown in images are representative only and may vary based on the configuration ordered.

Refer to the following sections for instructions on the desired mounting condition:

- A. Surface Mount
- B. Cable Mount
- C. Stem Mount
- D. T-bar Hanger Mount
- E. Tong Hanger Mount
- F. Chain Hanger Mount
- G. Continuous Row Mount
- H. Wire Guard Installation
- I. Injection Molded ABS Endcap Installation



CAUTION! – READ THIS FIRST - IMPORTANT SAFETY INSTRUCTIONS

WARNING: THIS PRODUCT MUST BE INSTALLED IN COMPLIANCE WITH THE NATIONAL ELECTRICAL CODE AND/OR ANY LOCAL CODES BY A PERSON FAMILIAR WITH THE CONSTRUCTION AND OPERATION OF THE PRODUCT AND THE HAZARDS INVOLVED. IF YOU HAVE ANY QUESTIONS REGARDING THE PROPER INSTALLATION OR LOCAL CODES, CONSULT A QUALIFIED ELECTRICIAN.

WARNING: RISK OF FIRE, MINIMUM OF 90°C SUPPLY CONDUCTOR. CONSULT A QUALIFIED ELECTRICIAN TO ENSURE CORRECT BRANCH CIRCUIT CONDUCTOR.

WARNING: TO AVOID SHOCK HAZARD, DISCONNECT THE POWER AT THE PANEL BOARD (CIRCUIT BREAKER BOX) BEFORE BEGINNING INSTALLATION.

WARNING: INSTALL THE FIXTURE IN ONLY AN INDOOR ENVIRONMENT AND FOR THE INTENDED USE.

WARNING: INJURY TO PERSONS AND DAMAGE TO THE FIXTURE AND/OR MOUNTING SURFACE MAY RESULT IF THE FIXTURE IS PULLED FROM THE SURFACE. TO REDUCE THE LIKELIHOOD OF SUCH INJURY OR DAMAGE, MOUNT ONLY ON A SURFACE THAT IS MECHANICALLY SOUND.

PART NOMENCLATURE

Refer to Figure 1 and Figure 2 for identification of the parts referenced in this guide.

- A. Housing
- B. Metal end cap (2)
- C. Reflector plate assembly
- D. Lens

- E. Row mounting bracket
- F. Joiner lens
- G. T-bar hanger bracket
- H. Tong hanger bracket
- I. Injection Molded ABS Endcap
- J. Wire guard mounting clip

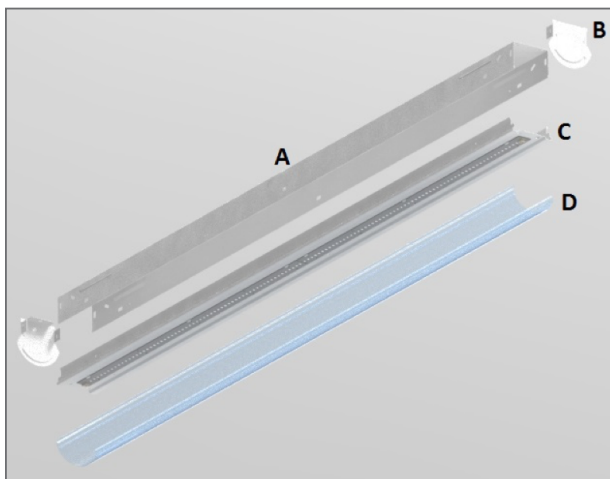


FIGURE 1

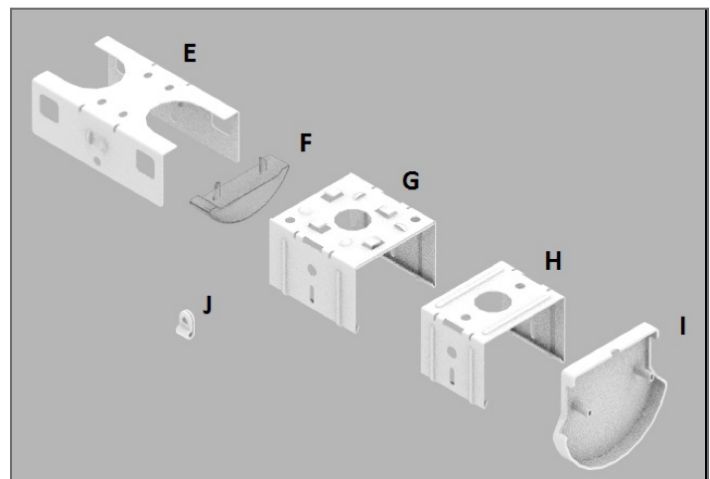


FIGURE 2

A. SURFACE MOUNTING INSTRUCTIONS

1. Squeeze the housing above each of the engagement points (circled in red in Figure 3) and separate the reflector plate and lens from the housing.

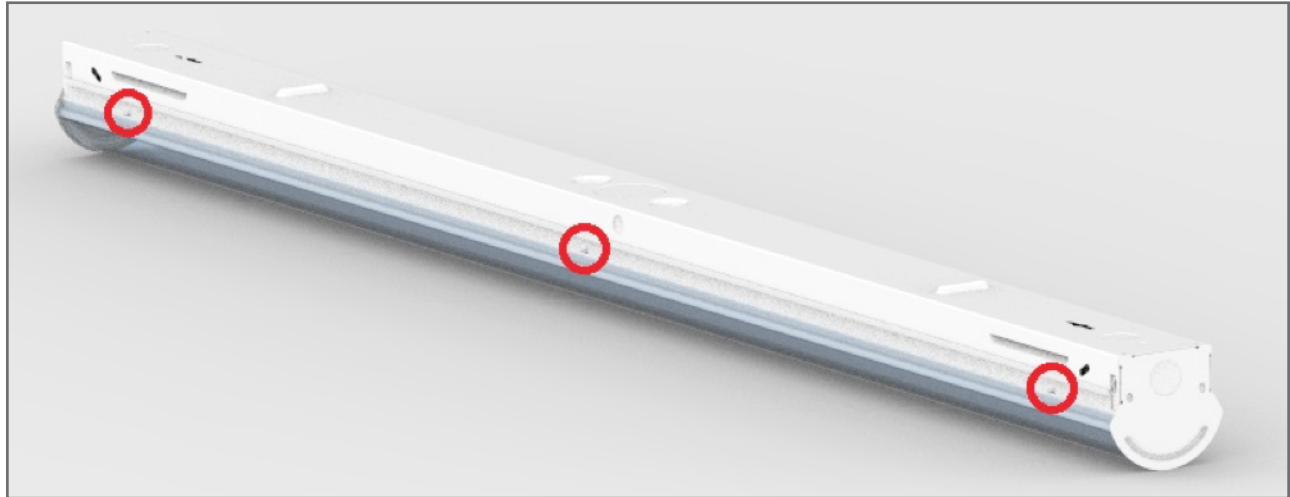


FIGURE 3

2. Select the knockout desired for input wire routing either on the housing or the metal end cap and remove it.

3. Position the housing to the desired mounting location on the wall or ceiling. At the designated mounting points (circled in blue in Figure 4), use appropriate fasteners (by others) to secure the housing to wall or ceiling.

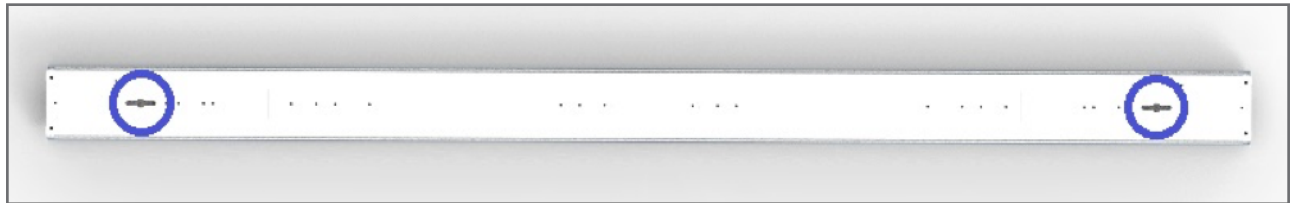


FIGURE 4

4. Route the input wires through the chosen knockout and make electrical connections according to Figure 5.

5. Reinsert the reflector plate and lens. If desired, screws (by others) can be inserted next to the outer engagement points to further secure the reflector plate to the housing.

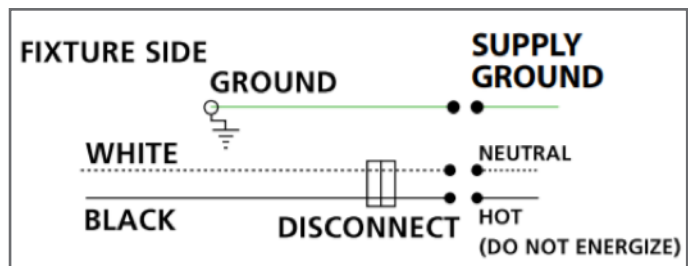


FIGURE 5

B. CABLE MOUNTING INSTRUCTIONS

1. Squeeze the housing above each of the engagement points (circled in red in Figure 3) and separate the reflector plate and lens from the housing.
2. Select the knockout desired for input wire routing either on the housing or the metal end cap and remove it.
3. Remove the 1/4" knockouts (shown circled in Figure 6) on each end of the housing.
4. Insert the threaded end of the cable bushing into the knockout and fasten in place with the hex nut, as shown in Figure 7.



FIGURE 6

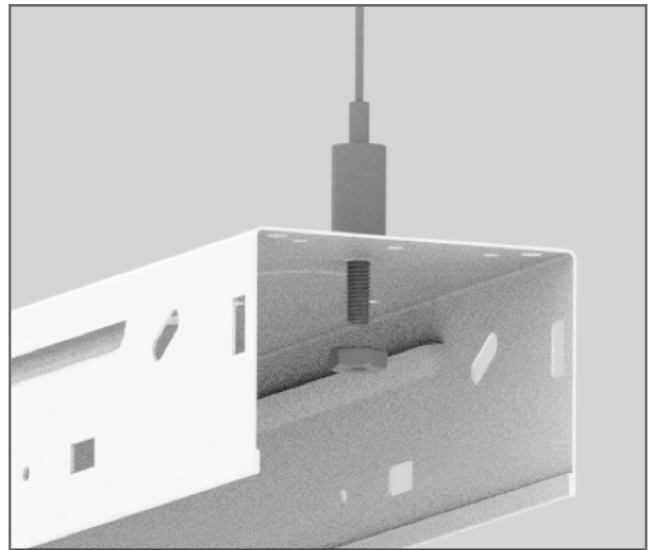
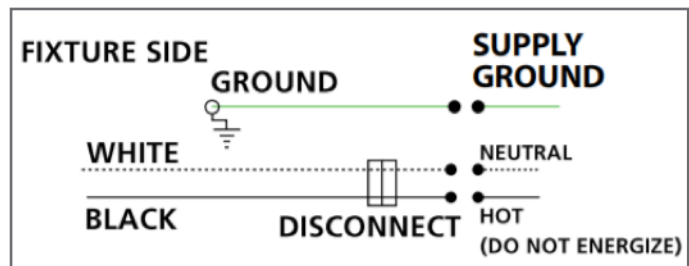


FIGURE 7

5. Route the input wires through the chosen knockout and make electrical connections according to Figure 8.
6. Reinsert the reflector plate and lens. If desired, screws (by others) can be inserted next to the outer engagement points to further secure the reflector plate to the housing.



C. STEM MOUNTING INSTRUCTIONS

1. Squeeze the housing above each of the engagement points (circled in red in Figure 3) and separate the reflector plate and lens from the housing.
2. Select the knockout desired for input wire routing either on the housing or the metal end cap and remove it.
3. Remove the 7/8" knockouts (shown circled in Figure 9) on each end of the housing.
4. Insert the end of the stem into the knockout and fasten in place with a nut on each side of the housing, as shown in Figure 10.

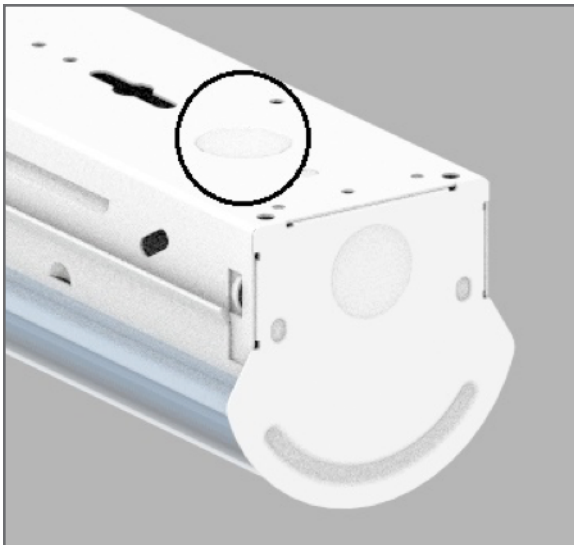


FIGURE 9

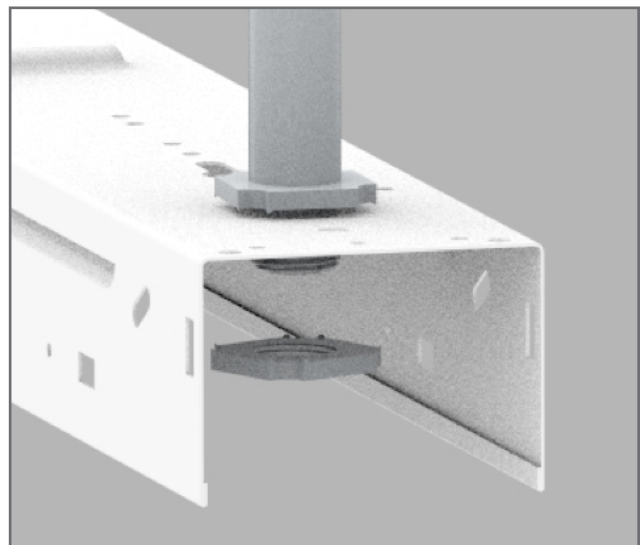


FIGURE 10

5. Route the input wires through the chosen knockout and make electrical connections according to Figure 11.

6. Reinsert the reflector plate and lens. If desired, screws (by others) can be inserted next to the outer engagement points to further secure the reflector plate to the housing.

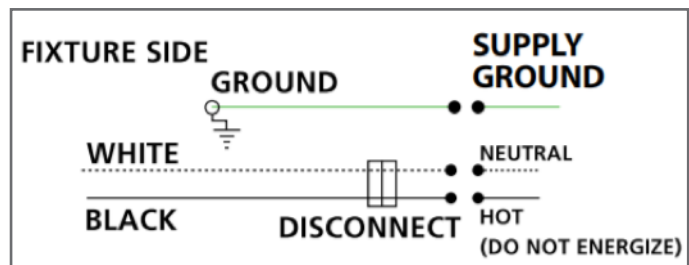


FIGURE 11

D. T-BAR HANGER MOUNTING INSTRUCTIONS

1. Squeeze the housing above each of the engagement points (circled in red in Figure 3) and separate the reflector plate and lens from the housing.

2. Select the knockout desired for input wire routing either on the housing or the end piece and remove it.

3. Install the T-bar hanger brackets ("G" in Figure 2) 40" apart onto the T-bar ceiling by twisting the brackets into place as shown in Figure 12 (viewed from above the ceiling grid). It is critical to ensure that the bracket is fully engaged with the T-bar. For one fixture, two brackets are required. For row mounted fixtures, one bracket at each end and a minimum of one per fixture in between is required.

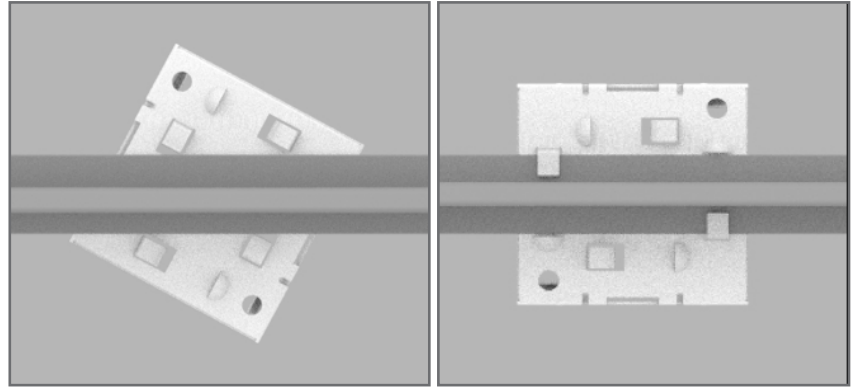


FIGURE 12

4. Press the housing into the T-bar hanger brackets so that it snaps into place, as shown in Figure 13. It is recommended to place a self-drilling screw (by others) at the circled location for increased security.

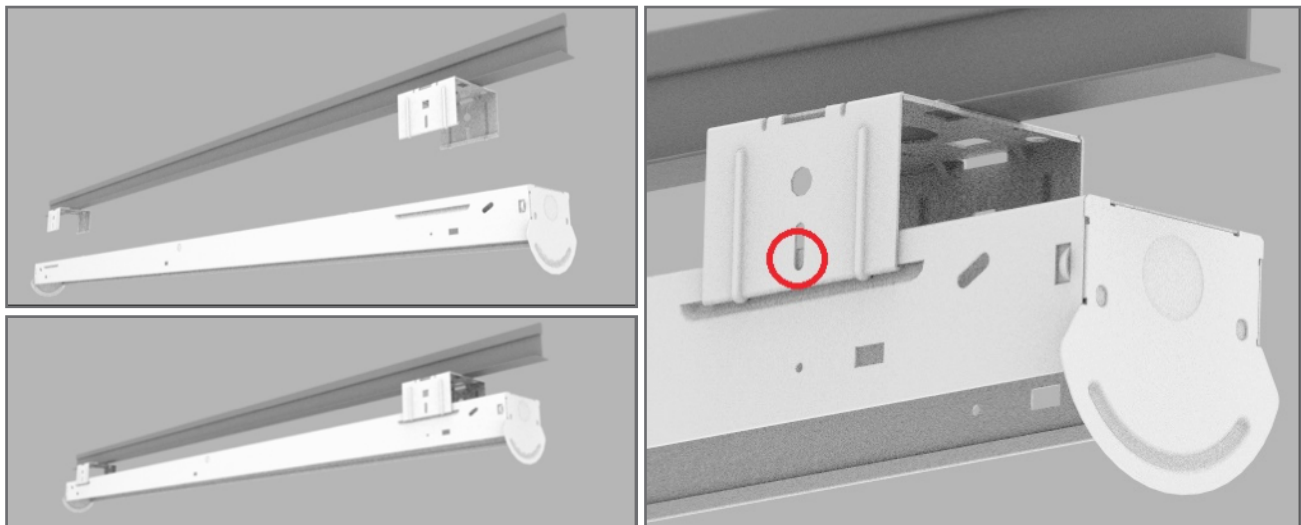


FIGURE 13

5. Route the input wires through the chosen knockout and make electrical connections according to Figure 14.

6. Reinsert the reflector plate and lens. If desired, screws (by others) can be inserted next to the outer engagement points to further secure the reflector plate to the housing.

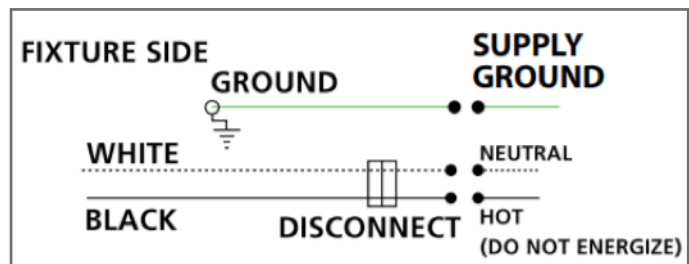


FIGURE 14

E. TONG HANGER MOUNTING INSTRUCTIONS

1. Squeeze the housing above each of the engagement points (circled in red in Figure 3) and separate the reflector plate and lens from the housing.
2. Select the knockout desired for input wire routing either on the housing or the metal end cap and remove it.
3. Position the tong hanger brackets ("H" in Figure 2) to the desired mounting location, spaced 40" apart. At the designated mounting points, use appropriate fasteners (by others) to secure the brackets to the ceiling. For row mounted fixtures, one bracket at each end and a minimum of one per fixture in between is required.
4. Press the housing into the tong hanger brackets so that it snaps into place, as shown in Figure 15. It is recommended to place a self-drilling screw (by others) at the circled location for increased security.

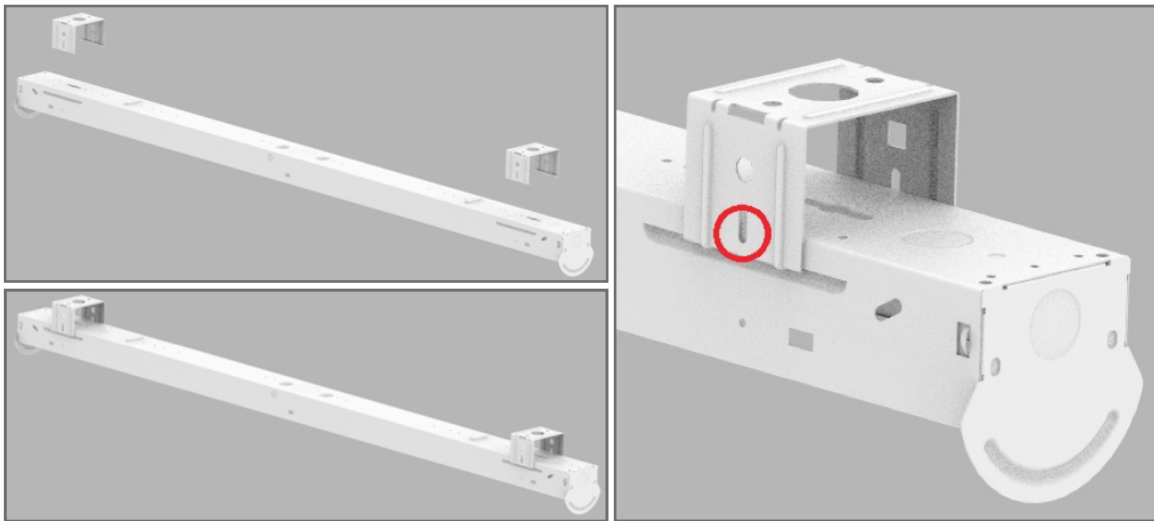


FIGURE 15

5. Route the input wires through the chosen knockout and make electrical connections according to Figure 16.
6. Reinsert the reflector plate and lens. If desired, screws (by others) can be inserted next to the outer engagement points to further secure the reflector plate to the housing.

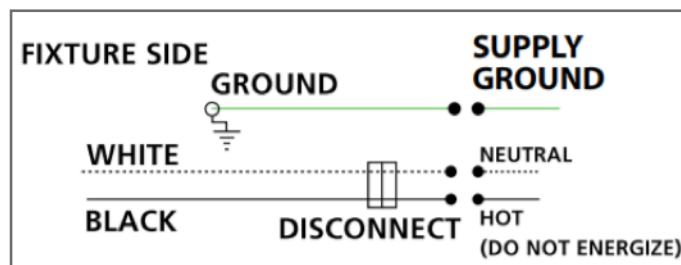


FIGURE 16

F. CHAIN HANGER MOUNTING INSTRUCTIONS

1. Squeeze the housing above each of the engagement points (circled in red in Figure 3) and separate the reflector plate and lens from the housing.
2. Select the knockout desired for input wire routing either on the housing or the metal end cap and remove it.
3. Measure the chain to the desired hanging length and insert the hanger hook into the appropriate chain link.
4. Insert the ends of the hanger hooks into the slots as shown in Figure 17.

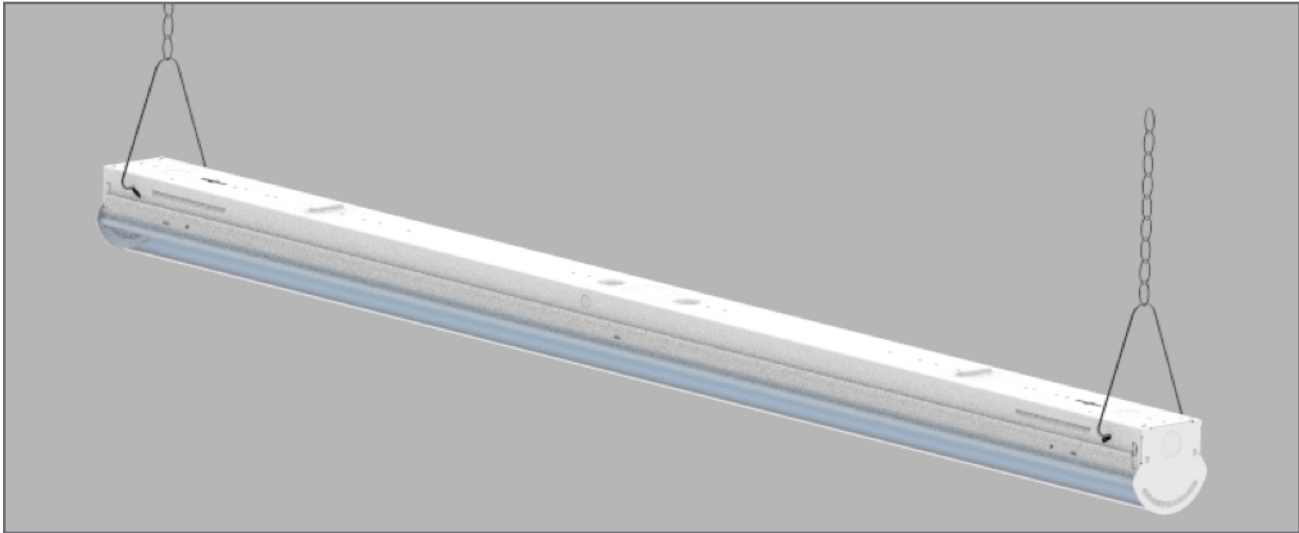


FIGURE 17

5. Route the input wires through the chosen knockout and make electrical connections according to Figure 18.
6. Reinsert the reflector plate and lens. If desired, screws (by others) can be inserted next to the outer engagement points to further secure the reflector plate to the housing.

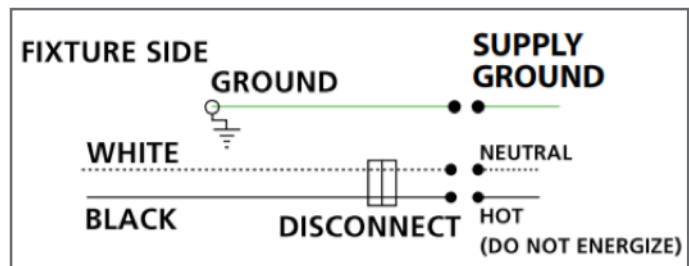


FIGURE 18

G. CONTINUOUS ROW MOUNTING INSTRUCTIONS

1. Squeeze the housing above each of the engagement points (circled in red in Figure 3) and separate the reflector plate and lens from the housing. Repeat this step for all luminaires intended for row mounting.
2. Remove the screw in the metal end cap, then push the housing outward at the snap detail location and remove the metal end cap wherever two luminaires are intended to meet. The snap detail is circled in Figure 19.

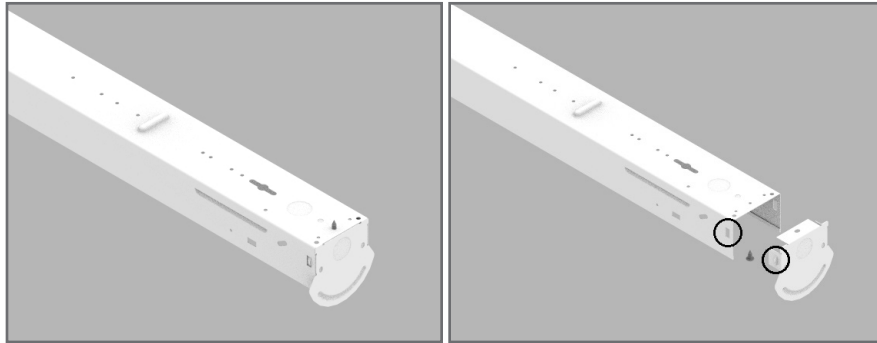


FIGURE 19

3. Snap the row mounting bracket ("E" in Figure 2) into the first housing in place of the metal end cap and repeat for the remaining housings, shown in Figure 20.

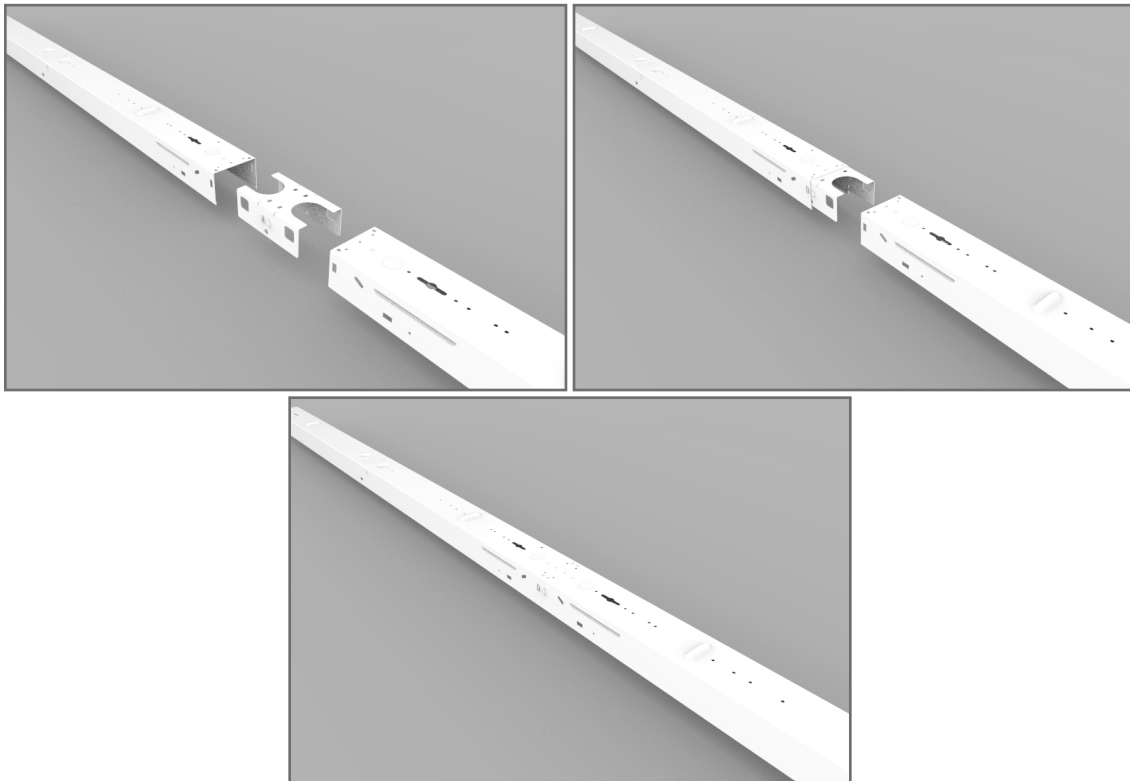


FIGURE 20

4. From the inside, insert 4 self-tapping screws at the circled location in Figure 21 to secure the housings to the bracket.

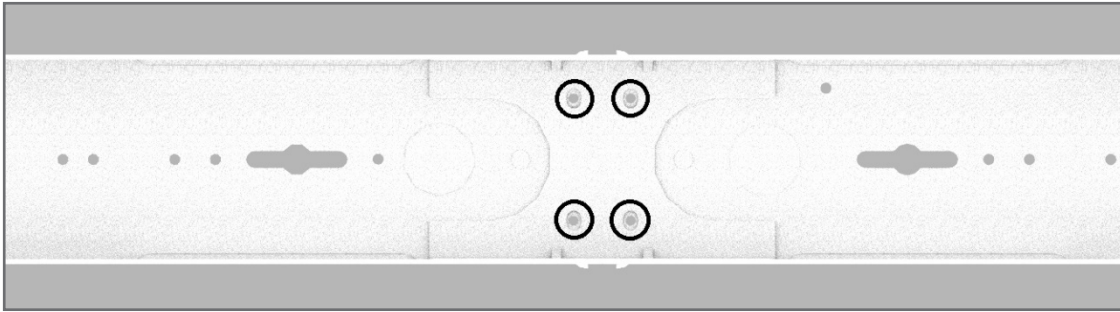


FIGURE 21

5. Following the instructions, mount the housings for the desired mounting condition, stopping before reinstalling the lenses.

6. Reinstall the lens on the first luminaire.

7. Insert the ends of the joiner lens's legs (circled in red Figure 22) into the cutouts of the reflector plates (circled in blue in Figure 23) and rotate the joiner piece to fit in between the outer lens and the reflector plates (Figure 18).

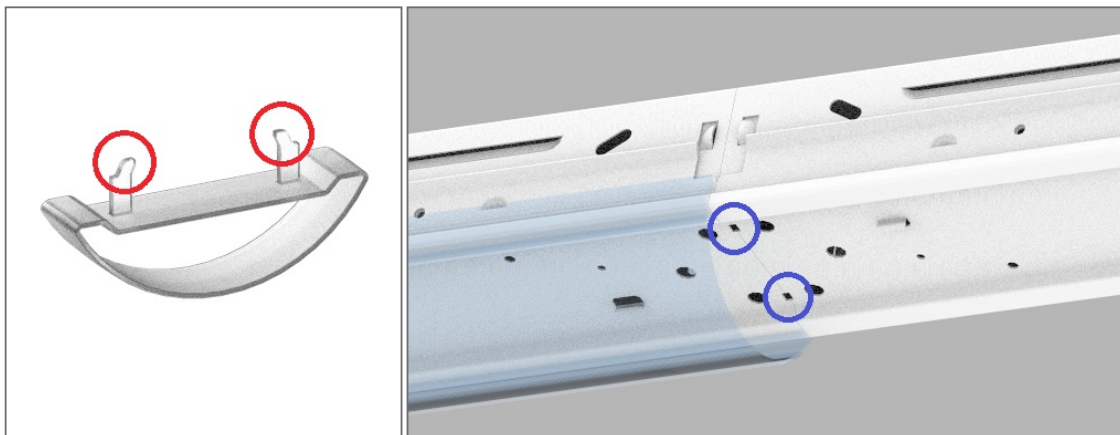


FIGURE 22

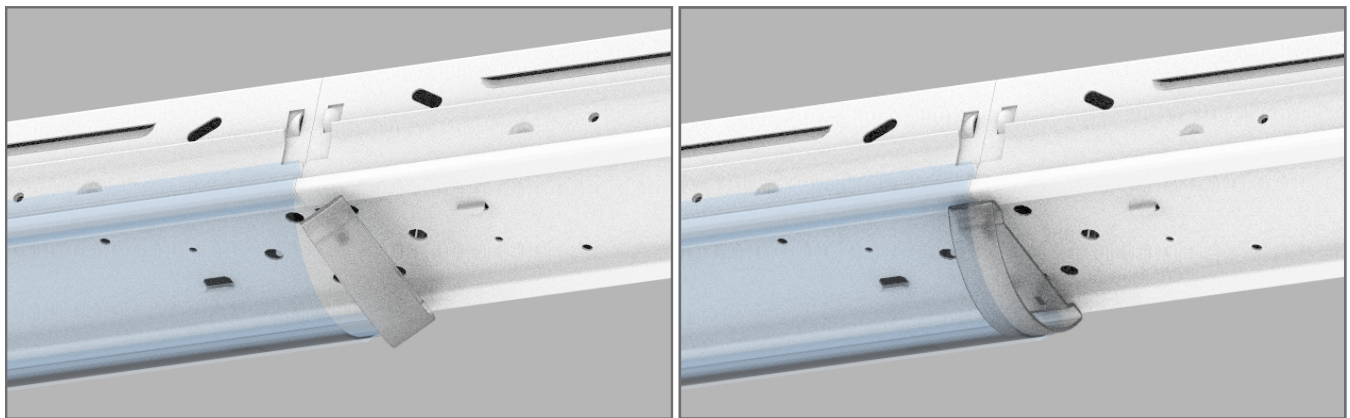


FIGURE 23

8. Reinstall the outer lens and repeat steps 5 and 6 as necessary until the final outer lens is installed.

H. WIRE GUARD MOUNTING INSTRUCTIONS

1. Follow the appropriate instructions to mount the luminaire in the desired mounting condition.
2. Slide the wire guard over the luminaire from one end of the fixture, as shown in Figure 24.

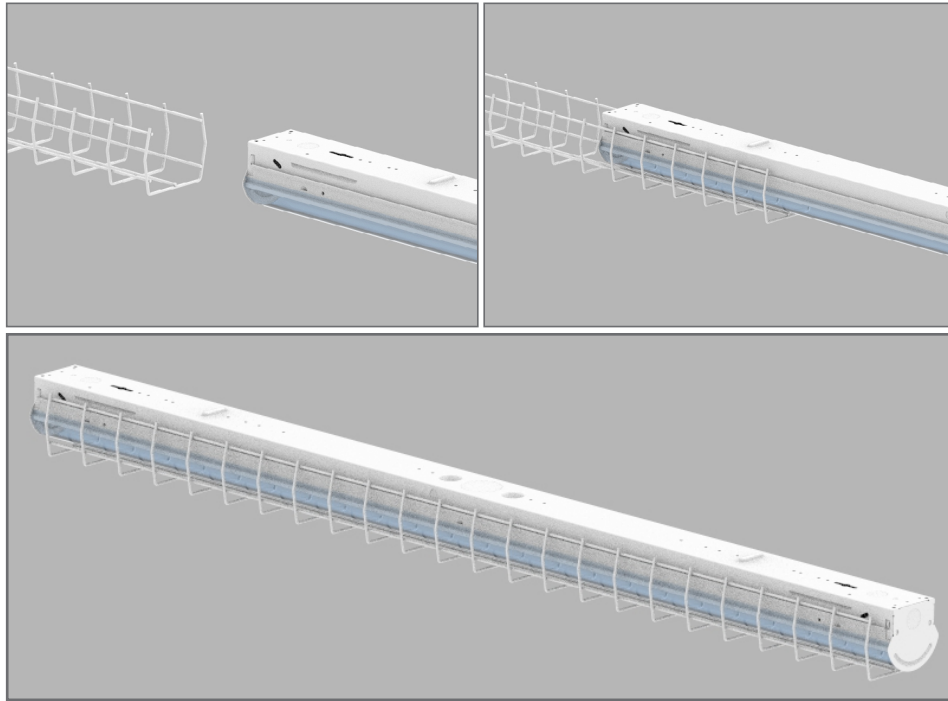


FIGURE 24

3. Measure 6.5" from the end of the luminaire and mark the housing. Snap the wire guard mounting clip ("J" in Figure 2) onto the guard and fasten in place at the marking using a self-drilling screw as shown in Figure 25. Repeat this step for each side and end of the luminaire, and ensure that the wire guard is centered.

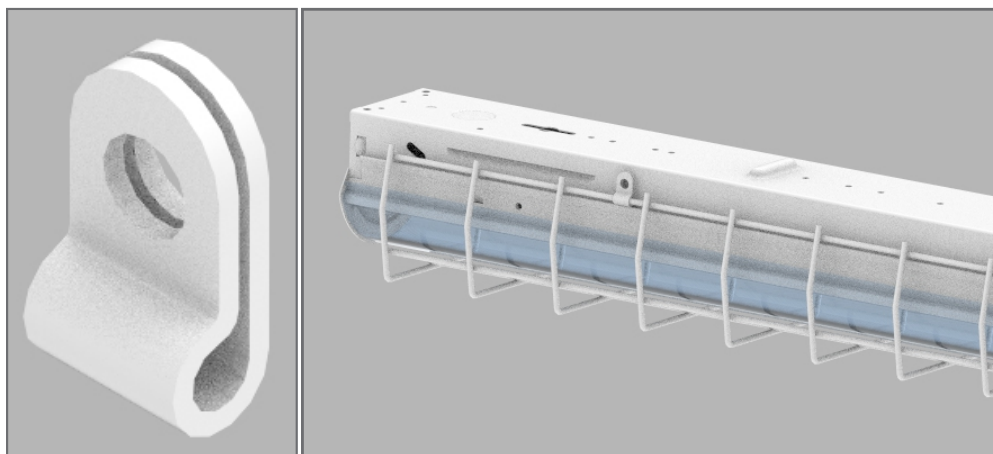


FIGURE 25

I. INJECTION MOLDED ABS ENDCAP INSTALLATION

1. Remove the two oblong knockouts (circled in Figure 26) on the metal end cap.

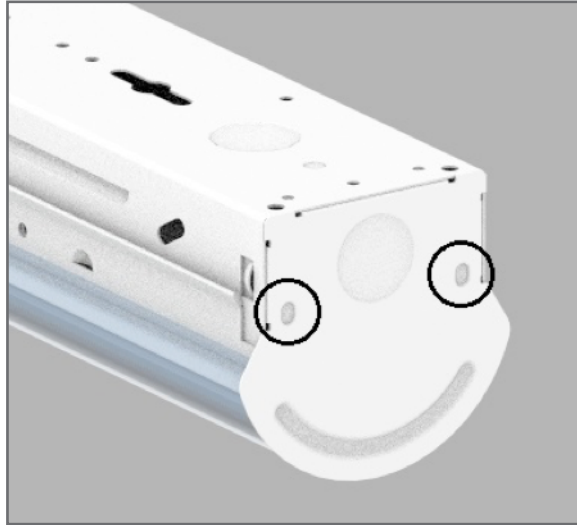


FIGURE 26

2. Snap the Injection Molded ABS Endcap ("I" in Figure 2) into place over the metal end caps as shown in Figure 27.

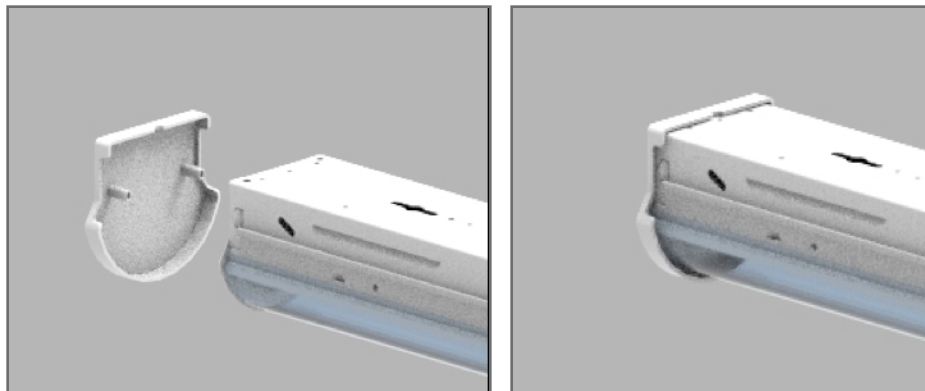


FIGURE 27