

IMPORTANT

The battery in this unit may not be fully charged. After electricity is connected to the unit, let battery charge up to 24 hours. Then the normal operation of this unit should take effect. To check press the “TEST” button and the lights on the unit should turn ON

IMPORTANT SAFEGUARDS

When using electrical equipment, basic safety precautions should always be followed including the following.

READ AND FOLLOW ALL SAFETY INSTRUCTIONS

1. Rated for temperature range of 10°C-40°C (50°F - 104°F) and suitable for use in an application that is designated as a damp location area as defined by NED Article 100, Location, Damp.
2. Used Indoors
3. Equipment should be mounted in locations and at heights (Max: 8ft) where it will not be subject to tampering by unauthorized personnel.
4. Do not mount near gas or electric heaters.
5. The use of accessory equipment is not recommended by the manufacturer and may cause an unsafe condition.
6. Do not use this equipment for anything other than its intended use.
7. Servicing of this equipment should be performed by qualified personnel.
8. Disconnect AC power before servicing.

INSTALLER:

- SEE UNIT LABEL FOR ADDITIONAL MODEL SPECIFICATIONS
- SAVE THESE INSTRUCTIONS FOR USE BY OWNER/OCCUPANT



RECYCLING INFORMATION

All steel, aluminum and thermoplastic parts are recyclable. All cartons contain recycled materials.
Please recycle responsibly.

WARNING – This product contains chemicals known to the State of California to cause cancer, birth defects and/or other reproductive harm. Thoroughly wash hands after installing, handling, cleaning, or otherwise touching this product.

Warning:
Unused wires must be capped using enclosed wire nuts.

J-Box Mounting

1. Open the Base plate and lead out a wire after getting through the hole on the Base plate. Fix the Base plate on J-Box with screws.
2. Then connect to AC power (Fig.D).
3. Connect to the battery with connectors (Fig.E).
4. Install the housing to Base plate, turn on the AC power and press the "TEST" button check light (Fig.F).

Conduit Mounting

1. Use tool to pry the hold position on both sides of the transparent lid to remove it. (Fig. A)
2. Press holding bottoms to take the unit out of the base plate. (Fig. B&C)
3. Secure Base Plate to wall surface. Route wires through hole in conduit flange and make conduit connection. Use flexible conduit only. (Fig.D)
4. Connect battery only after continuous AC power is being supplied to the unit (Fig. E).
5. Place the unit back to the base plate and add the transparent lid on, make sure both unit and transparent lid are fixed.
6. Align snaps and push housing directly onto the Base Plate (Fig. G). Apply continuous AC power and press "TEST" button to check light.

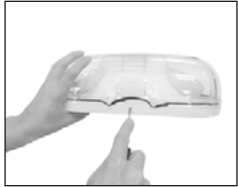


Fig. A



Fig. B



Fig. C

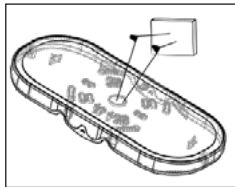


Fig. D

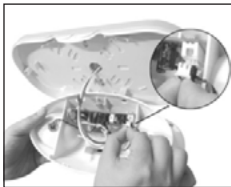


Fig. E



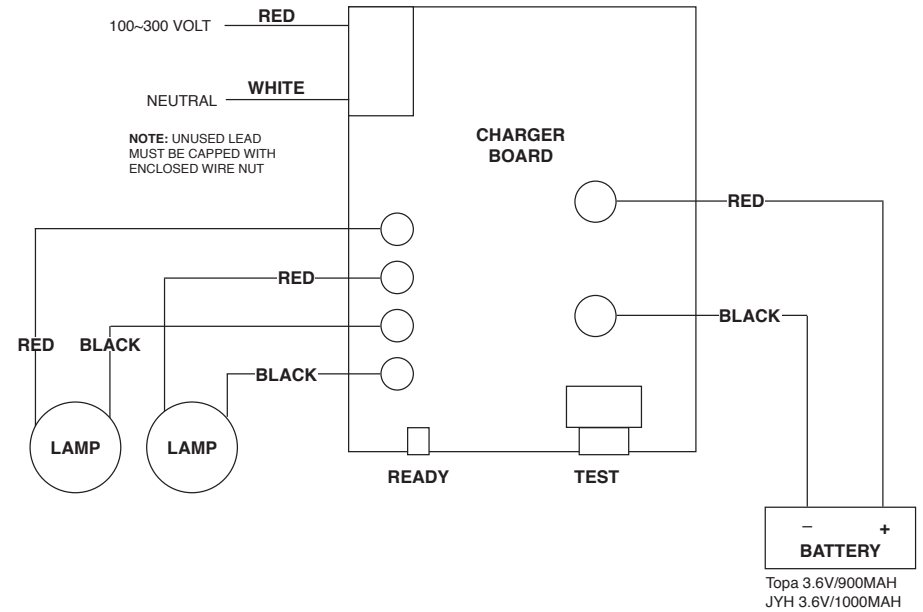
Fig. F



Fig. G

1. During an electrical power failure, the lamps on the unit will automatically come ON for a minimum of 90 minutes.
2. To test this unit, let it charge correctly with AC power supply for a minimum of 24 hours after its first installation and then depress the "TEST" switch, the emergency lamps will illuminate. When the switch is released, the lamps will turn OFF.

WIRING DIAGRAM



Topa 3.6V/900MAH
JYH 3.6V/1000MAH