

NOMINAL LUMENS	DELIVERED LUMENS	WATTAGE
5000	5272	39 W
4000	4121	30 W
3000	2978	23 W

Based on 4000K, 85+ CRI. Actual wattage may vary +/- 5%

**FEATURES**

The OEC is a versatile LED strip light that can be suspended or surface mounted. Available in single pendant or continuous mounting with a form factor that ensures continuous illumination. An acrylic lens delivers low-glare, even illumination for comfortable environments. The slim 3-3/8" profile makes the OEC ideal for illuminating a variety of narrow applications such as aisles, hallways, corridors, parking garages, as well as education, healthcare, and transportation applications.

LUMENS	3000, 4000, 5000
CCT	35K, 40K, 50K
CRI	85+
COLOR QUALITY	3 Step MacAdam Ellipse
LENGTH	2', 4' or 8'
MOUNTING	Suspended or Surface
DIMMING & CONTROL	0-10V Flicker Free 1% Dimming Standard (DIM10)
EMERGENCY	10W - Up to 1000L output (Bodine BSL310)
LIFETIME	L70 at 50,000 Hours
PHOTOMETRIC TESTS	In Accordance with IES LM79-08, LM80 and TM-30, TM-21



**OPTICS & PERFORMANCE**

Frosted acrylic lens provides even, shadow-free illumination. Lens has tool-less removal, ensuring easy upgrading and maintenance.

**CONSTRUCTION**

Heavy-duty 20-gauge cold rolled steel body, post-painted. High-gloss white finish is pre-treated with 5-stage iron phosphate coating, which provides superior paint adhesion and protection against weathering.

**INSTALLATION**

Surface or suspended mounting; individual or continuous row mounting (CRM). The first luminaire in the row for CRM will always be the power supply feed. After plugging in the male and female harnesses, which are supplied with each luminaire, they will easily slide together. Secure with two screws in the connecting brackets.

**DRIVER ELECTRICAL INFORMATION**

Powered by high-quality constant-current power LED drivers, rated for 50 to 60Hz at 120-277V input, produce less than 20% THD, and have a power factor of .90 to 1.00. Male and female 18-gauge 6 wire plug connectors are included with every luminaire to allow for simple, hassle-free continuous wiring. Each luminaire must be installed male to female.

**DIMMING & DRIVER INFORMATION**

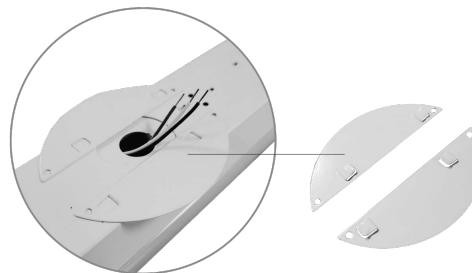
**DIM10** - Flicker Free 1% Dimming Standard (DIM10) 0-10V dimming on either MVOLT 120, 277V.

**WARRANTY**

Five-year warranty for parts and components. (Labor not included)

**LISTINGS**

c-UL-us - Listed for Feed Through Wiring.  
Listed for DLC, California Title 24 compliant.  
c-UL-us Damp location listed



Cover for junction box is shipped standard with fixture, along with necessary hardware to secure cover to j-box.

Example: **4-OEC-LED-3000L-DIM10-MVOLT-40K-85**

4	OEC	LED										
FIXTURE SIZE	SERIES	TYPE	LUMENS	DIMMING	VOLTAGE	CCT	CRI	EMERGENCY				
4 - 4'	OEC - LED General Linear	LED	3000L - 3000 lumens 4000L - 4000 lumens 5000L - 5000 lumens	DIM10 - 0-10V Dimming	MVOLT	35K 40K 50K	85	O-EMG-LED-10W				
									<b>MOUNTING</b>			
									CRM - Continuous Row Mounting			
									<b>WIRING OPTIONS</b>			
									FBF - Internal Fast Blow Fuse SBF - Internal Slow Blow Fuse RIS - Radio Interference Suppressor			
									<b>OTHER OPTIONS</b>			
									OCGSS - Cable Gripper Suspension Kit WG - WireGuard USA - Made in America Compliance S05 - Power cord with 5 conductors for 0-10v dimming fixtures S06 - Power cord with 6 conductors for 0-10V dimming and with emergency OCVH - V-Hook & chain MFG-BRACKET-CR-OEC - bracket for continuous row mounting			
									<b>SIDE MOUNT CONTROL</b>			
									FSP-311-B-D - 0-10V continuous dimming PIR photo/motion sensor with bluetooth control option.			



**INTEGRATED SENSOR AND CONTROL OPTIONS**

With the integration of controls, Elite Lighting now offers its products with controls-ready performance that increases energy efficiency, smarter space planning, and the enhancement of safety and productivity in the workplace. By utilizing these controls, Elite Lighting luminaires enable your customer's facility to run smarter, with the use of an easily controlled system through any platform.

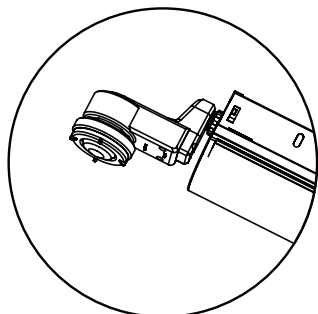
Luminaire will be shipped with Powerpacks pre-installed, ready to be integrated to designated control systems

Luminaire will be shipped with Sensors installed on the luminaire, allowing for individual luminaire control. Luminaires will be ready to be integrated with designated control systems

Luminaire will be shipped with Sensors to be remotely installed on the ceiling. Luminaires will be ready to be integrated with designated control systems

<b>BRAND</b>	
<b>PIR INTEGRATED SENSOR</b>	<input type="checkbox"/> FSP-311-B-D 0-10V continuous dimming PIR photo/motion sensor with bluetooth control option.

**SIDE MOUNT**



**LEGRAND**

FSP-311-B-D  
 0-10V continuous dimming PIR photo/motion sensor with bluetooth control option.