

NOMINAL LUMENS	DELIVERED LUMENS	WATTAGE
8000	8242	61W
6000	6208	44W
4000	4281	36W

Based on 4000K, 85+ CRI. Actual wattage may vary +/- 5%

FEATURES

The OEC is a versatile LED strip light that can be suspended or surface mounted. Available in single pendant or continuous mounting with a form factor that ensures continuous illumination. An acrylic lens delivers low-glare, even illumination for comfortable environments. The slim 3-3/8" profile makes the OEC ideal for illuminating a variety of narrow applications such as aisles, hallways, corridors, parking garages, as well as education, healthcare, and transportation applications.

LUMENS	4000, 6000, 8000
CCT	30K, 35K, 40K
CRI	85+
COLOR QUALITY	3 Step MacAdam Ellipse
LENGTH	2', 4' or 8'
MOUNTING	Suspended or Surface
DIMMING & CONTROL	0-10V Flicker Free 1% Dimming Standard (DIM10)
EMERGENCY	10W - Up to 1000L output
LIFETIME	L70 at 50,000 Hours
PHOTOMETRIC TESTS	In Accordance with IES LM79-08, LM80 and TM-30, TM-21



OPTICS & PERFORMANCE

Frosted acrylic lens provides even, shadow-free illumination. Lens has tool-less removal, ensuring easy upgrading and maintenance.

CONSTRUCTION

Heavy-duty 20-gauge cold rolled steel body, post-painted. High-gloss white finish is pre-treated with 5-stage iron phosphate coating, which provides superior paint adhesion and protection against weathering.

INSTALLATION

Surface or suspended mounting; individual or continuous row mounting (CRM). The first luminaire in the row for CRM will always be the power supply feed. After plugging in the male and female harnesses, which are supplied with each luminaire, they will easily slide together. Secure with two screws in the connecting brackets.

DRIVER ELECTRICAL INFORMATION

Powered by high-quality constant-current power LED drivers, rated for 50 to 60Hz at 120-277V input, produce less than 20% THD, and have a power factor of .90 to 1.00. Male and female 18-gauge 6 wire plug connectors are included with every luminaire to allow for simple, hassle-free continuous wiring. Each luminaire must be installed male to female.

DIMMING & DRIVER INFORMATION

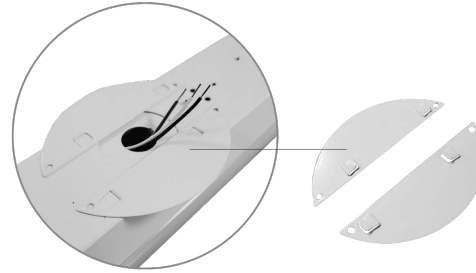
DIM10 - Flicker Free 1% Dimming Standard (DIM10) 0-10V dimming on either MVOLT 120, 277V.

WARRANTY

Five-year warranty for parts and components. (Labor not included)

LISTINGS

c-UL-us - Listed for Feed Through Wiring.
Listed for DLC, California Title 24 compliant.



Cover for junction box is shipped standard with fixture, along with necessary hardware to secure cover to j-box.

Example: **8-OEC-LED-8000L-DIM10-MVOLT-40K-85**

8	OEC	LED												
FIXTURE SIZE	SERIES	TYPE	LUMENS	DIMMING	VOLTAGE	CCT	CRI	EMERGENCY	MOUNTING		WIRING OPTIONS		OTHER OPTIONS	
8 - 8'	OEC - LED General Linear	LED	4000L - 4000 lumens 6000L - 6000 lumens 8000L - 8000 lumens	DIM10 - 0-10V Dimming	MVOLT	30K 35K 40K	85	0-EMG-LED-10W	CRM - Continuous Row Mounting	FBF - Internal Fast Blow Fuse SBF - Internal Slow Blow Fuse RIS - Radio Interference Suppressor	OCGSS - Cable Gripper Suspension Kit WG - WireGuard USA - Made in America Compliance S05 - Power cord with 5 conductors for 0-10v dimming fixtures S06 - Power cord with 6 conductors for 0-10V dimming and with emergency OCVH - V-Hook & chain MFG-BRACKET-CR-OEC - bracket for continuous row mounting	SIDE MOUNT CONTROL FSP-311-B-D - 0-10V continuous dimming PIR photo/ motion sensor with bluetooth control option.		

INTEGRATED SENSOR AND CONTROL OPTIONS

With the integration of controls, Elite Lighting now offers its products with controls-ready performance that increases energy efficiency, smarter space planning, and the enhancement of safety and productivity in the workplace. By utilizing these controls, Elite Lighting luminaires enable your customer's facility to run smarter, with the use of an easily controlled system through any platform.

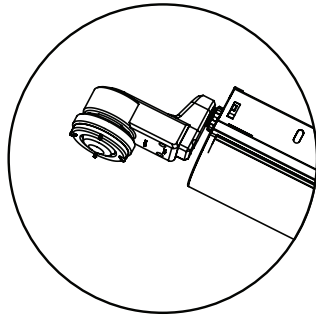
Luminaire will be shipped with Powerpacks pre-installed, ready to be integrated to designated control systems

Luminaire will be shipped with Sensors installed on the luminaire, allowing for individual luminaire control. Luminaires will be ready to be integrated with designated control systems

Luminaire will be shipped with Sensors to be remotely installed on the ceiling. Luminaires will be ready to be integrated with designated control systems

BRAND	
PIR INTEGRATED SENSOR	<input type="checkbox"/> FSP-311-B-D 0-10V continuous dimming PIR photo/motion sensor with bluetooth control option.

SIDE MOUNT



LEGRAND

FSP-311-B-D
 0-10V continuous dimming PIR photo/motion sensor with bluetooth control option.