

Project:	Type:	Prepared By:	Date:
-----------------	--------------	---------------------	--------------



Features and Benefits

- Replacement for conventional fluorescent T8 and T12 linear tubes
- Integral Driver enables lamp to be wired directly to line voltage without need for an external driver or ballast
- Approximately 50% more energy efficient when compared to Fluorescent T8 lamps
- Works with non-shunted sockets ONLY
- Separate wiring harness and socket kit accessory available
- 50,000 hour Lifespan
- Rated for use in enclosed and open fixtures in dry or damp locations
- Diffused frosted lens will maintain the same light quality over time
- Instant on full brightness
- Environmentally friendly, no mercury used
- NSF Listed: NSF/ANSI Standard 2 - Food Equipment - Splash Zone (Not for Direct Food Zone without additional fixture considerations)

Technical Specifications

Performance	L70 Lifespan:	Base Type:
Product Type:	50,000 Hours	G13
Linear	Dimmable:	Beam Angle:
Input Wattage:	No	240°
15W	Construction	For Use Outdoors in Open Fixtures:
Typical Lumen Output:	Material:	No
1800	Glass	Other
Efficacy:	Bulb Shape:	Equivalency:
120 lm/W	T8	32W Fluorescent
Color Temperature:	Nominal Length:	Warranty (Years):
5000K Daylight	4FT	RAB warrants that our LED products will be free from defects in materials and workmanship for a period of five (5) years from the date of delivery to the end user, including coverage of light output, color stability, driver performance and fixture finish. RAB's warranty is subject to all terms and conditions found at rablighting.com/warranty .
CRI:	Finish:	
82	Frosted	

Technical Specifications (continued)

Electrical

Operating Temperature:

-20°C - 45°C

Input Voltage:

100-277V

Operating Frequency:

50/60 Hz

Installation

Installation Type:

Type B, Single Ended wiring

Compliance

UL Recognized:

Yes

UL Classified:

Yes

NSF Listed:

Meets NSF/ANSI standards for use in Food Zone (non-contact), Splash, and Non-Food Zones. Tube guard required in open fixtures.

CEC Status:

Lawful for sale in California

Application:

Suitable for damp locations and totally enclosed fixtures.

DLC Model Number:

T8-15-48G-850-SE-BYP

DLC Listed:

This product is on the Design Lights Consortium (DLC) Qualified Products List and is eligible for rebates from DLC Member Utilities. Designed to meet DLC 5 requirements.

DLC Product Code: PDE67QUX

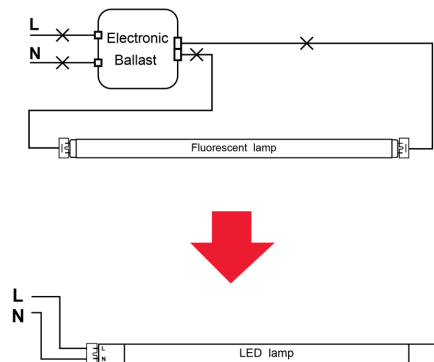
Minimum Compartment Size

Length x Width x Height [in]	Lamp Quantity
48.8 x 22.4 x 2.0	4

Case and Pallet Dimensions

	QTY	LENGTH (in)	WIDTH (in)	HEIGHT (in)
CASE	25	49.2	7.9	7.3
PALLET	30	49.2	39.4	48.8

Wiring Diagram



Dimension

