

# LDN Series 4"

Commercial-grade Downlighting

## Features that redefine affordability!

The **LDN 4"** family of downlights is the most cost-effective solution for commercial-grade downlight applications seeking general illumination. Family includes round & square downlights both open and wallwash as well as Cylinders.

### Key Features:

- With 55° cutoff and 75 – 80 typical LPW, LDN4 allows for a quiet, glare-free ceiling without compromising on efficacy
- 1.0 Spacing/Mounting Height ratio provides general illumination performance
- Open wallwash kicker design provides a complementary asymmetric washlight distribution
- Cylinders available in surface, pendant, cable or wall-mounting options
- eldoLED dimming drivers available in 10% or 1% minimum dimming levels
- Available with nLight® network controls from Acuity Controls
- **A+ capable configurations (see back for details)**

Learn more about the LDN at [www.lithonia.com](http://www.lithonia.com)



Round Downlight



Round Wallwash



Square Downlight

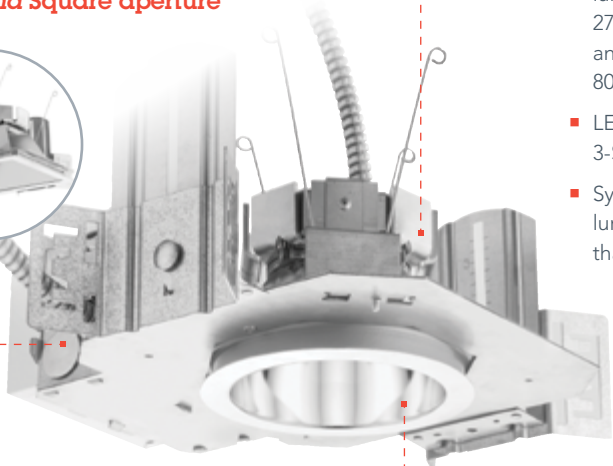
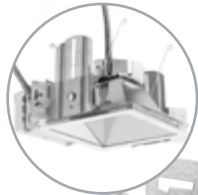


Square Wallwash

# LDN Series 4" Downlight

The LDN Series is the versatile LED downlight you've been looking for. Despite its very reasonable price, it comes with a remarkable number of features that contribute to its outstanding value.

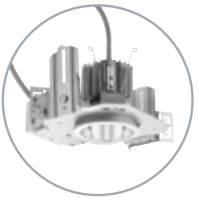
**The LDN platform is available in both classic forms: Round and Square aperture**



1500lm shown

- eldoLED 0-10V dimming driver
- MVOLT (120-277V); 347V optional

- Up to 3000 delivered lumens, available in 2700K, 3000K, 3500K and 4000K CCT at 80+ CRI
- LEDs binned to a 3-Step SDCM
- System maintains 70% lumen output for more than 50,000 hours



LDN Series heat sinks are optimized for each lumen package.

3000lm shown

- 55° cut off allows for a quiet, glare free ceiling
- 1.0 s/mh spacing for general illumination
- Damp or wet location available
- specular, semi-specular and matte diffuse finishes available

**Your 4" family for all of your commercial projects with downlight, wallwash and cylinders.**



**Cable**



**Pendant**



**Surface Mount**



**Wall Mount**

- Available in 10 standard colors and any RAL color
- Available in wet and damp location
- Available in downlight and wallwash reflectors



A+ Capable configurations support A+ Certified Solutions. A+ Certified solutions from Acuity Brands help you quickly and confidently select and implement lighting systems that are both compatible and consistent.

For a lighting application, A+ Certified means a verified consistent color appearance and dimming performance of all the fixtures within the certified solution. For lighting professionals, it means ease, freedom and confidence that all parts of a certified lighting system will operate together.

Go to [www.acuitybrands.com/APlus](http://www.acuitybrands.com/APlus) or contact your local Acuity Brands representative for more information.



eldoLED



POWER ENTRY

WET LOCATION

AcuityControls  
nLight

Visit [www.lithonia.com](http://www.lithonia.com) for more information.