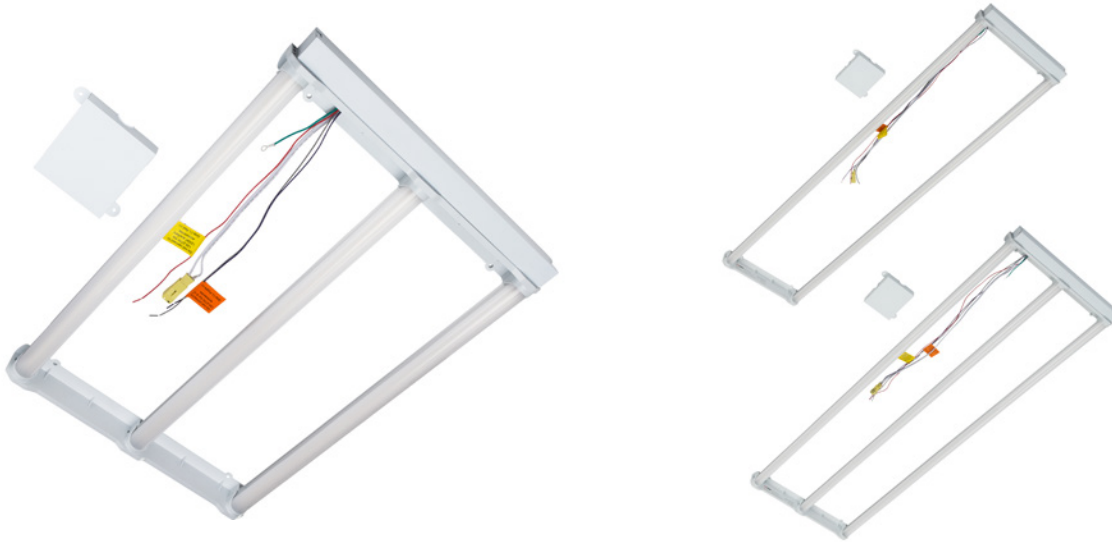


LED MAGNETIC RETROFIT

2' x 2' and 2' x 4' for fluorescent troffers



The LED Magnetic Retrofit is the market's easiest fluorescent-to-LED troffer retrofit kit. Equipped with rare earth magnets at each corner, this one-piece retrofit solution makes upgrading your fluorescent troffer quick and painless; after removing your existing tubes and ballast, the Magnetic Retrofit snaps right in to your troffer for easy attachment and alignment.

New and improved versatility includes an adjustable wattage driver, allowing the installer to choose between three wattage settings to customize the lumen output that matches their preference, as well as further reduce energy usage and qualify for higher rebates. A 12V accessory wire takes customization further, allowing connectability between the retrofit kit and add-on sensors.

KEY FEATURES

- 100,000-hour rated life
- 10-year warranty
- DLC Premium (157 LPW)
- Adjustable wattage switch
- 12V accessory wire
- Rare earth magnets
- 0-10V dimming
- Damp location rated
- Emergency battery backup available

MARKETS

- Schools and universities
- Offices and municipal buildings
- Healthcare facilities and hospitals

APPLICATIONS

- Grid/drop ceilings
- Fluorescent troffers



LED MAGNETIC RETROFIT

SPECIFICATIONS

Average Rated Life: 100,000H

CRI: 82

Power Factor: ≥0.9

Weight: 2'x2' = 9.5 lbs | 2'x4' = 17.5 lbs.

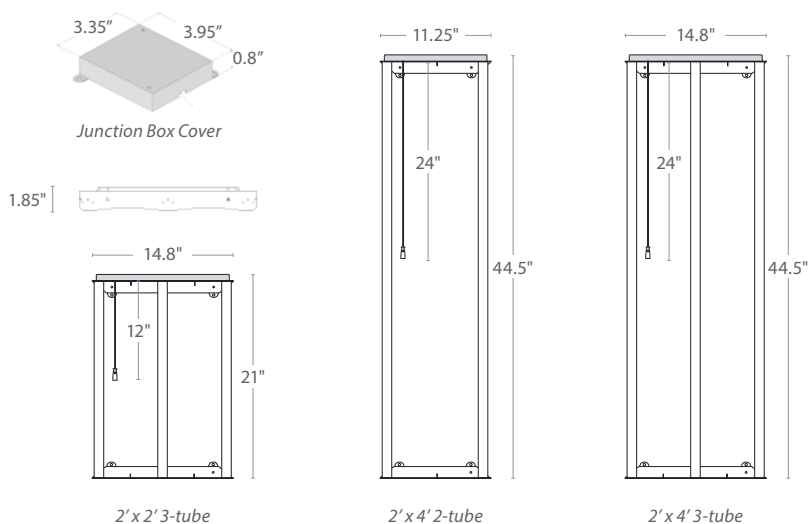
Beam Angle: 110°

Operating Temperature: -5°F to 95°F

Volts: 120-277

Dimming: 0-10V

12V Auxillary: Yes



ORDERING INFORMATION

2' X 2' 3-TUBE

ORDERING CODE	DESCRIPTION	WATTS	CCT (K)	RETROFIT LUMENS*	LUMINAIRE LUMENS**
RFM3T235A	2X2 LED Magnetic Retrofit with Adjustable Wattage 30W Max 3500K	20, 25, 30	3500	3140, 3925, 4700	2500, 3125, 3750
RFM3T240A	2X2 LED Magnetic Retrofit with Adjustable Wattage 30W Max 4000K	20, 25, 30	4000	3140, 3925, 4700	2500, 3125, 3750
RFM3T250A	2X2 LED Magnetic Retrofit with Adjustable Wattage 30W Max 5000K	20, 25, 30	5000	3140, 3925, 4700	2500, 3125, 3750

2' X 4' 2-TUBE

ORDERING CODE	DESCRIPTION	WATTS	CCT (K)	RETROFIT LUMENS*	LUMINAIRE LUMENS**
RFM2T435A	2X4 LED Magnetic Retrofit with Adjustable Wattage 30W Max 3500K	20, 25, 30	3500	3140, 3925, 4700	2500, 3125, 3750
RFM2T440A	2X4 LED Magnetic Retrofit with Adjustable Wattage 30W Max 4000K	20, 25, 30	4000	3140, 3925, 4700	2500, 3125, 3750
RFM2T450A	2X4 LED Magnetic Retrofit with Adjustable Wattage 30W Max 5000K	20, 25, 30	5000	3140, 3925, 4700	2500, 3125, 3750

2' X 4' 3-TUBE

ORDERING CODE	DESCRIPTION	WATTS	CCT (K)	RETROFIT LUMENS*	LUMINAIRE LUMENS**
RFM3T435B	2X4 LED Magnetic Retrofit with Adjustable Wattage 35W Max 3500K	23, 30, 35	3500	3600, 4700, 5500	2875, 3750, 4375
RFM3T440B	2X4 LED Magnetic Retrofit with Adjustable Wattage 35W Max 4000K	23, 30, 35	4000	3600, 4700, 5500	2875, 3750, 4375
RFM3T450B	2X4 LED Magnetic Retrofit with Adjustable Wattage 35W Max 5000K	23, 30, 35	5000	3600, 4700, 5500	2875, 3750, 4375

ACCESSORIES

MODEL #	DESCRIPTION	USAGE
EB10	10W Emergency Battery Backup	Supplies battery backup to an individual fixture for up to 90 minutes. <u>Must be ordered with EBCM or EBAM indicator module.</u>
EBCM	Ceiling-mounted Indicator Module	In grid ceiling applications, this unit connects to the EB10 and is recess mounted in an adjacent panel where it displays the unit's current status of operation.
EBAM	Adhesive-mounted Indicator Module	In drywall/open ceiling applications, this unit connects to the EB10 and is mounted via adhesive, where it displays the unit's current status of operation.
RFAJBL-1	Large Retrofit Junction Box	Provides space for electrical wiring when needed



* Linear ambient lumens

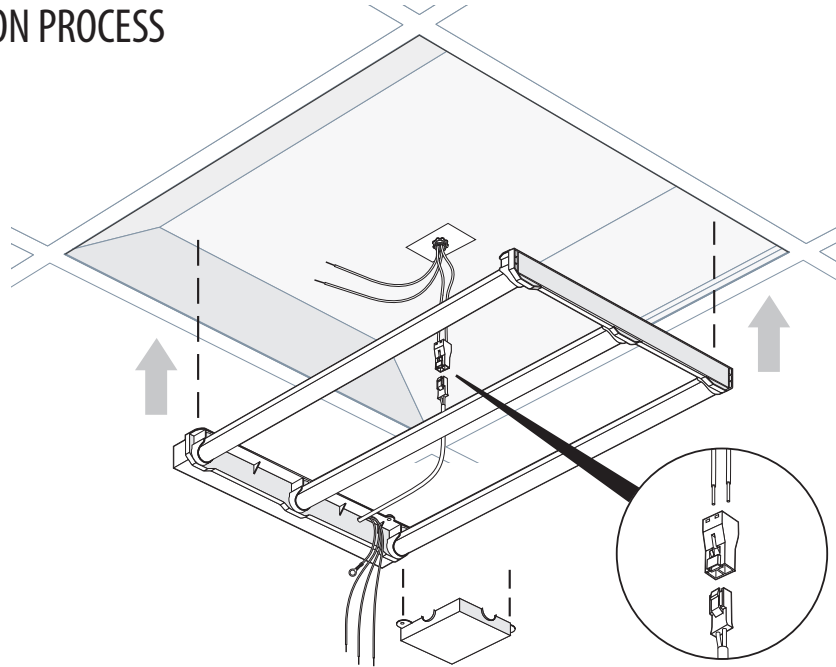
** Based on Photometric testing consistent with IES LM-79 testing; Lumens will vary based on diffuser and fixture.

LED MAGNETIC RETROFIT

WHAT COMES IN THE BOX

- LED Magnetic Retrofit
- Magnetic junction box
- 4 Self-tapping screws (#8 x 1/2")
- Retrofit labels
- 3 Wire nuts
- Installation instructions

INSTALLATION PROCESS



PRODUCT OVERVIEW

