

**PZ 50****Weidmüller Interface GmbH & Co. KG**

Klingenbergstraße 26

D-32758 Detmold

Germany

www.weidmueller.com

**Crimping tools for wire end ferrules, with and without plastic collars**

- Ratchet guarantees precise crimping
- Release option in the event of incorrect operation

**General ordering data**

Version	Pressing tool, Crimping tool for wire-end ferrules, 25mm <sup>2</sup> , 50mm <sup>2</sup> , Indent crimp
Order No.	<a href="#">9006450000</a>
Type	PZ 50
GTIN (EAN)	4008 190095796
Qty.	1 pc(s).

Creation date December 30, 2021 8:27:26 PM CET

Catalogue status 17.12.2021 / We reserve the right to make technical changes.

## PZ 50

Weidmüller Interface GmbH &amp; Co. KG

Klingenbergstraße 26

D-32758 Detmold

Germany

www.weidmueller.com

## Technical data

## Dimensions and weights

Width	250 mm	Width (inches)	9.842 inch
Weight	730 g	Net weight	595.3 g

## Environmental Product Compliance

REACH SVHC	Lead 7439-92-1
------------	----------------

## Technical data

Description of article	(1)Crimping tool	Version	Mechanical, without interchangeable inserts
------------------------	------------------	---------	---------------------------------------------

## Description of contact

Conductor cross-section, max. AWG	AWG 0	Conductor cross-section, min. AWG	AWG 4
Crimping range, max.	50 mm <sup>2</sup>	Crimping range, min.	25 mm <sup>2</sup>
Type of contact	Wire-end ferrules with/without plastic collars		

## tool data crimping

Crimping profile 1, min.	25 mm <sup>2</sup>	Crimping profile 2, min.	35 mm <sup>2</sup>
Crimping profile 3, min.	50 mm <sup>2</sup>	Crimping type/profile	Indent crimp
Wire end ferrules cross-section, max.	50 mm <sup>2</sup>	Wire end ferrules cross-section, min.	25 mm <sup>2</sup>

## Classifications

ETIM 6.0	EC000168	ETIM 7.0	EC000168
ETIM 8.0	EC000168	ECLASS 9.0	21-04-38-11
ECLASS 9.1	21-04-38-11	ECLASS 10.0	21-04-38-11
ECLASS 11.0	21-04-38-11		

## Approvals

Approvals



## Downloads

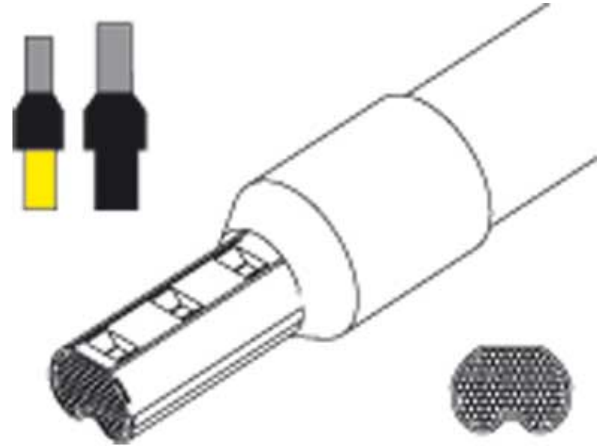
Engineering Data	<a href="#">CAD data – STEP</a>
Engineering Data	<a href="#">WSCAD</a>
User Documentation	<a href="#">Manual</a>
Catalogues	<a href="#">Catalogues in PDF-format</a>
Brochures	

**PZ 50**

**Weidmüller Interface GmbH & Co. KG**  
Klingenbergstraße 26  
D-32758 Detmold  
Germany

[www.weidmueller.com](http://www.weidmueller.com)

**Drawings**



**Example of use**

