

SE Relays

General Purpose Relays

Catalog
2021



| | |
|---|----|
| ■ Series Overview | 3 |
| ■ 792 Control Series | 4 |
| ■ 781R Series | 9 |
| ■ 782 Power Series | 13 |
| ■ 783 Series | 17 |
| ■ 784 Series | 21 |
| ■ 750R Series | 25 |
| ■ 788R Series | 29 |
| ■ 782H Hazardous Location Series | 33 |
| ■ 750H Hazardous Location Series | 37 |
| ■ UL Listed Relay/Socket Combinations | 41 |
| ■ Sockets | |
| □ Socket Specifications | 42 |
| □ Mounting Adapter Specifications | 66 |
| ■ Socket Accessories | |
| □ Overview | 67 |
| □ Hold-Down Clips | 68 |
| □ Insulated Coil Bus Jumper System | 71 |
| □ DIN Rail and DIN Clip | 71 |
| □ ID Tags | 71 |
| □ Panel Mount Adapter | 72 |
| ■ Socket Modules | 72 |
| ■ Application Data | 73 |
| ■ Website Guide | 74 |

Designed with specialized magnetic armatures and coils, our general purpose relays easily handle current loads ranging from 10–15 A. With multiple features, and a broad line of sockets and accessories, these relays offer options to improve design, speed up installation, and simplify testing of your application.

Key Features

- Socket, panel, and DIN mounting options
- Multiple features and contact configurations available
- Optional protection, mounting, and identification accessories
- Ideal choice for direct replacement in MRO applications (maintenance, repair, and operations)
- UL Class I Division 2 models for hazardous locations

| | Series | Features | Terminals | Contact Configuration | Output Current | Page |
|---|-------------|---------------------------|----------------|-----------------------|----------------|------|
|  | 792 Control | Plug-In Relay | Blade | DPDT and 4PDT | 3–12 A | 4 |
|  | 781R | Plug-In Relay | Blade | SPDT | 15 A | 9 |
|  | 782 Power | Plug-In Relay | Blade | DPDT | 15 A | 13 |
|  | 783 | Plug-In Relay | Blade | 3PDT | 15 A | 17 |
|  | 784 | Plug-In Relay | Blade | 4PDT | 15 A | 21 |
|  | 750R | Plug-In Relay | Octal (8 Pin) | DPDT | 10 A | 25 |
| | | | Octal (11 Pin) | 3PDT | 10 A | |
|  | 788R | Plug-In Relay | Blade | DPDT and 3PDT | 10 A | 29 |
|  | 782H | Hermetically Sealed Relay | Blade | 4PDT | 5 A | 33 |
| | | | | | 3 A | |
| | | | | | 1 A | |
|  | 750H | Hermetically Sealed Relay | Octal (8 Pin) | DPDT | 12 A | 37 |
| | | | Octal (11 Pin) | 3PDT | 12 A | |

Description

SE Relays General Purpose Relays

792 Control Series

DPDT 12 A; 4PDT 6 A and 3 A



UL Listed when used with corresponding sockets



792 Clear Cover



792 Full-Feature Cover

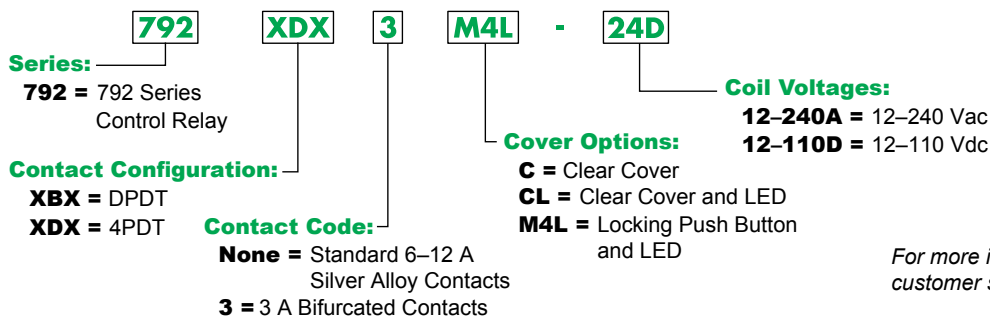
Description

The 792 plug-in control relays offer clear or full-feature covers with multiple mounting options and accessories. The 4PDT models save valuable space while adding increased functionality.

| Feature | Benefit |
|--------------------------------------|---|
| 12 A / 6 A / 3 A switching current | Ideal choice for various automation panels and controls |
| Clear or full-feature cover options | Full-feature covers include an LED indicator and a locking test button to facilitate maintenance and speed up commissioning |
| DPDT and 4PDT contact options | Simultaneous control of 2 or 4 separate circuits |
| Socket-mounting option | Simplified installation and maintenance; use of protection modules, hold-down clips, and other accessories |
| Gold-flashed contacts | Reduced contact oxidation and increased shelf life |
| Mechanical flag indicator (standard) | Display of the status of an unpowered relay during testing or operation |

| Contact Rating | Contact Configuration | Nominal Coil Voltage | Coil Resistance (Ω) | Contacts | Part Number | | |
|----------------|-----------------------|----------------------|---------------------|----------------------|----------------|----------------------|--------------------|
| | | | | | Clear Cover | Clear Cover with LED | Full-Feature Cover |
| 3 A | 4PDT | 12 Vac | 44 | Low-Level Bifurcated | 792XDX3C-12A | 792XDX3CL-12A | 792XDX3M4L-12A |
| | | 24 Vac | 177 | | 792XDX3C-24A | 792XDX3CL-24A | 792XDX3M4L-24A |
| | | 48 Vac | 708 | | 792XDX3C-48A | 792XDX3CL-48A | 792XDX3M4L-48A |
| | | 120 Vac | 3630 | | 792XDX3C-120A | 792XDX3CL-120A | 792XDX3M4L-120A |
| | | 240 Vac | 17720 | | 792XDX3C-240A | 792XDX3CL-240A | 792XDX3M4L-240A |
| | | 12 Vdc | 160 | | 792XDX3C-12D | 792XDX3CL-12D | 792XDX3M4L-12D |
| | | 24 Vdc | 640 | | 792XDX3C-24D | 792XDX3CL-24D | 792XDX3M4L-24D |
| | | 48 Vdc | 2560 | | 792XDX3C-48D | 792XDX3CL-48D | 792XDX3M4L-48D |
| | | 110 Vdc | 13440 | | 792XDX3C-110D | 792XDX3CL-110D | 792XDX3M4L-110D |
| | | 12 A | DPDT | | 12 Vac | 44 | Standard |
| 24 Vac | 177 | | | 792XBXC-24A | — | 792XBXM4L-24A | |
| 48 Vac | 708 | | | 792XBXC-48A | — | 792XBXM4L-48A | |
| 120 Vac | 3630 | | | 792XBXC-120A | — | 792XBXM4L-120A | |
| 240 Vac | 17720 | | | 792XBXC-240A | — | 792XBXM4L-240A | |
| 12 Vdc | 160 | | | 792XBXC-12D | — | 792XBXM4L-12D | |
| 24 Vdc | 640 | | | 792XBXC-24D | — | 792XBXM4L-24D | |
| 48 Vdc | 2560 | | | 792XBXC-48D | — | 792XBXM4L-48D | |
| 110 Vdc | 13440 | | | 792XBXC-110D | — | 792XBXM4L-110D | |
| 6 A | 4PDT | | | 12 Vac | 44 | Standard | |
| | | 24 Vac | 177 | 792XDXC-24A | 792XDXCCL-24A | | 792XDXM4L-24A |
| | | 48 Vac | 708 | 792XDXC-48A | 792XDXCCL-48A | | 792XDXM4L-48A |
| | | 120 Vac | 3630 | 792XDXC-120A | 792XDXCCL-120A | | 792XDXM4L-120A |
| | | 240 Vac | 17720 | 792XDXC-240A | 792XDXCCL-240A | | 792XDXM4L-240A |
| | | 12 Vdc | 160 | 792XDXC-12D | 792XDXCCL-12D | | 792XDXM4L-12D |
| | | 24 Vdc | 640 | 792XDXC-24D | 792XDXCCL-24D | | 792XDXM4L-24D |
| | | 48 Vdc | 2560 | 792XDXC-48D | 792XDXCCL-48D | | 792XDXM4L-48D |
| | | 110 Vdc | 13440 | 792XDXC-110D | 792XDXCCL-110D | | 792XDXM4L-110D |

Part Number Explanation



For more information, contact customer service (1-847-441-2540).

Specifications

| Part Number | | 792XBX |
|--|-------------------------------|--|
| Contact Characteristics | | |
| Terminal Style | | Blade |
| Contact Material | | Silver Alloy |
| Contact Configuration | | DPDT |
| Carrying Current | | 12 A |
| Maximum Switching Voltage | | IEC: 250 Vac / 28 Vdc UL/CSA: 300 Vac / 30 Vdc |
| Rated Switching Current (Conforming to IEC AC-1 and DC-1) | | N.O.: 12 A at 250 Vac, N.C.: 6 A at 250 Vac N.O.: 12 A at 28 Vdc, N.C.: 6 A at 28 Vdc |
| Rated Switching Current (Conforming to UL) | Resistive | 12 A at 277 Vac, 100 k cycles 12 A at 120 Vac, 200 k cycles 12 A at 30 Vdc, 100 k cycles |
| | Motor | 1/2 hp at 120 Vac, 6 k cycles 1 hp at 277 Vac, 6 k cycles |
| | B300 Pilot Duty | 6 k cycles |
| Minimum Switching Requirement | | 10 mA at 17 Vdc |
| Coil Characteristics | | |
| Maximum Operating Voltage | | 110% (AC/DC) |
| Maximum Pickup Voltage | | 80% (AC/DC) |
| Drop-out Voltage Threshold | | 15% (AC); 10% (DC) |
| Average Consumption | | 0.9–1.2 VA (AC); 0.8–1.1 W (DC) |
| General Characteristics | | |
| Electrical Life at Rated Load | | 200,000 operations (where stated) |
| Mechanical Life (Unpowered) | | 10,000,000 operations |
| Operating Time | | 25 ms max. at 80% rated coil voltage 20 ms max. at 100% rated coil voltage |
| Release Time | | 20 ms max. (DC) 35 ms max. (AC) |
| Impulse Withstand Voltage | | 4 kV (1.2 / 50 μs) |
| Dielectric Strength | Between Coil and Contact (AC) | 2000 V (rms) |
| | Between Poles (AC) | 2000 V (rms) |
| | Between Contacts (AC) | 1300 V (rms) |
| Ambient Air Temperature Around the Device | Storage | –40 to +85 °C (–40 to +185 °F) |
| | Operation | –40 to +55 °C (–40 to +131 °F) |
| Vibration Resistance | In Operation | 3 gn at 35–150 Hz |
| | Not Operating | 5 gn at 35–150 Hz |
| Shock Resistance | In Operation | 10 gn |
| | Not Operating | 30 gn |
| Degree of Protection (Housing Only) | | IP40 |
| Weight | | 37 g (1.31 oz) |
| Agency Approvals | | UL with socket, UR (E164862), CE, CSA (LR44087), RoHS |

Note: Actual product performance may vary depending on the application and environmental conditions.

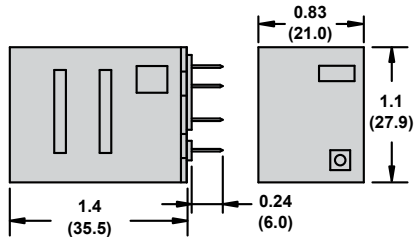
Specifications (continued)

| Part Number | | 792XDX | 792XDX3 |
|--|-------------------------------|---|---|
| Contact Characteristics | | | |
| Terminal Style | | Blade | Blade |
| Contact Material | | Silver Alloy | Bifurcated |
| Contact Configuration | | 4PDT | 4PDT |
| Carrying Current | | 6 A | 3 A |
| Load Type | | Standard | Low Level |
| Maximum Switching Voltage | | 300 V | 300 V |
| Rated Switching Current (Conforming to IEC AC1 and DC1) | 250 Vac | N.O.: 6 A; N.C.: 3 A | N.O.: 2 A; N.C.: 1 A |
| | 28 Vdc | N.O.: 6 A; N.C.: 3 A | N.O.: 2 A; N.C.: 1 A |
| Switching Current (Conforming to UL) | General Purpose | — | 3 A at 240–277 Vac 3 A at 120 Vac |
| | Resistive | 6 A at 277 Vac, 200 k cycles 8 A at 120 Vac, 200 k cycles 8 A at 30 Vdc, 200 k cycles | 3 A at 30 Vdc |
| | Motor | 1/3 hp at 120 Vac, 6 k cycles 1/2 hp at 277 Vac, 6 k cycles | 1/16 hp (2.8 A FLA) at 120 Vac |
| | Pilot Duty | B300, 6 k cycles | 5 A make, 0.5 A break, 3 A continuous at 120 Vac |
| Minimum Switching Requirement | | 10 mA at 17 Vdc | 3 mA at 5 Vdc |
| Coil Characteristics | | | |
| Maximum Operating Voltage | | 110% (AC/DC) | |
| Maximum Pickup Voltage | | 80% (AC/DC) | |
| Drop-out Voltage Threshold | | 15% (AC); 10% (DC) | |
| Average Consumption | | 0.9–1.2 VA (AC); 0.8–1.1 W (DC) | |
| General Characteristics | | | |
| Electrical Life at Rated Load | | 200,000 operations (where stated) | 100,000 operations (general purpose load) |
| Mechanical Life (Unpowered) | | 10,000,000 operations | |
| Operating Time | | 25 ms max. at 80% rated coil voltage 20 ms max. at 100% rated coil voltage | |
| Release Time | | DC: 20 ms max. AC: 35 ms max. | |
| Impulse Withstand Voltage | | 2.5 kV (1.2 / 50 µs) | |
| Dielectric Strength | Between Coil and Contact (AC) | 2000 V (rms) | |
| | Between Poles (AC) | 1600 V (rms) | |
| | Between Contacts (AC) | 1300 V (rms) | |
| Ambient Air Temperature Around the Device | Storage | –40 to +85 °C (–40 to +185 °F) | |
| | Operation | –40 to +55 °C (–40 to +131 °F) | |
| Vibration Resistance | In Operation | 3 gn at 35–150 Hz | |
| | Not Operating | 5 gn at 35–150 Hz | |
| Shock Resistance | In Operation | 10 gn | |
| | Not Operating | 30 gn | |
| Degree of Protection (Housing Only) | | IP40 | |
| Weight | | 37 g (1.31 oz) | |
| Agency Approvals | | UL with socket, UR (E164862), CE, CSA (LR44087), RoHS | |

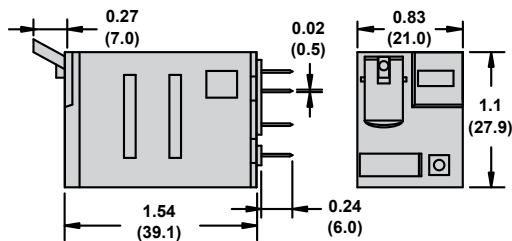
Note: Actual product performance may vary depending on the application and environmental conditions.

Dimensions, in. (mm)

Clear Cover Dimension

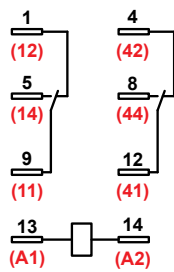


Full-Feature Cover Dimension



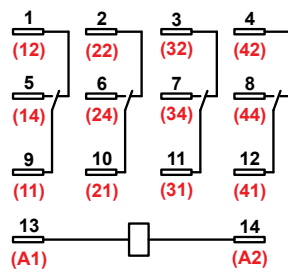
Wiring Diagrams

DPDT

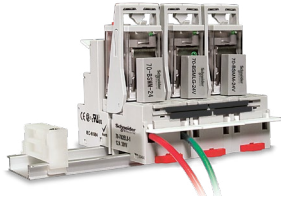


NEMA
(IEC)

4PDT



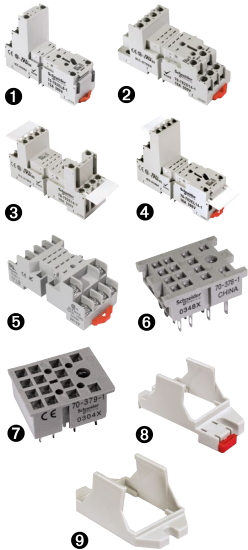
NEMA
(IEC)



Description

Optional sockets offer customizable solutions including protection modules, hold-down clips, and ID tags. Sockets are finger-safe according to IP20, and compatible with DIN rail or panel mounting.

Relay Accessories



| Description | Function | For Use with Relays | Pkg. Min. | Standard Part Number |
|-------------|--|---------------------|-----------|----------------------|
| Socket 1 | DIN or panel mounting with elevator terminals | 792XBX | 10 | 70-782EL8-1 |
| Socket 2 | DIN or panel mounting with screw terminals and clamping plates | 792XBX / 792XDX | 10 | 70-782D14-1 |
| Socket 3 | DIN or panel mounting with rising elevator box terminals | | 10 | 70-782E14-1 |
| Socket 4 | DIN or panel mounting with elevator terminals | | 10 | 70-782EL14-1 |
| Socket 5 | DIN or panel mounting with screw terminals and clamping plates | | 10 | 70-461-1 |
| Socket 6 | Solder terminals for chassis mounting | 792XDX | 10 | 70-378-1 |
| Socket 7 | Printed circuit terminals for PCB mounting | | 10 | 70-379-1 |
| Adapter 8 | Direct DIN rail mounting | 792XBX / 792XDX | 10 | 16-782C |
| Adapter 9 | Direct panel mounting | | 10 | 16-782C1 |

Socket Accessories



| Description | Function | For Use with Sockets | Coil Voltage | Pkg. Min. | Standard Part Number |
|---|--|---|--------------|-----------|----------------------|
| Metal Spring Clip 1 | Securing the relay in the socket | 70-782D14-1, 70-782E14-1, 70-782EL14-1, 70-782EL8-1 | — | 10 | 16-782SC |
| Plastic Hold-Down Clip 2 | Securing the relay in the socket or ejecting the relay from the socket | | — | 10 | 16-782PC-1 |
| Write-on Tag 3 | Small write-on tag | | — | 10 | 16-782FT-1 |
| Write-on Tag 4 | Write-on tag for the 16-782PC-1 hold-down clip | — | — | 10 | 16-700ST-1 |
| Extruded Aluminum DIN Rail, 1 m (39.37 in.) 5 | Quick installation and removal of sockets | 70-782D14-1, 70-782E14-1, 70-782EL8-1, 70-782EL14-1 | — | 10 | 16-700DIN |
| DIN Rail End Clip 6 | Holding the sockets firmly in place on a DIN rail | — | — | 10 | 16-DCLIP-1 |
| Insulated Coil Bus Jumper System 7 | Wireless socket connection | 70-782EL8-1, 70-782EL14-1 | — | 10 | 16-782CBJ-1 |
| Small Socket Modules | | | | | |
| Protection Diode | Protecting the external drive circuitry from inductive voltages | 70-782D14-1, 70-782E14-1, 70-782EL14-1, 70-782EL8-1 | 6–250 Vdc | 10 | 70-BSMD-250 |
| LED Indicator 7 | Providing coil status at a glance | | 24 Vac/Vdc | 10 | 70-BSMLG-24 |
| MOV Suppressor | Protection from damaging electrical spikes | | 120 Vac/Vdc | 10 | 70-BSMM-120 |
| | | | 24 Vac/Vdc | 10 | 70-BSMM-24 |
| | | | 240 Vac/Vdc | 10 | 70-BSMM-240 |

Note: Using an LED socket module can increase the coil power draw by up to 10%.

Description

SE Relays General Purpose Relays

781R Series

SPDT 15 A



UL Listed when used with corresponding sockets



781R Clear Cover



781R Full-Feature Cover

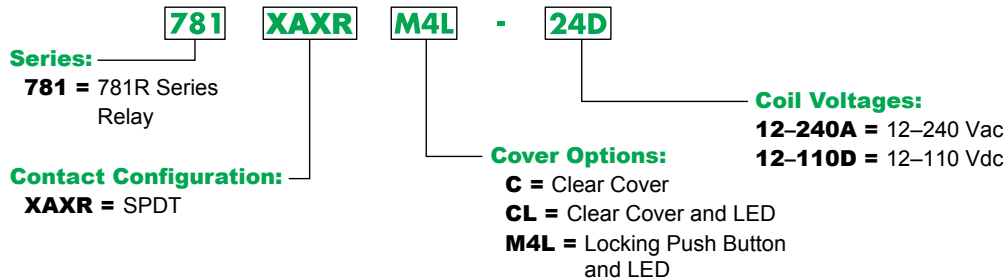
Description

The 781R Series plug-in relays offer clear or full-feature covers with multiple mounting options and accessories.

| Feature | Benefit |
|--------------------------------------|--|
| 15 A max. switching current | Ideal choice for automation control panels |
| 14 mm width | Slim design to save valuable space |
| Clear or full-feature cover options | Full-feature covers include an LED indicator and a locking test button |
| Socket-mounting option | Simplified installation and maintenance; use of protection modules, hold-down clips, and other accessories |
| Gold-flashed contacts | Reduced contact oxidation and increased shelf life |
| Mechanical flag indicator (standard) | Display of the relay status during testing or operation |

| Contact Rating | Contact Configuration | Nominal Voltage | Coil Resistance (Ω) | Standard Part Number | | |
|----------------|-----------------------|-------------------|---------------------|----------------------|----------------------|-----------------|
| | | | | Clear Cover | Clear Cover with LED | Full-Feature |
| 15 A | SPDT | 12 Vac, 50/60 Hz | 44 | 781XAXRC-12A | 781XAXRCL-12A | 781XAXRM4L-12A |
| | | 24 Vac, 50/60 Hz | 177 | 781XAXRC-24A | 781XAXRCL-24A | 781XAXRM4L-24A |
| | | 48 Vac, 50/60 Hz | 708 | 781XAXRC-48A | 781XAXRCL-48A | 781XAXRM4L-48A |
| | | 120 Vac, 50/60 Hz | 4,430 | 781XAXRC-120A | 781XAXRCL-120A | 781XAXRM4L-120A |
| | | 240 Vac, 50/60 Hz | 17,720 | 781XAXRC-240A | 781XAXRCL-240A | 781XAXRM4L-240A |
| | | 12 Vdc | 115 | 781XAXRC-12D | 781XAXRCL-12D | 781XAXRM4L-12D |
| | | 24 Vdc | 450 | 781XAXRC-24D | 781XAXRCL-24D | 781XAXRM4L-24D |
| | | 48 Vdc | 1,800 | 781XAXRC-48D | 781XAXRCL-48D | 781XAXRM4L-48D |
| | 110 Vdc | 9,460 | 781XAXRC-110D | 781XAXRCL-110D | 781XAXRM4L-110D | |

Part Number Explanation



For more information, contact customer service (1-847-441-2540).

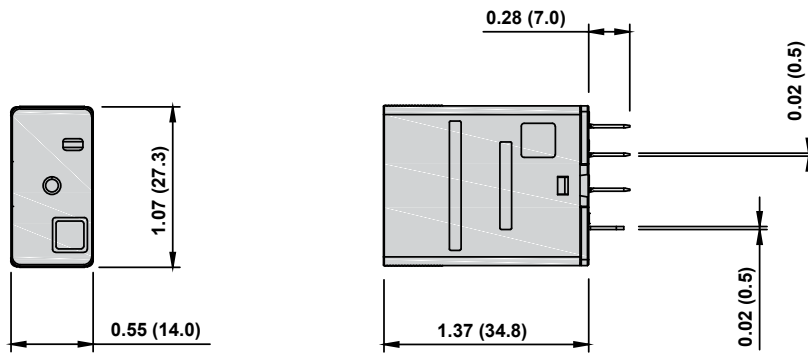
Specifications

| Part Number | | 781XAXR |
|---|-------------------------------|--|
| Contact Characteristics | | |
| Terminal Style | | Blade |
| Contact Material | | Silver Alloy |
| Contact Configuration | | SPDT |
| Carrying Current | | 15 A |
| Maximum Switching Voltage | | IEC: 250 Vac / 28 Vdc UL/CSA: 300 Vac / 28 Vdc |
| Rated Switching Current at Voltage (Conforming to IEC AC-1 and DC-1) | at 250 Vac | N.O.: 15 A; N.C.: 7.5 A |
| | at 28 Vdc | N.O.: 15 A; N.C.: 7.5 A |
| Rated Switching Current at Voltage (Conforming to UL) | Resistive | 15 A at 277 Vac, 50/60 Hz, 100 k cycles 15 A at 28 Vdc, 100 k cycles |
| | Motor | 1/2 hp at 120 Vac, 1 k cycles 1 hp at 277 Vac, 1 k cycles |
| | Pilot Duty | B300 |
| Rated Switching Current at Voltage (Conforming to CSA) | Resistive | 15 A at 150 Vac, 50/60 Hz, 100 k cycles 10 A at 277 Vdc, 100 k cycles 15 A at 28 Vdc, 100 k cycles |
| | Motor | 1/2 hp at 120 Vac, 1 k cycles 1 hp at 277 Vac, 1 k cycles |
| | Pilot Duty | B300 |
| Minimum Switching Requirement | | 10 mA at 17 Vdc |
| Coil Characteristics | | |
| Maximum Operating Voltage | | 110% (AC/DC) |
| Maximum Pickup Voltage | | 85% (AC/DC) |
| Drop-out Voltage Threshold | | 15% (AC); 10% (DC) |
| Average Consumption | | Standard: 1.6 VA (AC); 1.1 W (DC) With LED: 1.9 VA (AC); 1.4 W (DC) |
| General Characteristics | | |
| Electrical Life at Rated Load | | 100,000 operations |
| Mechanical Life (Unpowered) | | 10,000,000 operations |
| Operating Time (Response Time) | | 20 ms |
| Dielectric Strength | Between Coil and Contact (AC) | 2000 V (rms) |
| | Between Poles (AC) | 2000 V (rms) |
| | Between Contacts (AC) | 1500 V (rms) |
| Ambient Air Temperature Around the Device | Storage | -40 to +85 °C (-40 to +185 °F) |
| | Operation | -40 to +55 °C (-40 to +131 °F) |
| Vibration Resistance—In Operation | | ±1 mm (10–35 Hz) and 3 gn (35–150 Hz) |
| Shock Resistance | | 15 gn |
| Degree of Protection (Housing Only) | | IP40 |
| Weight | | 29 g (1.02 oz) |
| Agency Approvals | | UL with socket, UR (E164862), CE, CSA (LR44087), RoHS |

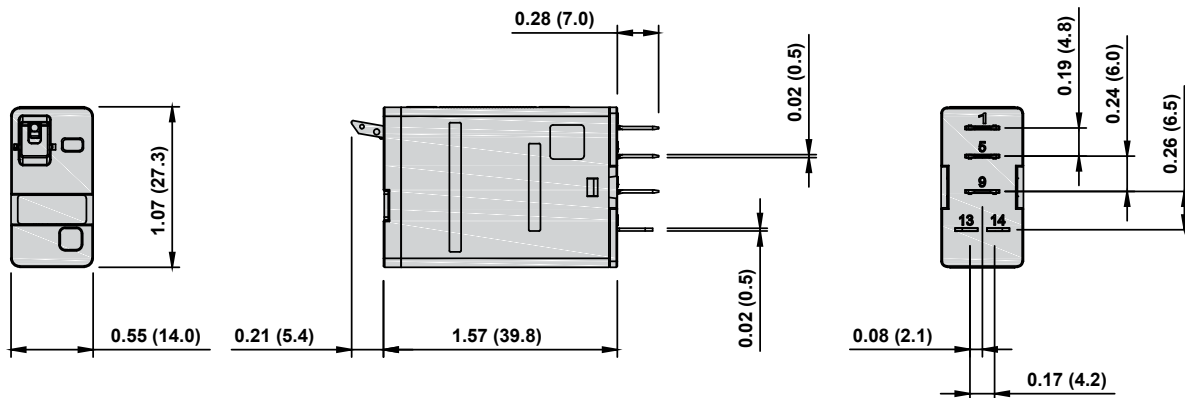
Note: Actual product performance may vary depending on the application and environmental conditions.

Dimensions, in. (mm)

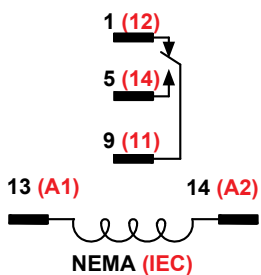
Clear Cover Dimensions

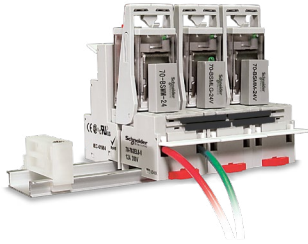


Full-Feature Cover Dimensions



Wiring Diagram

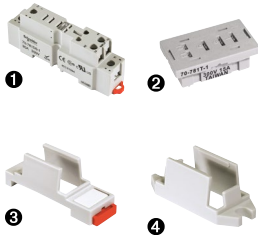




Description

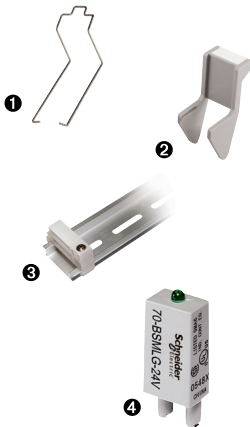
Optional sockets offer customizable solutions including protection modules, hold-down clips, and ID tags. Sockets are finger-safe according to IP20, and compatible with DIN rail or panel mounting.

Relay Accessories



| Description | Function | For Use with Relays | Pkg. Min. | Standard Part Number |
|-------------|--|---------------------|-----------|----------------------|
| Socket 1 | DIN or panel mounting with screw terminals and clamping plates | 781XAXR | 10 | 70-781D5R-1A |
| Socket 2 | PCB mounting | | 10 | 70-781T-1 |
| Adapter 3 | Direct DIN rail mounting | | 10 | 16-781C |
| Adapter 4 | Direct panel mounting | | 10 | 16-781C1 |

Socket Accessories



| Description | Function | For Use with Sockets | Coil Voltage | Pkg. Min. | Standard Part Number |
|---|---|-------------------------|--------------|-----------|----------------------|
| Metal Spring Clip 1 | Securing the relay in the socket | 70-781D5R-1A, 70-781T-1 | — | 10 | 16-781SC |
| Plastic ID Hold-Down Clip 2 | Securing the relay in the socket and providing labeling | 70-781D5R-1A | — | 10 | 16-781IDC |
| Extruded Aluminum DIN Rail, 1 m (39.37 in.) 3 | Quick installation and removal of sockets | | — | 10 | 16-700DIN |
| DIN Rail End Clip 4 | Holding the sockets firmly in place on a DIN rail | — | — | 10 | 16-DCLIP-1 |
| Small Socket Modules | | | | | |
| Protection Diode | Protecting the external drive circuitry from inductive voltages | 70-781D5R-1A | 6–250 Vdc | 10 | 70-BSMD-250 |
| LED Indicator 4 | Providing coil status at a glance | | 24 Vac/Vdc | 10 | 70-BSMLG-24 |
| MOV Suppressor | Protection from damaging electrical spikes | | 120 Vac/Vdc | 10 | 70-BSMM-120 |
| | | | 24 Vac/Vdc | 10 | 70-BSMM-24 |
| | | | 240 Vac/Vdc | 10 | 70-BSMM-240 |

Note: Using an LED socket module can increase the coil power draw by up to 10%.

Description

SE Relays General Purpose Relays

782 Power Series

DPDT 15 A



UL Listed when used with corresponding sockets



782 Clear Cover



782 Full-Feature Cover

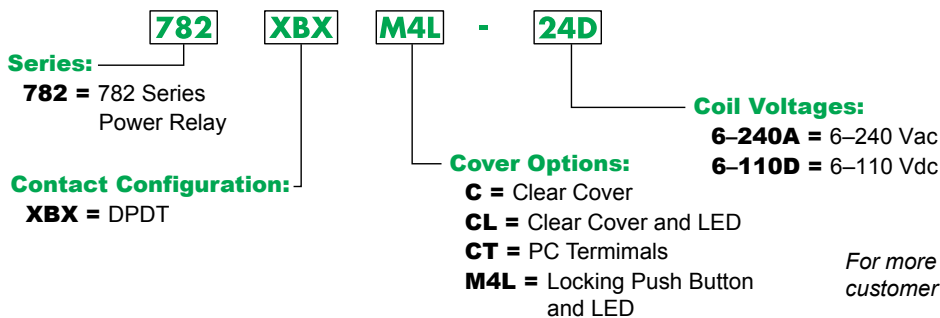
Description

The 782 plug-in power relays offer clear or full-feature covers with multiple mounting options and accessories.

| Feature | Benefit |
|--------------------------------------|--|
| 15 A switching current | Ideal choice for automation control panels |
| Clear or full-feature cover options | Full-feature covers include an LED indicator and a locking test button |
| Socket-mounting option | Simplified installation and maintenance; use of protection modules, hold-down clips, and other accessories |
| Gold-flashed contacts | Reduced contact oxidation and increased shelf life |
| Mechanical flag indicator (standard) | Display of the relay status during testing or operation |

| Contact Rating | Contact Configuration | Nominal Voltage | Coil Resistance (Ω) | Standard Part Number | | | |
|----------------|-----------------------|-------------------|---------------------|----------------------|----------------------|--------------|----------------|
| | | | | Clear Cover | Clear Cover with LED | PC Mount | Full-Feature |
| 15 A | DPDT | 6 Vac, 50/60 Hz | 11 | — | — | 782XBXC-6A | — |
| | | 12 Vac, 50/60 Hz | 44 | 782XBXC-12A | 782XBXCL-12A | 782XBXC-12A | 782XBXM4L-12A |
| | | 24 Vac, 50/60 Hz | 177 | 782XBXC-24A | 782XBXCL-24A | 782XBXC-24A | 782XBXM4L-24A |
| | | 48 Vac, 50/60 Hz | 708 | 782XBXC-48A | 782XBXCL-48A | 782XBXC-48A | 782XBXM4L-48A |
| | | 120 Vac, 50/60 Hz | 4430 | 782XBXC-120A | 782XBXCL-120A | 782XBXC-120A | 782XBXM4L-120A |
| | | 240 Vac, 50/60 Hz | 17720 | 782XBXC-240A | 782XBXCL-240A | 782XBXC-240A | 782XBXM4L-240A |
| | | 6 Vdc | 40 | — | — | 782XBXC-6D | — |
| | | 12 Vdc | 160 | 782XBXC-12D | 782XBXCL-12D | 782XBXC-12D | 782XBXM4L-12D |
| | | 24 Vdc | 640 | 782XBXC-24D | 782XBXCL-24D | 782XBXC-24D | 782XBXM4L-24D |
| | | 48 Vdc | 2560 | 782XBXC-48D | 782XBXCL-48D | 782XBXC-48D | 782XBXM4L-48D |
| 110 Vdc | 13440 | 782XBXC-110D | 782XBXCL-110D | 782XBXC-110D | 782XBXM4L-110D | | |

Part Number Explanation



For more information, contact customer service (1-847-441-2540).

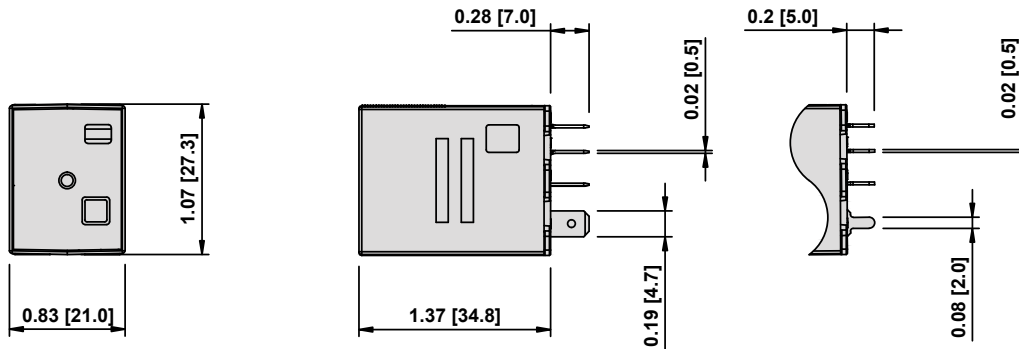
Specifications

| Part Number | | 782XBXC / CL / M4L | 782XBXCT |
|---|-------------------------------|--|------------------------------------|
| Contact Characteristics | | | |
| Terminal Style | | Blade | PC Terminals |
| Contact Material | | Silver Alloy | |
| Contact Configuration | | DPDT | |
| Carrying Current | | 15 A | |
| Maximum Switching Voltage | | IEC: 250 Vac / 28 Vdc UL/CSA: 300 Vac / 28 Vdc | |
| Rated Switching Current at Voltage (Conforming to IEC AC-1 and DC-1) | at 250 Vac | N.O.: 15 A; N.C.: 7.5 A | |
| | at 28 Vdc | N.O.: 15 A; N.C.: 7.5 A | |
| Rated Switching Current at Voltage (Conforming to UL) | Resistive | 15 A at 277 Vac, 50/60 Hz, 100 k cycles 15 A at 28 Vdc, 100 k cycles | |
| | Motor | 1/2 hp at 120 Vac, 1 k cycles 1 hp at 277 Vac, 1 k cycles | |
| | Pilot Duty | B300 | |
| Rated Switching Current at Voltage (Conforming to CSA) | Resistive | 15 A at 150 Vac, 50/60 Hz, 100 k cycles 10 A at 277 Vac, 50/60 Hz, 100 k cycles 15 A at 28 Vdc, 100 k cycles | |
| | Motor | 1/2 hp at 120 Vac, 1 k cycles 1 hp at 277 Vac, 1 k cycles | |
| | Pilot Duty | B300 | |
| Minimum Switching Requirement | | 10 mA at 17 Vdc | |
| Coil Characteristics | | | |
| Maximum Operating Voltage | | 110% (AC/DC) | |
| Maximum Pickup Voltage | | 85% (AC); 80% (DC) | |
| Drop-out Voltage Threshold | | 15% (AC); 10% (DC) | |
| Average Consumption | | Standard: 1.1 VA (AC); 0.85 W (DC) With LED: 1.4 VA (AC); 1.15 W (DC) | Standard: 1.1 VA (AC); 0.85 W (DC) |
| General Characteristics | | | |
| Electrical Life at Rated Load | | 100,000 operations | |
| Mechanical Life (Unpowered) | | 10,000,000 operations | |
| Operating Time (Response Time) | | 20 ms | |
| Dielectric Strength | Between Coil and Contact (AC) | 2000 V (rms) | |
| | Between Poles (AC) | 2000 V (rms) | |
| | Between Contacts (AC) | 1500 V (rms) | |
| Ambient Air Temperature Around the Device | Storage | -40 to +85 °C (-40 to +185 °F) | |
| | Operation | -40 to +55 °C (-40 to +131 °F) | |
| Vibration Resistance—In Operation | | ±1 mm (10–35 Hz) and 3 gn (35–150 Hz) | |
| Shock Resistance | | 15 gn | |
| Degree of Protection (Housing Only) | | IP40 | |
| Weight | | 36 g (1.27 oz) | |
| Agency Approvals | | UL with socket, UR (E164862), CE, CSA (LR44087), RoHS | |

Note: Actual product performance may vary depending on the application and environmental conditions.

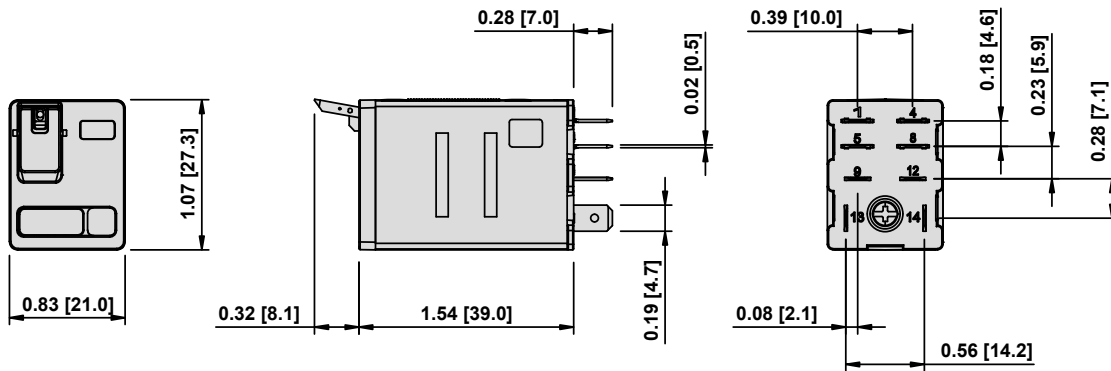
Dimensions, in. (mm)

Clear Cover Dimensions

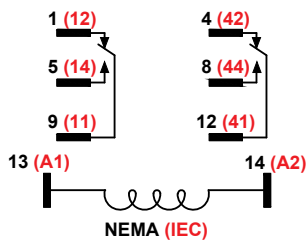


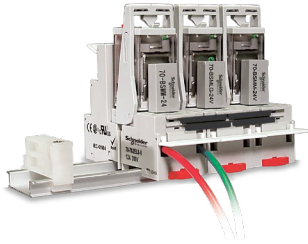
PC Terminals Dimensions

Full-Feature Cover Dimensions



Wiring Diagram

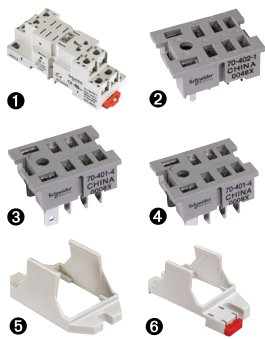




Description

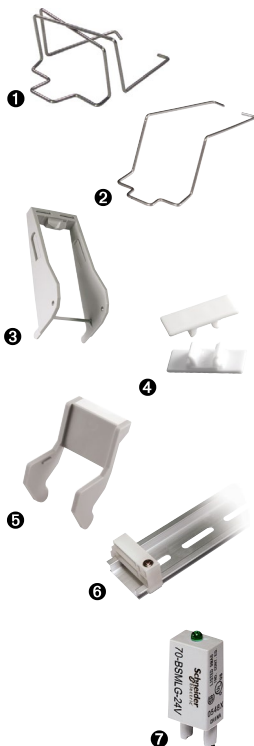
Optional sockets offer customizable solutions including protection modules, hold-down clips, and ID tags. Sockets are finger-safe according to IP20, and compatible with DIN rail or panel mounting.

Relay Accessories



| Description | Function | For Use with Relays | Pkg. Min. | Standard Part Number |
|-------------|--|---------------------|-----------|----------------------|
| Socket 1 | DIN or panel mounting with screw terminals and clamping plates | 782XBX | 10 | 70-782D8-1A |
| Socket 2 | DIN or panel mounting with screw terminals and clamping plates | | 10 | 70-459-1 |
| Socket 3 | Quick Connect terminals for chassis mounting | | 10 | 70-401-1 |
| Socket 4 | Printed circuit terminals for PCB mounting | | 10 | 70-402-1 |
| Adapter 5 | Direct panel mounting | | 10 | 16-782C1 |
| Adapter 6 | Direct DIN rail mounting | | 10 | 16-782C |

Socket Accessories



| Description | Function | For Use with Sockets | Coil Voltage | Pkg. Min. | Standard Part Number |
|---|---|---|--------------|-----------|----------------------|
| Metal Spring Clip 1 2 | Securing the relay in the socket | 70-782D8-1A, 70-459-1, 70-401-1, 70-402-1 | — | 10 | 16-1342 |
| Plastic Hold-Down Clip 3 | Securing the relay in the socket, or ejecting the relay from the socket | 70-782D8-1A | — | 10 | 16-782PC-1 |
| Write-on Tag 4 | Write-on tag for the 16-782PC-1 hold-down clip | — | — | 10 | 16-700ST-1 |
| Plastic ID Hold-Down Clip 5 | Securing the relay in the socket and providing labeling | 70-782D8-1A, 70-459-1, 70-401-1, 70-402-1 | — | 10 | 16-782IDC |
| Extruded Aluminum DIN Rail, 1 m (39.37 in.) 6 | Quick installation and removal of sockets | 70-782D8-1A, 70-459-1 | — | 10 | 16-700DIN |
| DIN Rail End Clip 6 | Holding the sockets firmly in place on a DIN rail | | — | 10 | 16-DCLIP-1 |
| Small Socket Modules | | | | | |
| Protection Diode | Protecting the external drive circuitry from inductive voltages | 70-782D8-1A | 6–250 Vdc | 10 | 70-BSMD-250 |
| LED Indicator 7 | Providing coil status at a glance | | 24 Vac/Vdc | 10 | 70-BSMLG-24 |
| MOV Suppressor | Protection from damaging electrical spikes | | 120 Vac/Vdc | 10 | 70-BSMM-120 |
| | | | 24 Vac/Vdc | 10 | 70-BSMM-24 |
| | | | 240 Vac/Vdc | 10 | 70-BSMM-240 |

Note: Using an LED socket module can increase the coil power draw by up to 10%.

Description

SE Relays General Purpose Relays

783 Series

3PDT 15 A



UL Listed when used with corresponding sockets

Description

The 783 Series plug-in relays offer clear or full-feature covers with multiple mounting options and accessories.



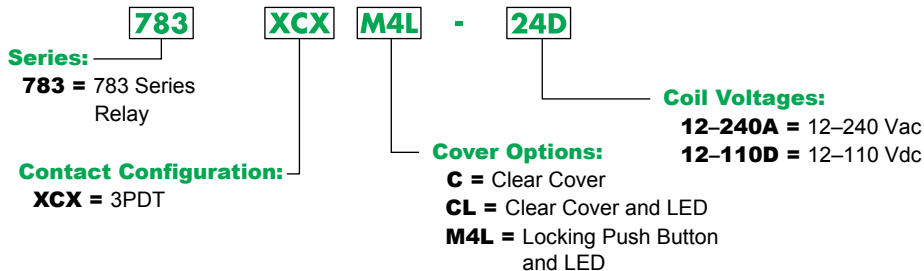
783 Clear Cover

783 Full-Feature Cover

| Feature | Benefit |
|--------------------------------------|--|
| 15 A max. switching current | Ideal choice for automation panels and controls |
| Clear or full-feature cover options | Full-feature covers include an LED indicator and a locking test button |
| 3PDT contact configuration | Simultaneous control of up to three separate circuits |
| Socket-mounting option | Simplified installation and maintenance; use of protection modules, hold-down clips, and other accessories |
| Gold-flashed contacts | Reduced contact oxidation and increased shelf life |
| Mechanical flag indicator (standard) | Display of the relay status during testing or operation |

| Contact Rating | Contact Configuration | Nominal Voltage | Coil Resistance (Ω) | Standard Part Number | | |
|----------------|-----------------------|-------------------|---------------------|----------------------|----------------------|----------------|
| | | | | Clear Cover | Clear Cover with LED | Full-Feature |
| 15 A | 3PDT | 12 Vac, 50/60 Hz | 30 | 783XCXC-12A | 783XCXCL-12A | 783XCXM4L-12A |
| | | 24 Vac, 50/60 Hz | 110 | 783XCXC-24A | 783XCXCL-24A | 783XCXM4L-24A |
| | | 48 Vac, 50/60 Hz | 460 | 783XCXC-48A | 783XCXCL-48A | 783XCXM4L-48A |
| | | 120 Vac, 50/60 Hz | 2,880 | 783XCXC-120A | 783XCXCL-120A | 783XCXM4L-120A |
| | | 240 Vac, 50/60 Hz | 11,300 | 783XCXC-240A | 783XCXCL-240A | 783XCXM4L-240A |
| | | 12 Vdc | 80 | 783XCXC-12D | 783XCXCL-12D | 783XCXM4L-12D |
| | | 24 Vdc | 320 | 783XCXC-24D | 783XCXCL-24D | 783XCXM4L-24D |
| | | 48 Vdc | 1,280 | 783XCXC-48D | 783XCXCL-48D | 783XCXM4L-48D |
| | | 110 Vdc | 6,720 | 783XCXC-110D | 783XCXCL-110D | 783XCXM4L-110D |

Part Number Explanation



For more information, contact customer service (1-847-441-2540).

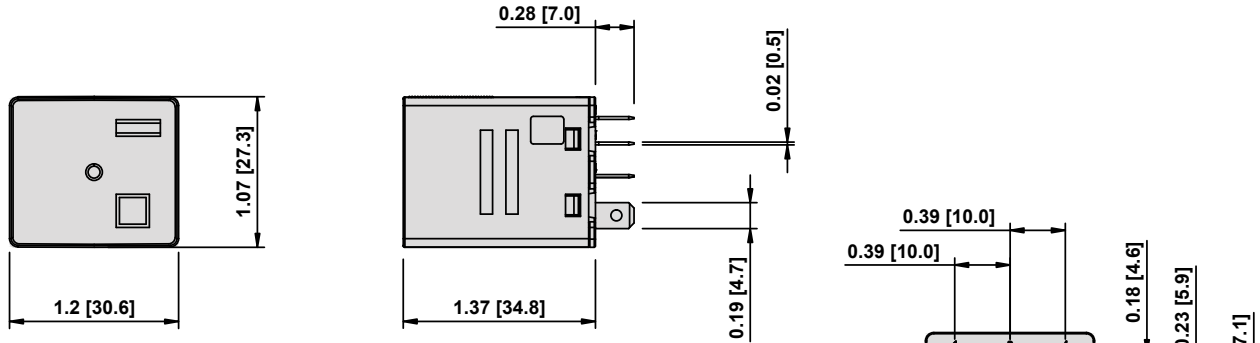
Specifications

| Part Number | | 783XCX |
|---|-------------------------------|---|
| Contact Characteristics | | |
| Terminal Style | | Blade |
| Contact Material | | Silver Alloy |
| Contact Configuration | | 3PDT |
| Carrying Current per Pole | | 15 A |
| Maximum Switching Voltage | | IEC: 250 Vac / 28 Vdc UL/CSA: 300 Vac / 28 Vdc |
| Rated Switching Current— Conforming to IEC AC-1 and DC-1 | at 250 Vac | N.O.: 15 A; N.C.: 7.5 A |
| | at 28 Vdc | N.O.: 15 A; N.C.: 7.5 A |
| Rated Switching Current— Conforming to UL | Resistive | 15 A at 277 Vac, 50/60 Hz, 100 k cycles 15 A at 28 Vdc, 100 k cycles |
| | Motor | 1/2 hp at 120 Vac, 1 k cycles 1 hp at 277 Vac, 1 k cycles |
| | Pilot Duty | B300 |
| Rated Switching Current— Conforming to CSA | Resistive | 15 A at 150 Vac, 50/60 Hz, 100 k cycles, 30 A max. total 10 A at 277 Vac, 50/60 Hz, 100 k cycles, 20 A max. total 15 A at 28 Vdc, 100 k cycles, 30 A max. total |
| | Motor | 1/2 hp at 120 Vac, 1 k cycles 1 hp at 277 Vac, 1 k cycles, 2 hp max. total |
| | Pilot Duty | B300 |
| Minimum Switching Requirement | | 10 mA at 17 Vdc |
| Coil Characteristics | | |
| Maximum Operating Voltage | | 110% (AC/DC) |
| Maximum Pickup Voltage | | 85% (AC); 80% (DC) |
| Drop-out Voltage Threshold | | 15% (AC); 10% (DC) |
| Average Consumption | | Standard: 1.7 VA (AC); 1.5 W (DC) With LED: 2.05 VA (AC); 1.85 W (DC) |
| General Characteristics | | |
| Electrical Life at Rated Load | | 100,000 operations |
| Mechanical Life (Unpowered) | | 10,000,000 operations |
| Operating Time | | 20 ms |
| Dielectric Strength | Between Coil and Contact (AC) | 2000 V (rms) |
| | Between Poles (AC) | 2000 V (rms) |
| | Between Contacts (AC) | 1500 V (rms) |
| Ambient Air Temperature Around the Device | Storage | -40 to +85 °C (-40 to +185 °F) |
| | Operation | -40 to +55 °C (-40 to +131 °F) |
| Vibration Resistance—In Operation | | ±1 mm (10–35 Hz) and 3 gn (35–150 Hz) |
| Shock Resistance | | 15 gn |
| Degree of Protection (Housing Only) | | IP40 |
| Weight | | 60 g (2.12 oz) |
| Agency Approvals | | UL with socket, UR (E164862), CE, CSA (LR44087), RoHS |

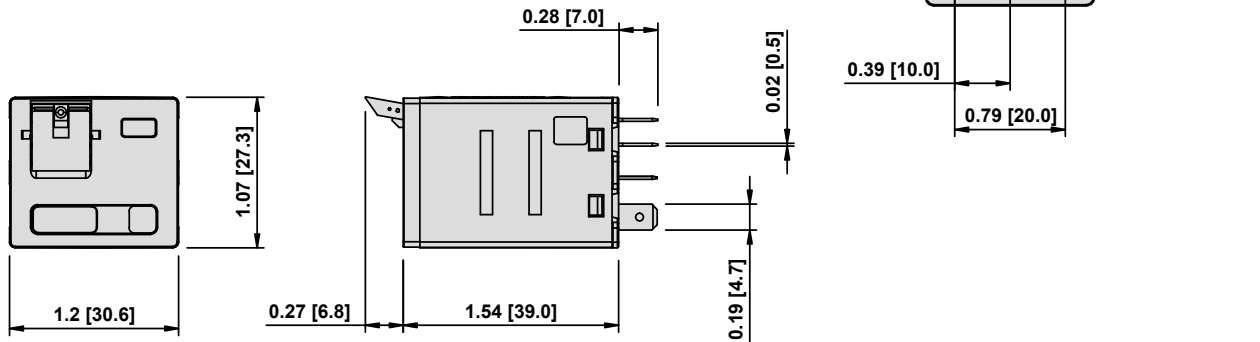
Note: Actual product performance may vary depending on the application and environmental conditions.

Dimensions, in. (mm)

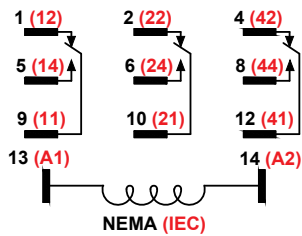
Clear Cover Dimensions

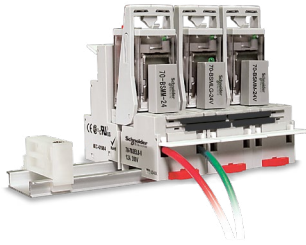


Full-Feature Cover Dimensions



Wiring Diagram

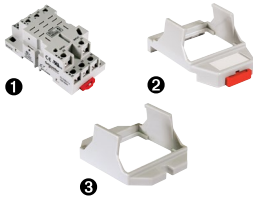




Description

Optional sockets offer customizable solutions including protection modules, hold-down clips, and ID tags. Sockets are finger-safe according to IP20, and compatible with DIN rail or panel mounting.

Relay Accessories



| Description | Function | For Use with Relays | Pkg. Min. | Standard Part Number |
|-------------|---|---------------------|-----------|----------------------|
| Socket ❶ | DIN or panel mounting (finger-safe according to IP20), with screw terminals and clamping plates | 783XCX | 10 | 70-783D11-1A |
| Adapter ❷ | Direct DIN rail mounting | | 10 | 16-783C |
| Adapter ❸ | Direct panel mounting | | 10 | 16-783C1 |

Socket Accessories



| Description | Function | For Use with Sockets | Coil Voltage | Pkg. Min. | Standard Part Number |
|---|---|----------------------|-----------------|-----------|----------------------|
| Metal Spring Clip ❶ | Securing the relay in the socket | 70-783D11-1A | — | 10 | 16-783SC |
| Plastic ID Hold-Down Clip ❷ | Securing the relay in the socket and providing labeling | | — | 10 | 16-783IDC |
| Extruded Aluminum DIN Rail, 1 m (39.37 in.) ❸ | Quick installation and removal of sockets | | — | 10 | 16-700DIN |
| DIN Rail End Clip ❹ | Holding the sockets firmly in place on a DIN rail | — | — | 10 | 16-DCLIP-1 |
| Large Socket Module | | | | | |
| MOV Suppressor | Protection from damaging electrical spikes | 70-783D11-1A | 24 Vac/Vdc | 10 | 70-ASMM-24 |
| Protection Diode | Protecting the external drive circuitry from inductive voltages | | 250 Vdc | 10 | 70-ASMD-250 |
| LED Indicator ❷ | Providing coil status at a glance | | 110/240 Vac/Vdc | 10 | 70-ASMLG-110/240 |
| RC Suppressor | Snubbing back the EMF of the relay coil | | 110/240 Vac | 10 | 70-ASMR-110/240 |

Note: Using an LED or RC socket module can increase the coil power draw by up to 10%.

Description

SE Relays General Purpose Relays

784 Series

4PDT 15 A



UL Listed when used with corresponding sockets



784 Clear Cover



784 Full-Feature Cover

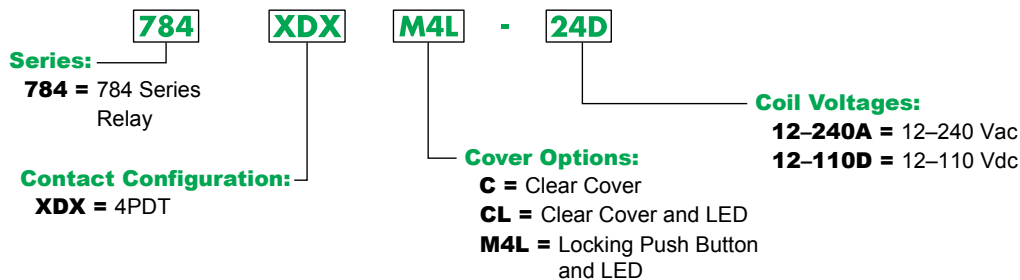
Description

The 784 Series plug-in relays offer clear or full-feature covers with multiple mounting options and accessories.

| Feature | Benefit |
|--------------------------------------|--|
| 15 A max. switching current | Ideal choice for automation panels and controls |
| Clear or full-feature cover options | Full-feature covers include an LED indicator and a locking test button |
| 4PDT contact configuration | Simultaneous control of up to 4 separate circuits |
| Socket-mounting option | Simplified installation and maintenance; use of protection modules, hold-down clips, and other accessories |
| Gold-flashed contacts | Reduced contact oxidation and increased shelf life |
| Mechanical flag indicator (standard) | Display of the relay status during testing or operation |

| Contact Rating | Contact Configuration | Nominal Voltage | Coil Resistance (Ω) | Standard Part Number | | |
|----------------|-----------------------|-------------------|---------------------|----------------------|----------------------|---------------|
| | | | | Clear Cover | Clear Cover with LED | Full-Feature |
| 15 A | 3PDT | 12 Vac, 50/60 Hz | 20 | 784DXC-12A | 784DXCL-12A | 784DXM4L-12A |
| | | 24 Vac, 50/60 Hz | 80 | 784DXC-24A | 784DXCL-24A | 784DXM4L-24A |
| | | 48 Vac, 50/60 Hz | 310 | 784DXC-48A | 784DXCL-48A | 784DXM4L-48A |
| | | 120 Vac, 50/60 Hz | 2100 | 784DXC-120A | 784DXCL-120A | 784DXM4L-120A |
| | | 240 Vac, 50/60 Hz | 8000 | 784DXC-240A | 784DXCL-240A | 784DXM4L-240A |
| | | 12 Vdc | 76 | 784DXC-12D | 784DXCL-12D | 784DXM4L-12D |
| | | 24 Vdc | 303 | 784DXC-24D | 784DXCL-24D | 784DXM4L-24D |
| | | 48 Vdc | 1210 | 784DXC-48D | 784DXCL-48D | 784DXM4L-48D |
| | | 110 Vdc | 6370 | 784DXC-110D | 784DXCL-110D | 784DXM4L-110D |

Part Number Explanation



For more information, contact Customer Service (1-847-441-2540).

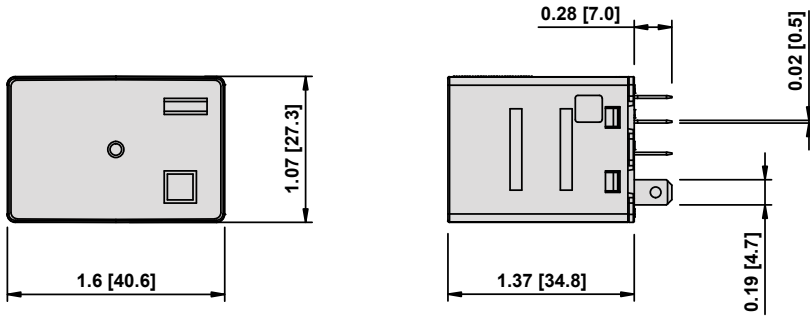
Specifications

| Part Number | | 784XDX |
|--|-------------------------------|---|
| Contact Characteristics | | |
| Terminal Style | | Blade |
| Contact Material | | Silver Alloy |
| Contact Configuration | | 4PDT |
| Carrying Current per Pole | | 15 A |
| Maximum Switching Voltage | | IEC: 250 Vac / 28 Vdc UL/CSA: 300 Vac / 28 Vdc |
| Rated Switching Current (Conforming to IEC AC-1 and DC-1) | at 250 Vac | N.O.: 15 A; N.C.: 7.5 A |
| | at 28 Vdc | N.O.: 15 A; N.C.: 7.5 A |
| Rated Switching Current (Conforming to UL) | Resistive | 15 A at 277 Vac, 50/60 Hz, 100 k cycles 15 A at 28 Vdc, 100 k cycles |
| | Motor | 1/2 hp at 120 Vac, 1 k cycles 1 hp at 277 Vac, 1 k cycles |
| | Pilot Duty | B300 |
| Rated Switching Current (Conforming to CSA) | Resistive | 15 A at 150 Vac, 50/60 Hz, 100 k cycles, 30 A max. total 10 A at 277 Vac, 50/60 Hz, 100 k cycles, 20 A max. total 15 A at 28 Vdc, 100 k cycles, 30 A max. total |
| | Motor | 1/2 hp at 120 Vac, 1 k cycles 1 hp at 277 Vac, 1 k cycles, 2 hp max. total |
| | Pilot Duty | B300 |
| Minimum Switching Requirement | | 10 mA at 17 Vdc |
| Coil Characteristics | | |
| Maximum Operating Voltage | | 110% (AC/DC) |
| Maximum Pickup Voltage | | 85% (AC); 80% (DC) |
| Drop-out Voltage Threshold | | 15% (AC); 10% (DC) |
| Average Consumption | | Standard: 2.5 VA (AC); 1.6 W (DC) With LED: 2.85 VA (AC); 1.95 W (DC) |
| General Characteristics | | |
| Electrical Life at Rated Load | | 100,000 operations |
| Mechanical Life (Unpowered) | | 10,000,000 operations |
| Operating Time | | 20 ms |
| Dielectric Strength | Between Coil and Contact (AC) | 2000 V (rms) |
| | Between Poles (AC) | 2000 V (rms) |
| | Between Contacts (AC) | 1500 V (rms) |
| Ambient Air Temperature Around the Device | Storage | -40 to +85 °C (-40 to +185 °F) |
| | Operation | -40 to +55 °C (-40 to +131 °F) |
| Vibration Resistance—In Operation | | ±1 mm (10–35 Hz) and 3 gn (35–150 Hz) |
| Shock Resistance | | 15 gn |
| Degree of Protection (Housing Only) | | IP40 |
| Weight | | 80 g (2.82 oz) |
| Agency Approvals | | UL with socket, UR (E164862), CE, CSA (LR44087), RoHS |

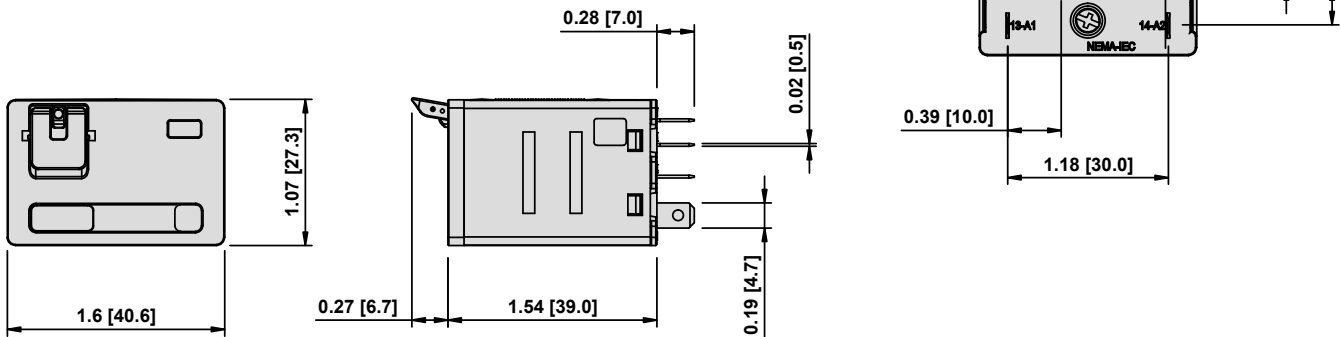
Note: Actual product performance may vary depending on the application and environmental conditions.

Dimensions, in. (mm)

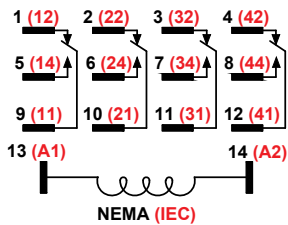
Clear Cover Dimensions

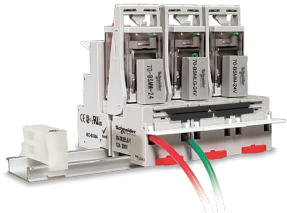


Full-Feature Cover Dimensions



Wiring Diagram

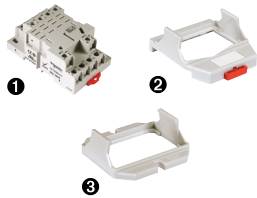




Description

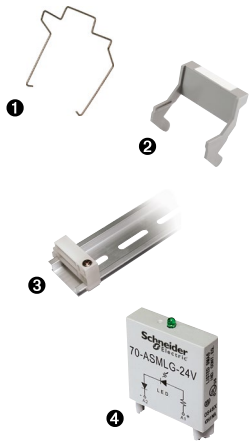
Optional sockets offer customizable solutions including protection modules, hold-down clips, and ID tags. Sockets are finger-safe according to IP20, and compatible with DIN rail or panel mounting.

Relay Accessories



| Description | Function | For Use with Relays | Pkg. Min. | Standard Part Number |
|-------------|--|---------------------|-----------|----------------------|
| Socket ① | DIN or panel mounting (finger-safe according to IP20) with screw terminals and clamping plates | 784XDX | 10 | 70-784D14-1 |
| Adapter ② | DIN rail adapter | | 10 | 16-784C |
| Adapter ③ | Flange mount adapter | | 10 | 16-784C1 |

Socket Accessories



| Description | Function | For Use with Socket | Coil Voltage | Pkg. Min. | Standard Part Number |
|---|---|---------------------|-----------------|-----------|----------------------|
| Metal Spring Clip ① | Securing the relay in the socket | 70-784D14-1 | — | 10 | 16-784SC |
| Plastic ID Hold-Down Clip ② | Securing the relay in the socket and providing labeling | | — | 10 | 16-784IDC |
| Extruded Aluminum DIN Rail, 1 m (39.37 in.) ③ | Quick installation and removal of the sockets | | — | 10 | 16-700DIN |
| DIN Rail End Clip ④ | Holding the sockets firmly in place on a DIN rail | — | — | 10 | 16-DCLIP-1 |
| Large Socket Module | | | | | |
| MOV Suppressor | Protection from damaging electrical spikes | 70-784D14-1 | 24 Vac/Vdc | 10 | 70-ASMM-24 |
| Protection Diode | Protecting the external drive circuitry from inductive voltages | | 250 Vdc | 10 | 70-ASMD-250 |
| LED Indicator ④ | Providing coil status at a glance | | 110/240 Vac/Vdc | 10 | 70-ASMLG-110/240 |
| RC Suppressor | Snubbing back the EMF of the relay coil | | 110/240 Vac | 10 | 70-ASMR-110/240 |

Note: Using an LED or an RC socket module can increase the coil power draw by up to 10%.

Description

SE Relays General Purpose Relays

750R Series

DPDT and 3DPT, 10 A



Description

The 750R series octal base, plug-in relays offer clear or full-feature covers with multiple mounting options and accessories.



750R Clear Cover

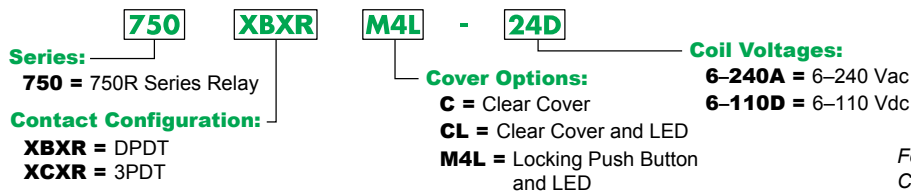


750R Full-Feature Cover

| Feature | Benefit |
|--------------------------------------|--|
| Octal style mounting | Robust and historically proven mounting platform that provides excellent structural support |
| 10 A max. switching current | Ideal choice for automation panels and controls |
| Clear or full-feature cover options | Full-feature covers include an LED indicator and a locking test button |
| DPDT and 3PDT contact configurations | Simultaneous control of separate circuits |
| Socket-mounting option | Simplified installation and maintenance; use of protection modules, hold-down clips, and other accessories |
| Gold-flashed contacts | Reduced contact oxidation and increased shelf life |
| Mechanical flag indicator (standard) | Display of the relay status during testing or operation |

| Contact Rating | Contact Configuration | Nominal Voltage | Coil Resistance (Ω) | Standard Part Number | | |
|----------------|-----------------------|-------------------|---------------------|----------------------|----------------------|-----------------|
| | | | | Clear Cover | Clear Cover with LED | Full-Feature |
| 10 A | DPDT | 6 Vac, 50/60 Hz | 3.9 | 750XBXRC-6A | — | — |
| | | 12 Vac, 50/60 Hz | 16.9 | 750XBXRC-12A | 750XBXRCL-12A | 750XBXRM4L-12A |
| | | 24 Vac, 50/60 Hz | 72 | 750XBXRC-24A | 750XBXRCL-24A | 750XBXRM4L-24A |
| | | 48 Vac, 50/60 Hz | 290 | — | — | 750XBXRM4L-48A |
| | | 120 Vac, 50/60 Hz | 1700 | 750XBXRC-120A | 750XBXRCL-120A | 750XBXRM4L-120A |
| | | 240 Vac, 50/60 Hz | 6800 | 750XBXRC-240A | 750XBXRCL-240A | 750XBXRM4L-240A |
| | | 6 Vdc | 3.9 | 750XBXRC-6D | — | 750XBXRM4L-6D |
| | | 12 Vdc | 120 | 750XBXRC-12D | 750XBXRCL-12D | 750XBXRM4L-12D |
| | | 24 Vdc | 470 | 750XBXRC-24D | 750XBXRCL-24D | 750XBXRM4L-24D |
| | 3PDT | 48 Vdc | 1800 | 750XBXRC-48D | 750XBXRCL-48D | 750XBXRM4L-48D |
| | | 110 Vdc | 7300 | 750XBXRC-110D | 750XBXRCL-110D | 750XBXRM4L-110D |
| | | 24 Vac, 50/60 Hz | 72 | 750XCXRC-24A | 750XCXRCL-24A | 750XCXRM4L-24A |
| | | 48 Vac, 50/60 Hz | 290 | — | — | 750XCXRM4L-48A |
| | | 120 Vac, 50/60 Hz | 1700 | 750XCXRC-120A | 750XCXRCL-120A | 750XCXRM4L-120A |
| | | 240 Vac, 50/60 Hz | 6800 | 750XCXRC-240A | 750XCXRCL-240A | 750XCXRM4L-240A |
| | | 12 Vdc | 120 | 750XCXRC-12D | 750XCXRCL-12D | 750XCXRM4L-12D |
| | | 24 Vdc | 470 | 750XCXRC-24D | 750XCXRCL-24D | 750XCXRM4L-24D |
| | | 48 Vdc | 1800 | 750XCXRC-48D | 750XCXRCL-48D | 750XCXRM4L-48D |
| 110 Vdc | 7300 | 750XCXRC-110D | 750XCXRCL-110D | 750XCXRM4L-110D | | |

Part Number Explanation



For more information, contact Customer Service (1-847-441-2540).

SE Relays General Purpose Relays

750R Series

DPDT and 3DPT, 10 A

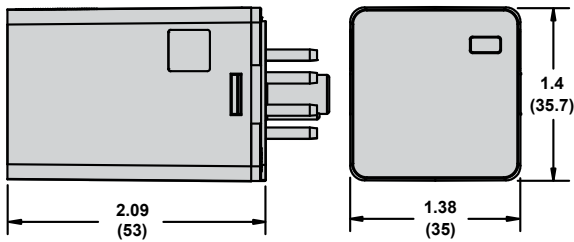
Specifications

| Part Number | | 750XBXR | 750XCXR |
|--|-------------------------------|---|---|
| Contact Characteristics | | | |
| Terminal Style | | Octal | Octal |
| Contact Material | | Silver Alloy | Silver Alloy |
| Contact Configuration | | DPDT | 3PDT |
| Carrying Current | | 10 A | 10 A |
| Maximum Switching Voltage | | IEC: 250 Vac / 28 Vdc UL/CSA: 300 Vac / 30 Vdc | IEC: 250 Vac / 28 Vdc UL/CSA: 300 Vac / 30 Vdc |
| Rated Switching Current (Conforming to IEC AC-1 and DC-1) | | N.O.: 10 A at 250 Vac / 28 Vdc N.C.: 5 A at 250 Vac / 28 Vdc | N.O.: 10 A at 250 Vac / 28 Vdc N.C.: 5 A at 250 Vac / 28 Vdc |
| Rated Switching Current (Conforming to UL) | Resistive | 10 A at 277 Vac, 50/60 Hz, 200 k cycles 10 A at 30 Vdc, 200 k cycles | 10 A at 277 Vac, 50/60 Hz, 200 k cycles 10 A at 30 Vdc, 200 k cycles |
| | Motor | 1/3 hp at 120 Vac, 6 k cycles 1 hp at 277 Vac, 6 k cycles | 1/3 hp at 120 Vac, 6 k cycles 1 hp at 277 Vac, 6 k cycles |
| | Pilot Duty | B300, 6 k cycles | B300, 6 k cycles |
| Minimum Switching Requirement | | 10 mA at 17 Vdc | 10 mA at 17 Vdc |
| Coil Characteristics | | | |
| Maximum Operating Voltage | | 110% (AC/DC) | |
| Maximum Pickup Voltage | | 85% (AC); 80% (DC) | |
| Drop-out Voltage Threshold | | 15% (AC); 10% (DC) | |
| Average Consumption | | 3 VA (AC); 1.4 W (DC) | |
| General Characteristics | | | |
| Electrical Life at Rated Load | | 100,000 operations | |
| Mechanical Life | | 5,000,000 operations | |
| Operating Time | | 20 ms | |
| Dielectric Strength | Between Coil and Contact (AC) | 2500 V (rms) | |
| | Between Poles (AC) | 2000 V (rms) | |
| | Between Contacts (AC) | 1500 V (rms) | |
| Ambient Air Temperature Around the Device | Storage | -40 to +85 °C (-40 to +185°F) | |
| | Operation | -40 to +55 °C (-40 to +131°F) | |
| Vibration Resistance—In Operation | | ±1 mm (10–35 Hz) and 3 gn (35–150 Hz) | |
| Shock Resistance | | 10 gn | |
| Degree of Protection (Housing Only) | | IP40 | |
| Weight | | 83 g (2.93 oz) | |
| Agency Approvals | | UL with socket, UR (E164862), CE, CSA (LR44087), RoHS | |

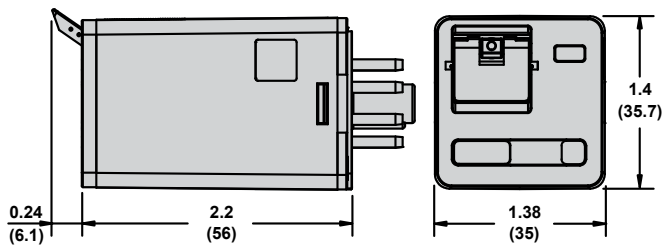
Note: Actual product performance may vary depending on the application and environmental conditions.

Dimensions, in. (mm)

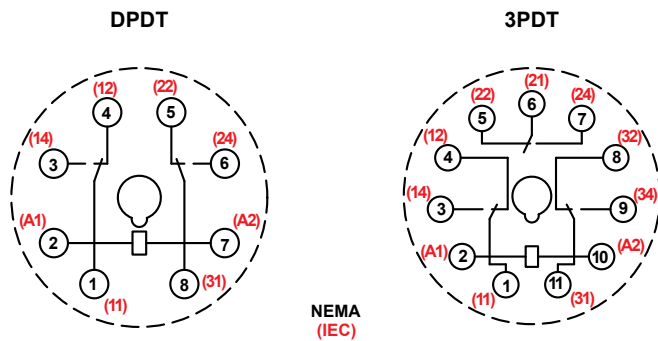
Clear Cover Dimensions



Full-Feature Cover Dimensions

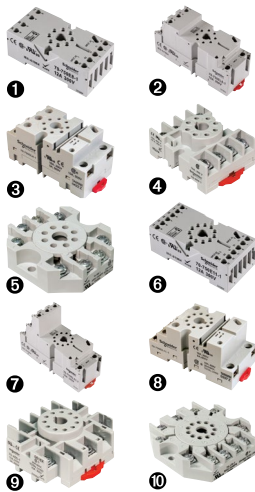
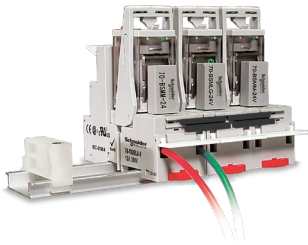


Wiring Diagrams



SE Relays General Purpose Relays

750R Series Accessories



Description

Optional sockets offer customizable solutions including protection modules, hold-down clips, and ID tags. Sockets are finger-safe according to IP20, and compatible with DIN rail or panel mounting.

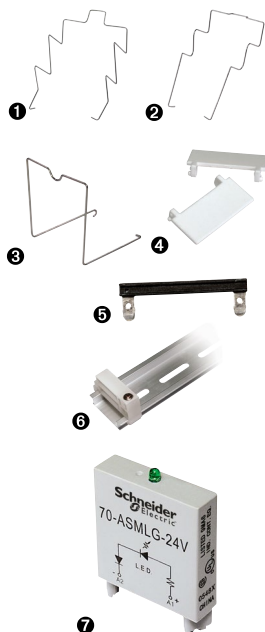
Relay Accessories

| Description | Function | For Use with Relays | Pkg. Min. | Standard Part Number |
|-------------|--|---------------------|-----------|----------------------|
| Socket 1 | DIN or panel mounting, module compatible | 750XBXR | 10 | 70-750E8-1 |
| Socket 2 | DIN or panel mounting with elevator terminals, module compatible | | 10 | 70-750EL8-1 |
| Socket 3 | DIN or panel mounting, module compatible | | 10 | 70-750DL8-1 |
| Socket 4 | DIN or panel mounting with screw terminals and clamping plates | | 10 | 70-464-1 |
| Socket 5 | Panel mounting with screw terminals and clamping plates | | 10 | 70-169-1 |
| Socket 6 | DIN or panel mounting with elevator terminals, module compatible | 750XCXR | 10 | 70-750E11-1 |
| Socket 7 | DIN or panel mounting with elevator terminals | | 10 | 70-750EL11-1 |
| Socket 8 | DIN or panel mounting, module compatible | | 10 | 70-750DL11-1 |
| Socket 9 | DIN or panel mounting with screw terminals and clamping plates | | 10 | 70-465-1 |
| Socket 10 | Panel mounting with screw terminals and clamping plates | | 10 | 70-170-1 |

Socket Accessories

| Description | Function | For Use with Sockets | Coil Voltage | Pkg. Min. | Standard Part Number |
|---|---|---|-----------------|-----------|----------------------|
| Metal Spring Clip 1 | Securing the relay in the socket | 70-750EL8-1, 70-750E8-1, 70-750E11-1, 70-464-1 | — | 10 | 16-1351 |
| Metal Spring Clip 2 | Securing the relay in the socket | 70-750E8-1, 70-750DL8-1, 70-750E11-1, 70-464-1 | — | 10 | 16-1344 |
| Metal Spring Clip 3 | Securing the relay in the socket | 70-750DL8-1 | — | 10 | 16-1332 |
| Plastic ID Tag 4 | Write-on plastic labels | 70-750E8-1, 70-750EL8-1, 70-750DL8-1, 70-750E11-1, 70-750EL11, 70-750DL11-1 | — | 10 | 16-750/788FT-1 |
| Insulated Coil Bus Jumper System 5 | Wireless socket connection | | — | 10 | 16-750/788CBJ-1 |
| Extruded Aluminum DIN Rail, 1 m (39.37 in.) 6 | Quick installation and removal of sockets | 70-750EL8-1, 70-750E8-1, 70-750DL8-1, 70-750E11-1, 70-464-1, 70-465-1 | — | 10 | 16-700DIN |
| DIN Rail End Clip 6 | Plastic end clip with locking screw | — | — | 10 | 16-DCLIP-1 |
| Large Socket Modules | | | | | |
| MOV Suppressor | Protection from damaging electrical spikes | 70-750E8-1, 70-750EL8-1, 70-750DL8-1, 70-750E11-1, 70-750EL11-1, 70-750DL11-1 | 24 Vac/Vdc | 10 | 70-ASMM-24 |
| Protection Diode | Protecting the external drive circuitry from inductive voltages | | 250 Vdc | 10 | 70-ASMD-250 |
| LED Indicator 7 | Providing coil status at a glance | | 110/240 Vac/Vdc | 10 | 70-ASMLG-110/240 |
| RC Suppressor | Snubbing back the EMF of the relay coil | | 110/240 Vac | 10 | 70-ASMR-110/240 |

Note: Using an LED or RC socket module can increase the coil power draw by up to 10%.



Description

SE Relays General Purpose Relays

788R Series

DPDT and 3PDT 10 A



7885 Clear Cover



7885 Full-Feature Cover

Description

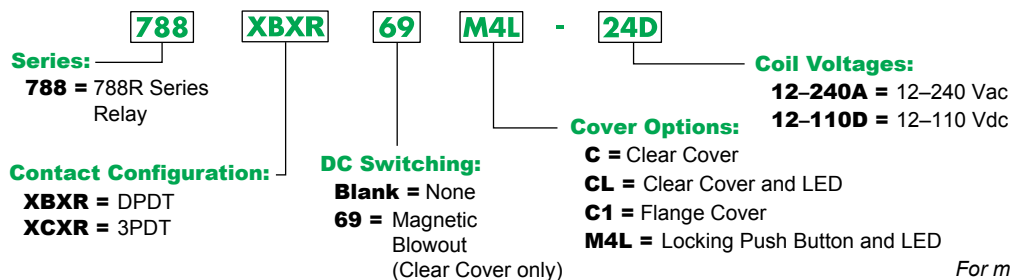
The 788R Series square base, plug-in relays offer clear, full-feature, top flange, and side flange covers as well as optional sockets and accessories.

| Feature | Benefit |
|--------------------------------------|--|
| 10 A max. switching current | Ideal choice for automation panels and controls |
| Clear or full-feature cover options | Full-feature covers include an LED indicator and a locking test button |
| DPDT and 3PDT contact configurations | Simultaneous control of separate circuits |
| Socket-mounting option | Simplified installation and maintenance; use of protection modules, hold-down clips, and other accessories |
| Gold-flashed contacts | Reduced contact oxidation and increased shelf life |
| Mechanical flag indicator (standard) | Display of the relay status during testing or operation |

| Contact Rating | Contact Configuration | Nominal Voltage | Coil Resistance (Ω) | Standard Part Number | | | |
|----------------|-----------------------|-------------------|---------------------|----------------------|----------------------|-----------------|-----------------|
| | | | | Clear Cover | Clear Cover with LED | Flange Mount | Full-Feature |
| 10 A | DPDT | 24 Vac, 50/60 Hz | 72 | 788XBXRC-24A | 788XBXRCL-24A | 788XBXRC1-24A | 788XBXRM4L-24A |
| | | 48 Vac, 50/60 Hz | 290 | — | — | — | 788XBXRM4L-48A |
| | | 120 Vac, 50/60 Hz | 1700 | 788XBXRC-120A | 788XBXRCL-120A | 788XBXRC1-120A | 788XBXRM4L-120A |
| | | 240 Vac, 50/60 Hz | 6800 | 788XBXRC-240A | 788XBXRCL-240A | 788XBXRC1-240A | 788XBXRM4L-240A |
| | | 12 Vdc | 120 | 788XBXRC-12D | 788XBXRCL-12D | 788XBXRC1-12D | 788XBXRM4L-12D |
| | | 24 Vdc | 470 | 788XBXRC-24D | 788XBXRCL-24D | 788XBXRC1-24D | 788XBXRM4L-24D |
| | | 48 Vdc | 1800 | 788XBXRC-48D | 788XBXRCL-48D | 788XBXRC1-48D | 788XBXRM4L-48D |
| | 110 Vdc | 7300 | 788XBXRC-110D | 788XBXRCL-110D | 788XBXRC1-110D | 788XBXRM4L-110D | |
| | 3PDT | 12 Vac, 50/60 Hz | 16.9 | 788XCXRC-12A | — | — | — |
| | | 24 Vac, 50/60 Hz | 72 | 788XCXRC-24A | 788XCXRCL-24A | 788XCXRC1-24A | 788XCXRM4L-24A |
| | | 48 Vac, 50/60 Hz | 290 | — | — | — | 788XCXRM4L-48A |
| | | 120 Vac, 50/60 Hz | 1700 | 788XCXRC-120A | 788XCXRCL-120A | 788XCXRC1-120A | 788XCXRM4L-120A |
| | | 240 Vac, 50/60 Hz | 6800 | 788XCXRC-240A | 788XCXRCL-240A | 788XCXRC1-240A | 788XCXRM4L-240A |
| | | 12 Vdc | 120 | 788XCXRC-12D | 788XCXRCL-12D | 788XCXRC1-12D | 788XCXRM4L-12D |
| 24 Vdc | | 470 | 788XCXRC-24D | 788XCXRCL-24D | 788XCXRC1-24D | 788XCXRM4L-24D | |
| 48 Vdc | 1800 | 788XCXRC-48D | 788XCXRCL-48D | 788XCXRC1-48D | 788XCXRM4L-48D | | |
| 110 Vdc | 7300 | 788XCXRC-110D | 788XCXRCL-110D | 788XCXRC1-110D | 788XCXRM4L-110D | | |

Note: Magnetic blowout versions are also available with an added contact rating of 3 A at 150 Vdc. Refer to the Part Number Explanation shown below.

Part Number Explanation



For more information, contact Customer Service (1-847-441-2540).

SE Relays General Purpose Relays

788R Series

DPDT and 3PDT 10 A

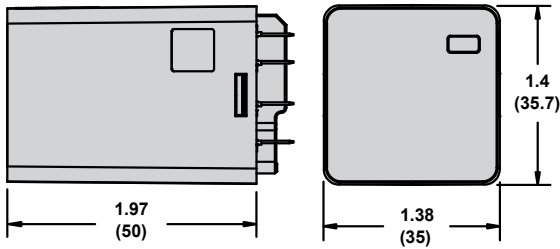
Specifications

| Part Number | | 788XBXR | 788XCXR |
|--|-------------------------------|--|--|
| Contact Characteristics | | | |
| Terminal Style | | Blade | Blade |
| Contact Material | | Silver Alloy | Silver Alloy |
| Contact Configuration | | DPDT | 3PDT |
| Carrying Current | | 10 A | 10 A |
| Maximum Switching Voltage | | IEC: 250 Vac / 28 Vdc UL/CSA: 300 Vac / 30 Vdc | IEC: 250 Vac / 28 Vdc UL/CSA: 300 Vac / 30 Vdc |
| Rated Switching Current (Conforming to IEC AC-1 and DC-1) | | N.O.: 10 A at 250 Vac / 28 Vdc N.C.: 5 A at 250 Vac / 28 Vdc | N.O.: 10 A at 250 Vac / 28 Vdc N.C.: 5 A at 250 Vac / 28 Vdc |
| Rated Switching Current (Conforming to UL) | Resistive | 10 A at 277 Vac, 50/60 Hz, 200 k cycles 10 A at 30 Vdc, 200 k cycles | 10 A at 277 Vac, 50/60 Hz, 200 k cycles 10 A at 30 Vdc, 200 k cycles |
| | Motor | 1/3 hp at 120 Vac, 6 k cycles 1 hp at 277 Vac, 6 k cycles | 1/3 hp at 120 Vac, 6 k cycles 1 hp at 277 Vac, 6 k cycles |
| | Pilot Duty | B300, 6 k cycles | B300, 6 k cycles |
| Rated Current with Magnetic Blowout (Code 69) | | UL: 3 A at 150 Vdc (DPDT only), 6 k cycles | UL: 3 A at 150 Vdc (DPDT only), 6 k cycles |
| Minimum Switching Requirement | | 10 mA at 17 Vdc | 10 mA at 17 Vdc |
| Coil Characteristics | | | |
| Maximum Operating Voltage | | 110% (AC/DC) | 110% (AC/DC) |
| Maximum Pickup Voltage | | 85% (AC); 80% (DC) | 85% (AC); 80% (DC) |
| Drop-out Voltage Threshold | | 15% (AC); 10% (DC) | 15% (AC); 10% (DC) |
| Average Consumption | | 3 VA (AC); 1.4 W (DC) | 3 VA (AC); 1.4 W (DC) |
| General Characteristics | | | |
| Electrical Life at Rated Load | | 100,000 operations | 100,000 operations |
| Mechanical Life (Unpowered) | | 5,000,000 operations | 5,000,000 operations |
| Operating Time | | 20 ms | 20 ms |
| Dielectric Strength | Between Coil and Contact (AC) | 2500 V (rms) | 2500 V (rms) |
| | Between Poles (AC) | 2000 V (rms) | 2000 V (rms) |
| | Between Open Contacts (AC) | 1500 V (rms) | 1500 V (rms) |
| Ambient Air Temperature Around the Device | Storage | -40 to +85 °C (-40 to +185 °F) | -40 to +85 °C (-40 to +185 °F) |
| | Operation | -40 to +55 °C (-40 to +131 °F) | -40 to +55 °C (-40 to +131 °F) |
| Vibration Resistance—In Operation | | ±1 mm (10–35 Hz) and 3 gn (35–150 Hz) | ±1 mm (10–35 Hz) and 3 gn (35–150 Hz) |
| Shock Resistance | | 10 gn | 10 gn |
| Degree of Protection (Housing Only) | | IP40 | IP40 |
| Weight | | 83 g (2.93 oz) | 83 g (2.93 oz) |
| Agency Approvals | | UL with socket, UR (E164862), CE, CSA (LR44087), RoHS | UL with socket, UR (E164862), CE, CSA (LR44087), RoHS |

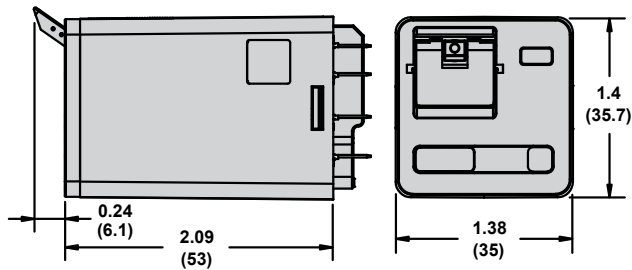
Note: Actual product performance may vary depending on the application and environmental conditions.

Dimensions, in. (mm)

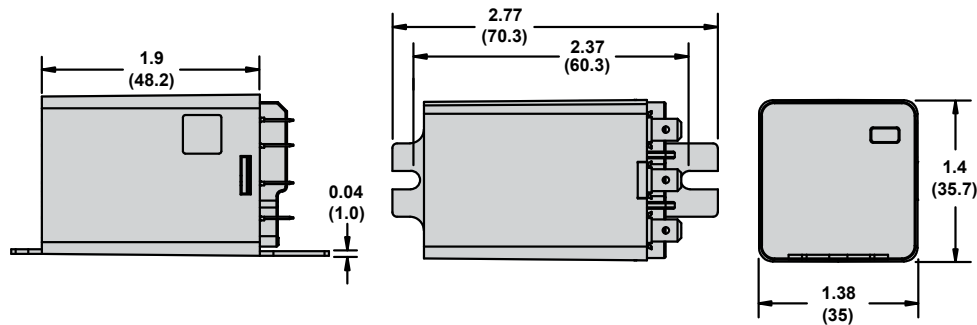
Clear Cover Dimensions



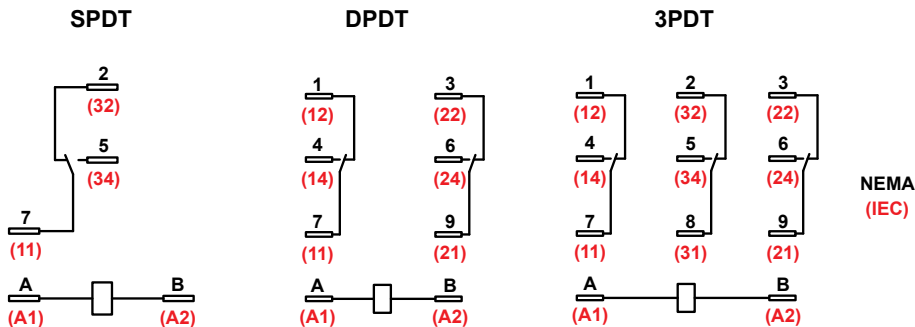
Full-Feature Cover Dimensions



Side Flange Cover Dimensions

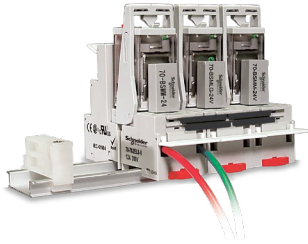


Wiring Diagrams



SE Relays General Purpose Relays

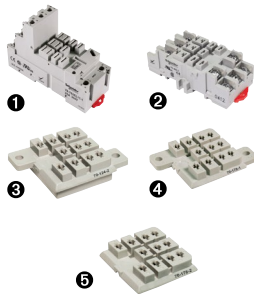
788R Series Accessories



Description

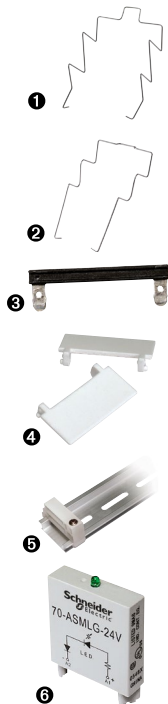
Optional sockets offer customizable solutions including protection modules, hold-down clips, and ID tags. Sockets are finger-safe according to IP20, and compatible with DIN rail or panel mounting.

Relay Accessories



| Description | Function | For Use with Relays | Pkg. Min. | Standard Part Number |
|-------------|--|---------------------|-----------|----------------------|
| Socket 1 | DIN mounting with elevator terminals | 788XBXR/ XCXR | 10 | 70-788EL11-1 |
| Socket 2 | DIN or panel mounting with screw terminals and clamping plates | | 10 | 70-463-1 |
| Socket 3 | 0.187 in. Quick Connect terminals with mounting tabs | | 10 | 70-124-2 |
| Socket 4 | Printed circuit terminals—with mounting tabs | | 10 | 70-178-1 |
| Socket 5 | Printed circuit terminals—without mounting tabs | | 10 | 70-178-2 |

Socket Accessories



| Description | Function | For Use with Sockets | Coil Voltage | Pkg. Min. | Standard Part Number |
|---|---|--|-----------------|-----------|----------------------|
| Metal Spring Clip 1 | Securing the relay in the socket | 70-788EL11-1, 70-463-1, 70-124-1, 70-178-1, 70-178-2 | — | 10 | 16-1351 |
| Metal Spring Clip 2 | Securing the relay in the socket | 70-463-1 | — | 10 | 16-1344 |
| Insulated Coil Bus Jumper System 3 | Wireless socket connection | 70-788EL11-1 | — | 10 | 16-750/788CBJ-1 |
| Plastic ID Tag 4 | Write-on plastic labels | | — | 10 | 16-750/788FT-1 |
| Extruded Aluminum DIN Rail, 1 m (39.37 in.) 5 | Quick installation and removal of sockets | 70-788EL11-1, 70-463-1 | — | 10 | 16-700DIN |
| DIN Rail End Clip 6 | Holding the sockets firmly in place on a DIN rail | — | — | 10 | 16-DCLIP-1 |
| Large Socket Module | | | | | |
| MOV Suppressor | Protection from damaging electrical spikes | 70-788EL11-1 | 24 Vac/Vdc | 10 | 70-ASMM-24 |
| Protection Diode | Protecting the external drive circuitry from inductive voltages | | 250 Vdc | 10 | 70-ASMD-250 |
| LED Indicator 6 | Providing coil status at a glance | | 110/240 Vac/Vdc | 10 | 70-ASMLG-110/240 |
| RC Suppressor | Snubbing back the EMF of the relay coil | | 110/240 Vac | 10 | 70-ASMR-110/240 |

Note: Using an LED or RC socket module can increase the coil power draw by up to 10%.

Description

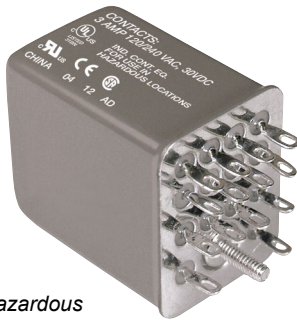
SE Relays General Purpose Relays

782H Hazardous Location Series

4PDT 3 A and 5 A



UL Listed when used with corresponding sockets



782H Hazardous Location Relay

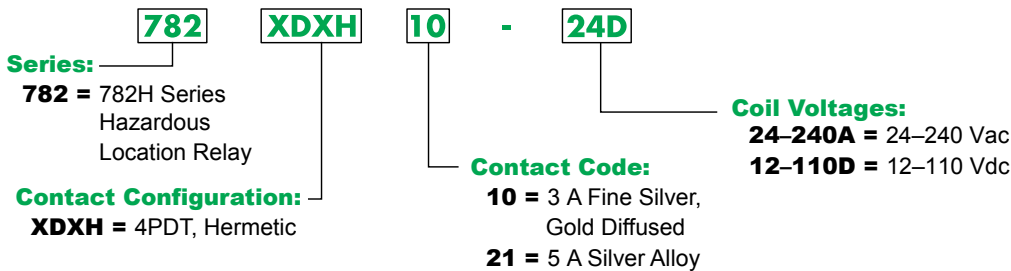
Description

The hermetically sealed 782H Series relays comply with UL Class I Division 2 requirements for use in hazardous locations.

| Feature | Benefit |
|----------------------------------|--|
| Hermetically sealed | Compliance with UL Class I Division 2 for Hazardous Locations Groups A, B, C, and D; sealed for wash down conditions |
| 3 A / 5 A max. switching current | Ideal choice for automation and control applications |
| 4PDT contact configuration | Simultaneous control of up to 4 separate circuits |
| Screw-mounting options | Direct mounting |
| Socket-mounting option | Simplified installation and maintenance; use of protection modules, hold-down clips, and other accessories |
| Gold-flashed contacts | Reduced contact oxidation and increased shelf life |

| Contact Rating | Contact Configuration | Nominal Voltage | Coil Resistance (Ω) | Standard Part Number |
|----------------|-----------------------|-------------------|---------------------|----------------------|
| 3 A | 4PDT | 120 Vac, 50/60 Hz | 3,900 | 782DXH10-120A |
| | | 12 Vdc | 160 | 782DXH10-12D |
| | | 24 Vdc | 650 | 782DXH10-24D |
| | | 110 Vdc | 11,000 | 782DXH10-110D |
| 5 A | 4PDT | 120 Vac, 50/60 Hz | 3,900 | 782DXH21-120A |
| | | 12 Vdc | 160 | 782DXH21-12D |
| | | 24 Vdc | 650 | 782DXH21-24D |

Part Number Explanation



For more information, contact Customer Service (1-847-441-2540).

SE Relays General Purpose Relays

782H Hazardous Location Series

4PDT 3 A and 5 A

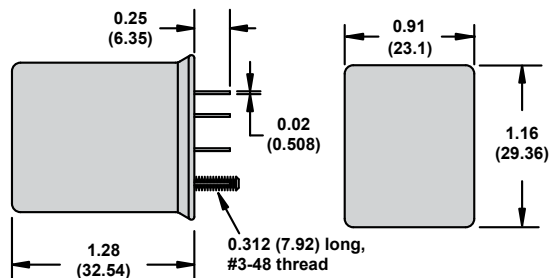
Specifications

| Part Number | 782XDXH21 | 782XDXH10 |
|--|---|---|
| Contact Characteristics | | |
| Terminal Style | Blade | Blade |
| Contact Material | Silver Alloy | Fine Silver |
| Load Type | Standard | Low Level |
| Contact Configuration | 4PDT | 4PDT |
| Carrying Current | 5 A | 3 A |
| Maximum Switching Voltage | 300 V | 300 V |
| Rated Switching Current (Conforming to IEC AC-1) | 5 A at 240 Vac (N.O. or N.C. Only) | 3 A at 240 Vac (N.O. or N.C. Only) |
| Rated Switching Current (Conforming to UL and ANSI/ISA 12.12.01) | Resistive | 5 A at 120 Vac, 50/60 Hz, 100 k cycles 5 A at 240 Vac, 50/60 Hz, 100 k cycles 5 A at 30 Vdc, 100 k cycles |
| | Motor | — 1/10 hp at 120 Vac 1/10 hp at 240 Vac |
| Minimum Switching Requirement | 100 mA at 5 Vdc | 10 mA at 5 Vdc |
| Coil Characteristics | | |
| Maximum Operating Voltage | 110% (AC/DC) | |
| Maximum Pickup Voltage | 80% (AC); 75% (DC) | |
| Drop-out Voltage Threshold | 30% (AC); 10% (DC) | |
| Average Consumption | 1.2 VA (AC); 0.9 W (DC) | |
| General Characteristics | | |
| Electrical Life at Rated Load | 100,000 operations | |
| Mechanical Life (Unpowered) | 10,000,000 operations | |
| Operating Time | 20 ms | |
| Dielectric Strength | Between Coil and Contact (AC) | 1600 V (rms) |
| | Between Poles (AC) | 1600 V (rms) |
| Ambient Air Temperature Around the Device | Storage | -60 to +85 °C (-76 to +185 °F) |
| | Operation | -45 to +70 °C (-49 to +158 °F) |
| Temperature Code for Hazardous Locations | T5: AC coil +40 °C (+40 °F), DC coil +70 °C (+158 °F) | |
| Vibration Resistance—In Operation | 6 gn at 10–55 Hz | |
| Shock Resistance | 10 gn | |
| Degree of Protection | Hermetically sealed | |
| Weight | 45 g (1.59 oz) | |
| Agency Approvals | UL with socket, UR (E209950), CE, CSA (LR40787), RoHS | |

Note: Actual product performance may vary depending on the application and environmental conditions.

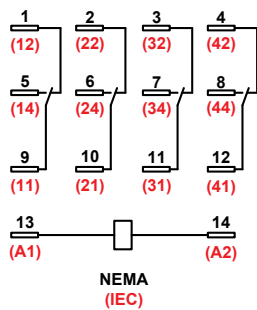
Dimensions, in. (mm)

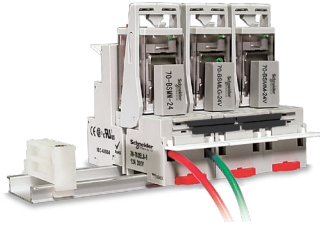
782H



Wiring Diagrams

4PDT

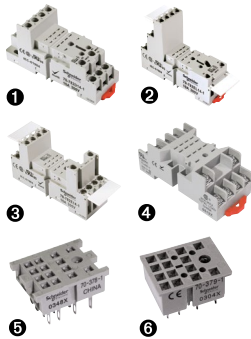




Description

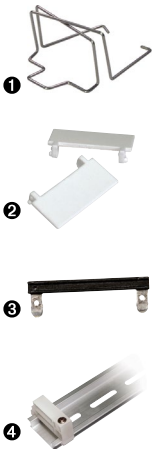
Optional sockets offer customizable solutions including protection modules, hold-down clips, and ID tags. Sockets are finger-safe according to IP20, and compatible with DIN rail or panel mounting.

Relay Accessories



| Description | Function | For Use with Relays | Pkg. Min. | Standard Part Number |
|-------------|--|---------------------|-----------|----------------------|
| Socket ① | DIN or panel mounting with screw terminals and clamping plates | 782XDXH | 10 | 70-782D14-1 |
| Socket ② | DIN or panel mounting with elevator terminals | | 10 | 70-782EL14-1 |
| Socket ③ | DIN or panel mounting with rising elevator box terminals | | 10 | 70-782E14-1 |
| Socket ④ | DIN or panel mounting with screw terminals and clamping plates | | 10 | 70-461-1 |
| Socket ⑤ | Solder terminals for chassis mount | | 10 | 70-378-1 |
| Socket ⑥ | Printed circuit terminals for PCB mount | | 10 | 70-379-1 |

Socket Accessories



| Description | Function | For Use with Sockets | Coil Voltage | Pkg. Min. | Standard Part Number |
|---|---|--|--------------|-----------|----------------------|
| Metal Spring Clip ① | Securing the relay in the socket | 70-782D14-1, 70-782E14-1, 70-782EL14-1, 70-461-1, 70-378-1, 70-379-1 | — | 10 | 16-1342 |
| Plastic ID Tag ② | Write-on plastic labels | 70-782E14-1, 70-782EL14-1 | — | 10 | 16-782FT-1 |
| Insulated Coil Bus Jumper System ③ | Wireless socket connection | 70-782EL14-1 | — | 10 | 16-782CBJ-1 |
| Extruded Aluminum DIN Rail, 1 m (39.37 in.) ④ | Quick installation and removal of sockets | 70-782D14-1, 70-782EL14-1, 70-782E14-1 | — | 10 | 16-700DIN |
| DIN Rail End Clip ④ | Holding the sockets firmly in place on a DIN rail | — | — | 10 | 16-DCLIP-1 |

Description

SE Relays General Purpose Relays

750H Hazardous Location Series

DPDT, 3PDT 12 A



UL Listed when used with corresponding sockets



750H Hazardous Location Relay

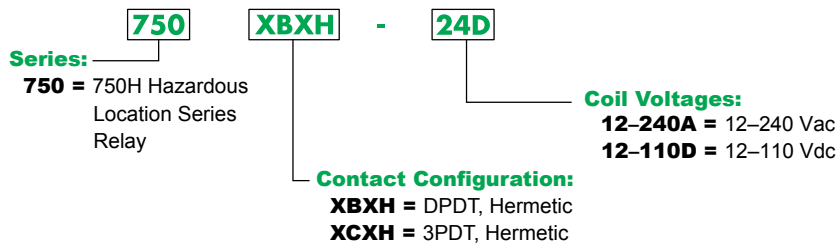
Description

The hermetically sealed 750H Series relays comply with UL Class I Division 2 requirements for use in hazardous locations.

| Feature | Benefit |
|-------------------------------------|--|
| Hermetically sealed | Compliance with UL Class I Division 2 for Hazardous Locations Groups A, B, C, and D; sealed for wash down conditions |
| Octal style mounting | Robust and historically proven mounting platform that provides excellent structural support |
| 12 A max. switching current | Ideal choice for automation and control applications |
| DPDT and 3PDT contact configuration | Simultaneous control of separate circuits |
| Socket-mounting option | Simplified installation and maintenance; use of protection modules, hold-down clips, and other accessories |

| Contact Rating | Contact Configuration | Nominal Voltage | Coil Resistance (Ω) | Standard Part Number |
|----------------|-----------------------|-------------------|---------------------|----------------------|
| 12 A | DPDT | 12 Vac, 50/60 Hz | 18 | 750XBXH-12A |
| | | 24 Vac, 50/60 Hz | 72 | 750XBXH-24A |
| | | 120 Vac, 50/60 Hz | 1700 | 750XBXH-120A |
| | | 240 Vac, 50/60 Hz | 7200 | 750XBXH-240A |
| | | 12 Vdc | 120 | 750XBXH-12D |
| | | 24 Vdc | 470 | 750XBXH-24D |
| | | 110 Vdc | 10,000 | 750XBXH-110D |
| | 3PDT | 12 Vac, 50/60 Hz | 18 | 750XCXH-12A |
| | | 24 Vac, 50/60 Hz | 72 | 750XCXH-24A |
| | | 120 Vac, 50/60 Hz | 1700 | 750XCXH-120A |
| | | 240 Vac, 50/60 Hz | 7200 | 750XCXH-240A |
| | | 12 Vdc | 120 | 750XCXH-12D |
| | | 24 Vdc | 470 | 750XCXH-24D |
| | | 110 Vdc | 10,000 | 750XCXH-110D |

Part Number Explanation



For more information, contact Customer Service (847-441-2540).

SE Relays General Purpose Relays

750H Hazardous Location Series

DPDT, 3PDT 12 A

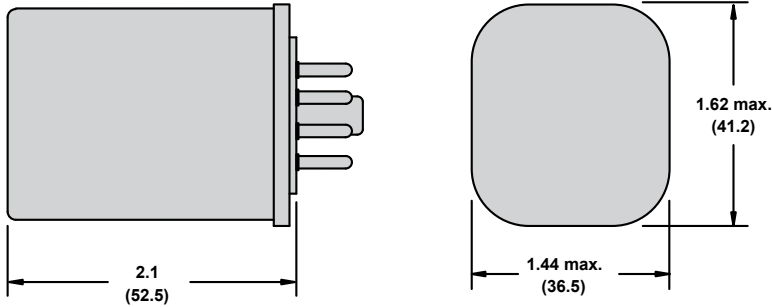
Specifications (UL 508)

| Part Number | | 750XBXH | 750CXH |
|--|--------------------------|--|--------|
| Contact Characteristics | | | |
| Terminal Style | | Octal | |
| Contact Material | | Silver Alloy | |
| Load Type | | Standard | |
| Contact Configuration | | DPDT | 3PDT |
| Carrying Current | | 12 A | |
| Maximum Switching Voltage | | 300 V | |
| Rated Switching Current (Conforming to UL and ANSI/ISA 12.12.01) | Resistive | 12 A at 120 Vac, 50/60 Hz, 100,000 cycles 12 A at 240 Vac, 50/60 Hz, 100,000 cycles 12 A at 28 Vdc, 100,000 cycles | |
| | Motor | 1/2 hp at 240 Vac, 50/60 Hz, 100,000 cycles 1/3 hp at 120 Vac, 50/60 Hz, 100,000 cycles | |
| | Pilot Duty | B300 — 100,000 cycles | |
| Minimum Switching Requirement | | 100 mA at 5 Vdc | |
| Coil Characteristics | | | |
| Maximum Operating Voltage | | 110% (AC/DC) | |
| Maximum Pickup Voltage | | 85% (AC); 80% (DC) | |
| Drop-out Voltage Threshold | | 15% (AC); 10% (DC) | |
| Average Consumption | | 2.75 VA at 60 Hz (AC); 1.2 W (DC) | |
| General Characteristics | | | |
| Electrical Life (at Rated Load) | | 100,000 operations | |
| Mechanical Life (No Load) | | 10,000,000 operations | |
| Maximum Operating Time | | 20 ms | |
| Dielectric Strength | Between Coil and Contact | 1600 V (rms) | |
| | Between Poles | 1600 V (rms) | |
| | Between Open Contacts | 1500 V (rms) | |
| Ambient Air Temperature Around the Device | Storage | -40 to +85 °C (-40 to +185 °F) | |
| | Operation | -40 to +55 °C (-40 to +131 °F) | |
| Temperature Code for Hazardous Locations | | DC: T5, Max. Ambient Temperature +70 °C AC: T4A, Max. Ambient Temperature +40 °C | |
| Vibration Resistance—In Operation | | 3 gn at 35–150 Hz | |
| Shock Resistance | | 10 gn (11 ms) | |
| Degree of Protection | | Hermetically sealed | |
| Weight | | 130 g (4.59 oz) | |
| Agency Approvals | | UL with socket, UR (E209950), CSA (LR40787), RoHS | |

Note: Actual product performance may vary depending on the application and environmental conditions.

Dimensions, in. (mm)

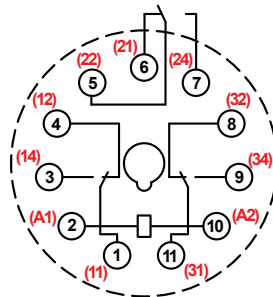
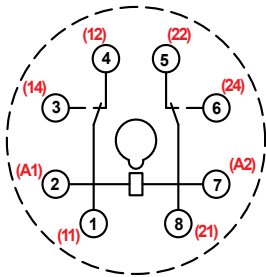
750H



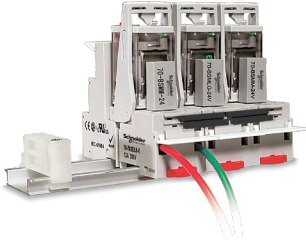
Wiring Diagrams

DPDT

3PDT



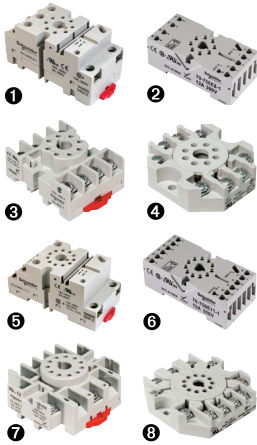
NEMA
(IEC)



Description

Optional sockets offer customizable solutions including protection modules, hold-down clips, and ID tags. Sockets are finger-safe according to IP20, and compatible with DIN rail or panel mounting.

Relay Accessories

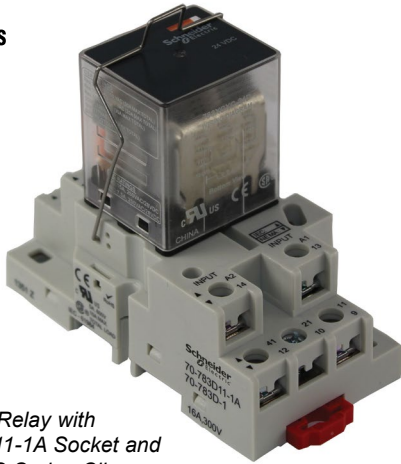


| Description | Function | For Use with Relays | Pkg. Min. | Standard Part Number |
|-------------|--|---------------------|-----------|----------------------|
| Socket 1 | DIN or panel mounting with screw terminals | 750XBXH | 10 | 70-750DL8-1 |
| Socket 2 | DIN or panel mounting with elevator terminals, module compatible | | 10 | 70-750E8-1 |
| Socket 3 | DIN or panel mounting with screw terminals and clamping plates | | 10 | 70-464-1 |
| Socket 4 | Panel mounting with screw terminals and clamping plates | | 10 | 70-169-1 |
| Socket 5 | DIN or panel mounting | 750XCXH | 10 | 70-750DL11-1 |
| Socket 6 | DIN or panel mounting with elevator terminals | | 10 | 70-750E11-1 |
| Socket 7 | DIN or panel mounting with screw terminals and clamping plates | | 10 | 70-465-1 |
| Socket 8 | Panel mounting with screw terminals and clamping plates | | 10 | 70-170-1 |

Socket Accessories



| Description | Function | For Use with Sockets | Coil Voltage | Pkg. Min. | Standard Part Number |
|---|---|--|--------------|-----------|----------------------|
| Metal Spring Clip 1 | Securing the relay in the socket | 70-750DL8-1, 70-750E8-1, 70-464-1, 70-750E11-1, 70-750DL11-1, 70-465-1 | — | 10 | 16-1351 |
| Plastic ID Tag 2 | Write-on plastic labels | 70-750E8-1, 70-750E11-1 | — | 10 | 16-750/788FT-1 |
| Insulated Coil Bus Jumper System 3 | Wireless socket connection | 70-750DL8-1, 70-750DL11-1 | — | 10 | 16-750/788CBJ-1 |
| Extruded Aluminum DIN Rail, 1 m (39.37 in.) 4 | Quick installation and removal of sockets | 70-750DL8-1, 70-750E8-1, 70-464-1, 70-750E11-1, 70-750DL11-1, 70-465-1 | — | 10 | 16-700DIN |
| DIN Rail End Clip 4 | Holding the sockets firmly in place on a DIN rail | — | — | 10 | 16-DCLIP-1 |



783XCX Relay with
70-783D11-1A Socket and
16-783SC Spring Clip

- Socket Specifications42
- Mounting Adapter Specifications66

The following relay/socket combinations comprise a UL Listed assembly when used together. This added benefit allows for easier installation, since no end-use evaluations are required when using our relays or sockets with third-party components.

UL Listed Relay/Socket Combinations

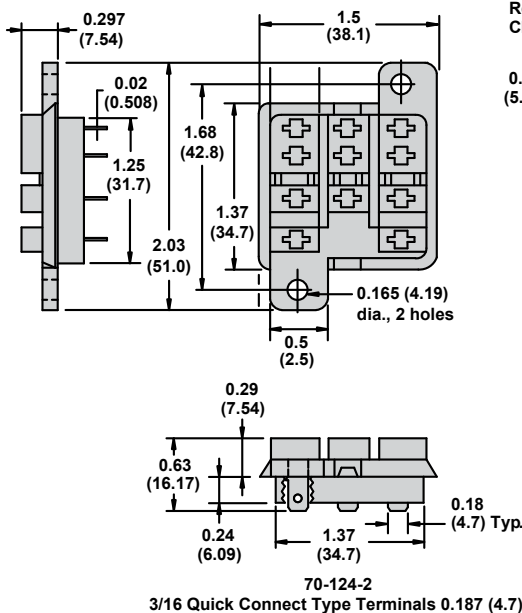
| Mating Relay(s) | Number of Socket Pins | Socket Part Number | |
|-----------------|-----------------------|--------------------|--------------|
| 781R | 5 | 70-781D5R-1A | |
| 782 | 8 | 70-782D8-1A | |
| | | 70-459-1 | |
| 792XBX | 8 | 70-782EL8-1 | |
| 792XDX | 14 | 70-782D14-1 | |
| | | 70-782E14-1 | |
| | | 70-782EL14-1 | |
| | | 70-461-1 | |
| 783 | 11 | 70-783D11-1A | |
| 784 | 14 | 70-784D14-1 | |
| | | 70-464-1 | |
| | | 70-750E8-1 | |
| | | 70-750EL8-1 | |
| | 8 | 70-750DL8-1 | |
| | | 11 | 70-465-1 |
| | | | 70-750E11-1 |
| | | | 70-750EL11-1 |
| 70-750DL11-1 | | | |
| 788R | 11 | 70-463-1 | |
| | | 70-788EL11-1 | |
| 782H | 14 | 70-782EL14-1 | |
| | | 70-782E14-1 | |
| | | 70-782D14-1 | |
| | | 70-461-1 | |
| 750H | 8 | 70-464-1 | |
| | | 70-750E8-1 | |
| | 11 | 70-465-1 | |
| | | 70-750E11-1 | |

Socket Specifications

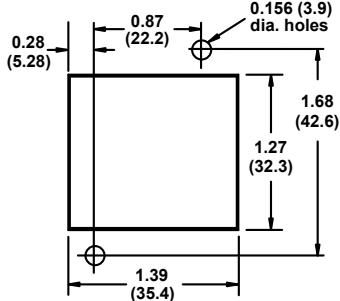
| Part Number | | 70-124-2 |
|-----------------------------|--------------------------|--------------------------------------|
| Contact Configuration | | 3PDT |
| Number of Terminals | | 11 |
| Mounting Style | | Panel / Chassis |
| Current Rating | | 15 A |
| Nominal Voltage Rating | | 300 V |
| Temperature Range | Storage | -40 to +105 °C (-40 to +221 °F) |
| | Operating | -40 to +55 °C (-40 to +131 °F) |
| Protection Category | | IP20 |
| Internal Metal Tracks | | Copper Alloy, Zinc Plated |
| Screw Terminals | | Copper Alloy, Zinc Plated |
| Screw Style | | — |
| Screw Size | | — |
| Maximum Screw Torque | | — |
| Terminal Connection | | Solder |
| Terminal Layout | | Mix |
| Maximum Wire Size | Solid Copper (Output) | 16 AWG, 1.0 mm ² |
| | Stranded Copper (Output) | 16 AWG, 1.0 mm ² |
| DIN Rail Mounting, EN 60715 | | — |
| Chassis Mount Screw Torque | | — |
| Flammability Rating | | 94V-0 |
| Weight | | 12.1 g (0.43 oz) |
| Agency Approvals | | UL (E70550), CE, CSA (LR40787), RoHS |

Dimensions, in. (mm)

70-124-2

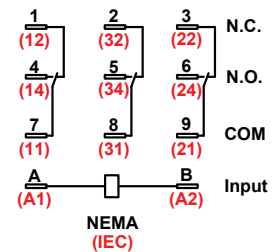


Recommended Chassis Cutout



Wiring Diagram

70-124-2

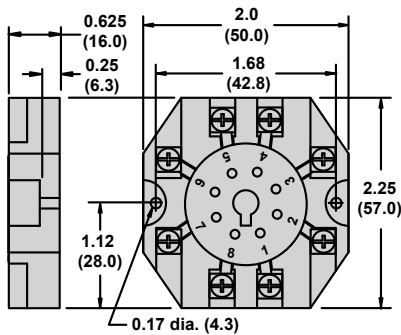


Socket Specifications

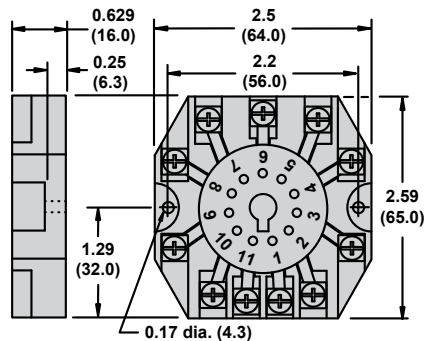
| Part Number | 70-169-1 | 70-170-1 |
|-----------------------------|--------------------------------------|--|
| Contact Configuration | DPDT | 3PDT |
| Number of Terminals | 8 | 11 |
| Mounting Style | Panel | Panel |
| Current Rating | 15 A | 15 A |
| Nominal Voltage Rating | 300 V | 300 V |
| Temperature Range | Storage | -40 to +105 °C (-40 to +221 °F) |
| | Operating | -40 to +55 °C (-40 to +131 °F) |
| Protection Category | — | — |
| Internal Metal Tracks | Copper Alloy, Zinc Plated | Copper Alloy, Zinc Plated |
| Screw Terminals | Steel, Zinc Plated | Steel, Zinc Plated |
| Screw Style | Combination Head | Combination Head |
| Screw Size | M3.5 mm | M3.5 mm |
| Maximum Screw Torque | 9 lb-in (1.0 N•m) | 9 lb-in (1.0 N•m) |
| Terminal Connection | Screw Clamping | Screw Clamping |
| Terminal Layout | Mix | Mix |
| Maximum Wire Size | Solid Copper | Two 14–12 AWG (two 2.5–4 mm ²) |
| | Stranded Copper | Two 14–12 AWG (two 2.5–4 mm ²) |
| DIN Rail Mounting, EN 60715 | 35 mm | 35 mm |
| Chassis Mount Screw Torque | 7 lb-in (0.8 N•m) | 7 lb-in (0.8 N•m) |
| Flammability Rating | 94V-0 | 94V-0 |
| Weight | 57 g (2.01 oz) | 57 g (2.01 oz) |
| Agency Approvals | UL (E70550), CE, CSA (LR97899), RoHS | UL (E70550), CE, CSA (LR97899), RoHS |

Dimensions, in. (mm)

70-169-1

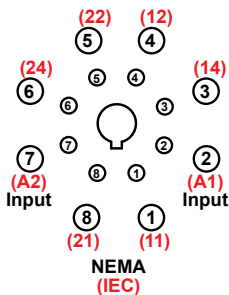


70-170-1

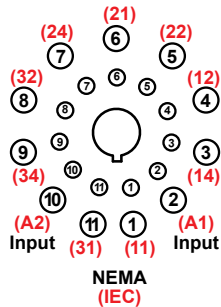


Wiring Diagrams

70-169-1



70-170-1

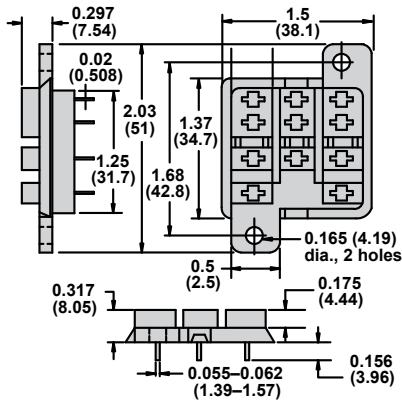


Socket Specifications

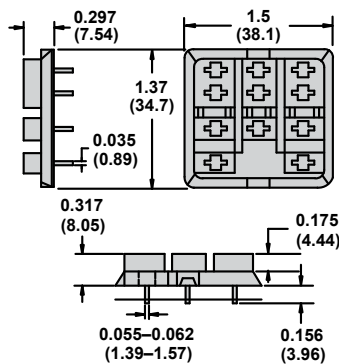
| Part Number | 70-178-1 | 70-178-2 |
|-----------------------------|--------------------------------------|--------------------------------------|
| Contact Configuration | 3PDT | 3PDT |
| Number of Terminals | 11 | 11 |
| Mounting Style | Panel / PCB | PCB |
| Current Rating | 15 A | 15 A |
| Nominal Voltage Rating | 300 V | 300 V |
| Temperature Range | Storage | -40 to +105 °C (-40 to +221 °F) |
| | Operating | -40 to +55 °C (-40 to +131 °F) |
| Protection Category | IP20 | IP20 |
| Internal Metal Tracks | Copper Alloy, Zinc Plated | Copper Alloy, Zinc Plated |
| Screw Terminals | Copper Alloy, Zinc Plated | Copper Alloy, Zinc Plated |
| Screw Style | — | — |
| Screw Size | — | — |
| Maximum Screw Torque | — | — |
| Terminal Connection | PCB | PCB |
| Terminal Layout | Mix | Mix |
| Maximum Wire Size | Solid Copper (Output) | 16 AWG, 1.0 mm ² |
| | Stranded Copper (Output) | 16 AWG, 1.0 mm ² |
| DIN Rail Mounting, EN 60715 | — | — |
| Chassis Mount Screw Torque | — | — |
| Flammability Rating | 94V-0 | 94V-0 |
| Weight | 12.1 g (0.43 oz) | 12.1 g (0.43 oz) |
| Agency Approvals | UL (E70550), CE, CSA (LR40787), RoHS | UL (E70550), CE, CSA (LR40787), RoHS |

Dimensions, in. (mm)

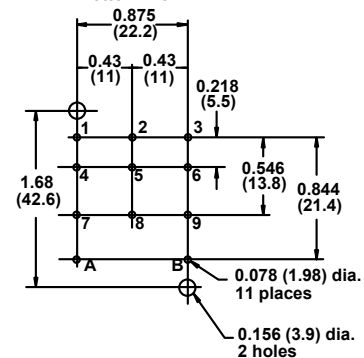
70-178-1



70-178-2

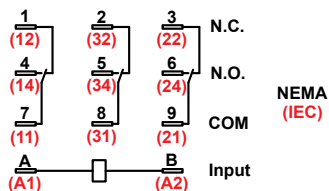


Recommended Circuit Board Layout
For 70-178-1 & 70-178-2
Bottom View



Wiring Diagram

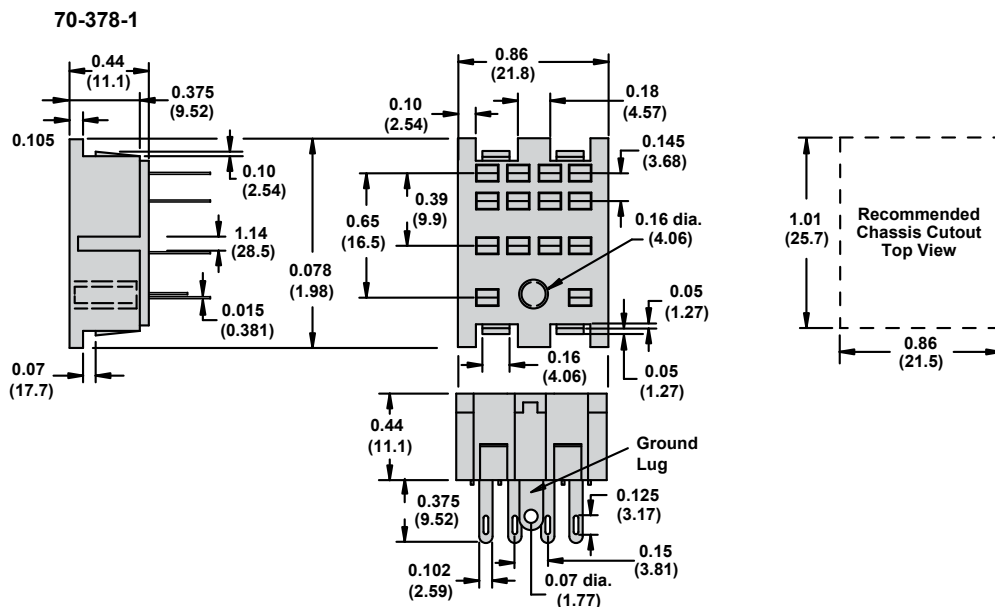
70-178-1 and 70-178-2



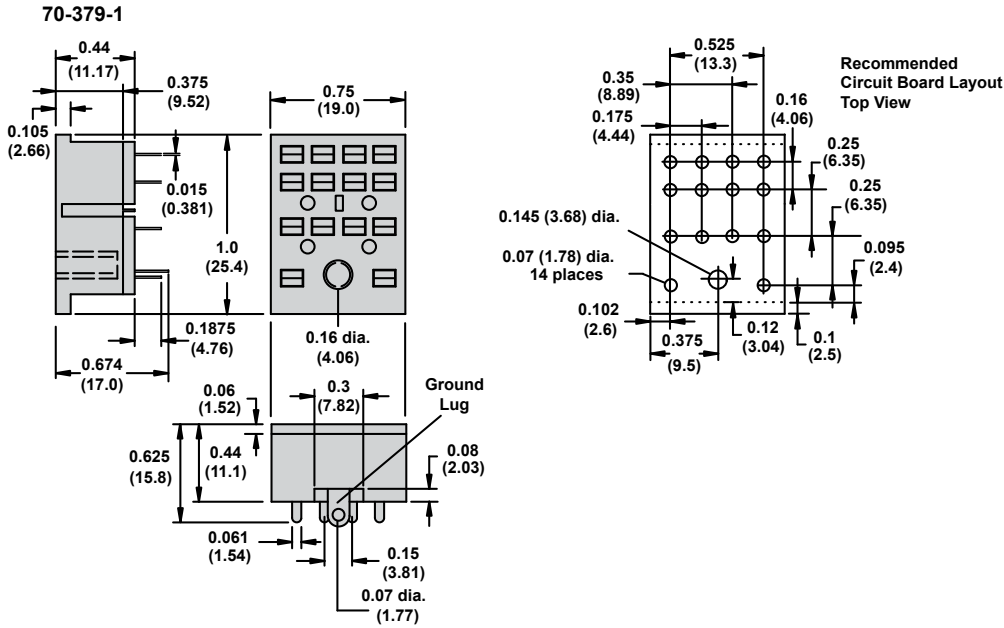
Socket Specifications

| Part Number | 70-378-1 | 70-379-1 |
|-----------------------------|--------------------------------------|--------------------------------------|
| Contact Configuration | 4PDT | 4PDT |
| Number of Terminals | 14 | 14 |
| Mounting Style | Chassis | PCB |
| Current Rating | 5 A | 5 A |
| Nominal Voltage Rating | 120 V | 120 V |
| Temperature Range | Storage | -40 to +105 °C (-40 to +221 °F) |
| | Operating | -40 to +55 °C (-40 to +131 °F) |
| Protection Category | — | — |
| Internal Metal Tracks | Copper Alloy, Zinc Plated | Copper Alloy, Zinc Plated |
| Screw Terminals | Copper Alloy, Zinc Plated | Copper Alloy, Zinc Plated |
| Screw Style | — | — |
| Screw Size | — | — |
| Maximum Screw Torque | — | — |
| Terminal Connection | Solder | PCB |
| Terminal Layout | Mix | Mix |
| Maximum Wire Size | Solid Copper (Output) | 18 AWG, 0.8 mm ² |
| | Stranded Copper (Output) | 18 AWG, 0.8 mm ² |
| DIN Rail Mounting, EN 60715 | 35 mm | — |
| Chassis Mount Screw Torque | 7 lb-in (0.8 N•m) | — |
| Flammability Rating | 94V-0 | 94V-0 |
| Weight | 6.2 g (0.22 oz) | 5.8 g (0.20 oz) |
| Agency Approvals | UL (E70550), CE, CSA (LR40787), RoHS | UL (E70550), CE, CSA (LR40787), RoHS |

Dimensions, in. (mm)

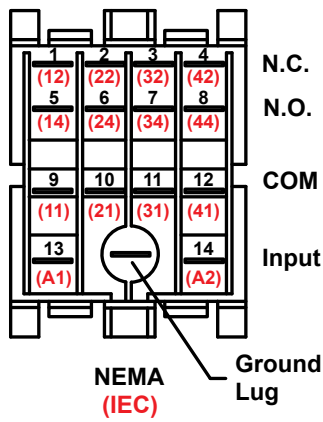


Dimensions, in. (mm)

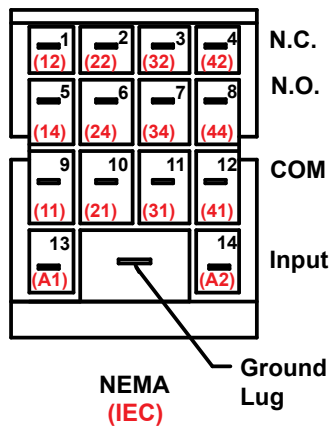


Wiring Diagrams

70-378-1



70-379-1

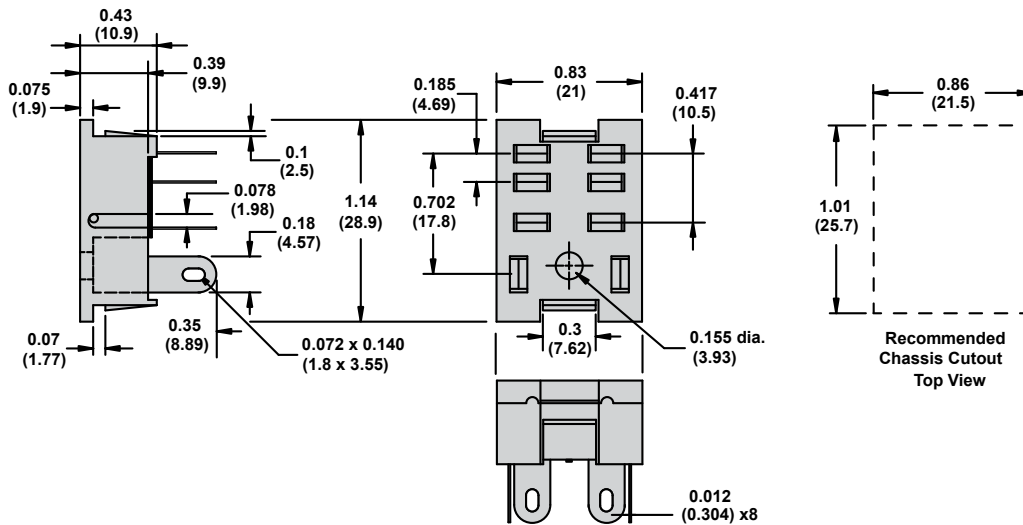


Socket Specifications

| Part Number | 70-401-1 | 70-402-1 |
|-----------------------------|---------------------------|---------------------------------|
| Contact Configuration | DPDT | DPDT |
| Number of Terminals | 8 | 8 |
| Mounting Style | Chassis | PCB |
| Current Rating | 10 A | 10 A |
| Nominal Voltage Rating | 300 V | 300 V |
| Temperature Range | Storage | -40 to +105 °C (-40 to +221 °F) |
| | Operating | -40 to +55 °C (-40 to +131 °F) |
| Protection Category | — | — |
| Internal Metal Tracks | Copper Alloy, Zinc Plated | Copper Alloy, Zinc Plated |
| Screw Terminals | Copper Alloy, Zinc Plated | Copper Alloy, Zinc Plated |
| Screw Style | Combination Head | — |
| Screw Size | M3.5 mm | — |
| Maximum Screw Torque | 9 lb-in (1.0 N•m) | — |
| Terminal Connection | Solder | PCB |
| Terminal Layout | Mix | Mix |
| Maximum Wire Size | Solid Copper (Output) | 18 AWG, 0.8 mm ² |
| | Stranded Copper (Output) | 18 AWG, 0.8 mm ² |
| DIN Rail Mounting, EN 60715 | — | — |
| Chassis Mount Screw Torque | 7 lb-in (0.8 N•m) | — |
| Flammability Rating | 94V-0 | 94V-0 |
| Weight | 6.2 g (0.22 oz) | 6.5 g (0.23 oz) |
| Agency Approvals | UL (E70550), CE, RoHS | UL (E70550), CE, RoHS |

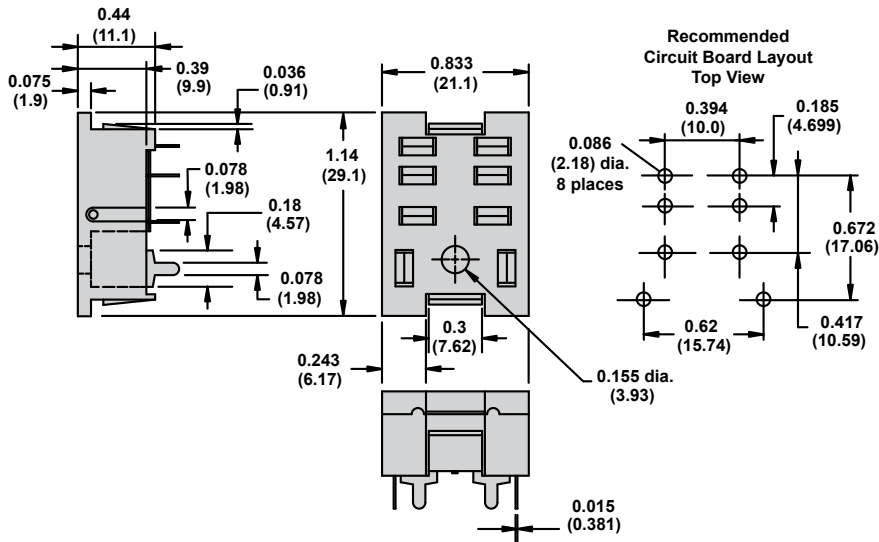
Dimensions, in. (mm)

70-401-1



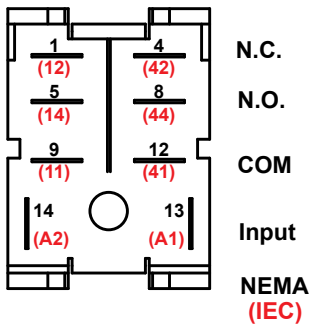
Dimensions, in. (mm)

70-402-1

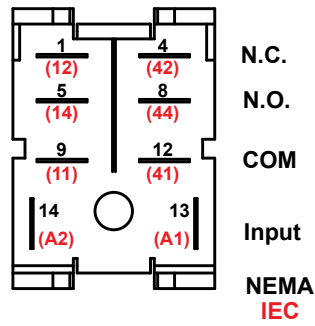


Wiring Diagrams

70-401-1



70-402-1

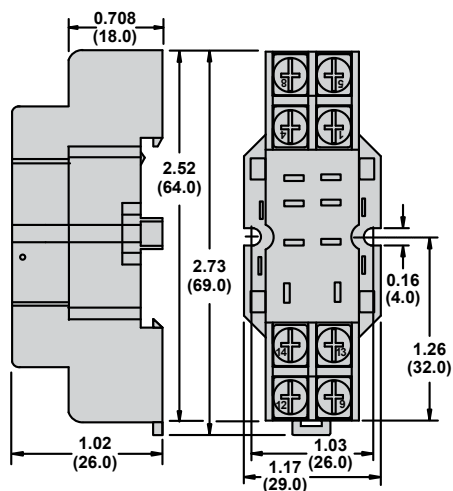


Socket Specifications

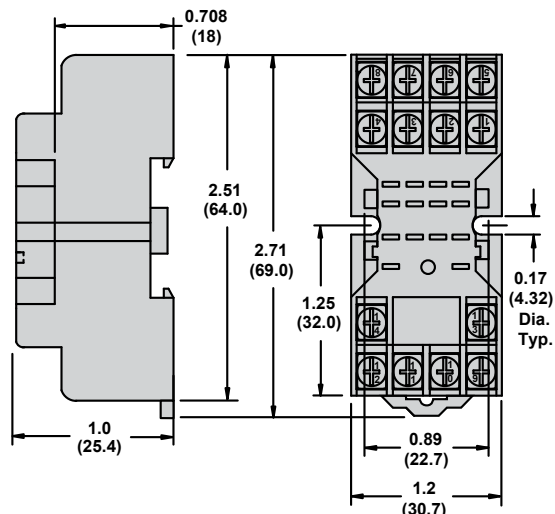
| Part Number | 70-459-1 | 70-461-1 | 70-463-1 |
|-----------------------------|--------------------------------------|--|--|
| Contact Configuration | DPDT | 4PDT | 3PDT |
| Number of Terminals | 8 | 14 | 11 |
| Mounting Style | Panel or DIN rail | Panel or DIN rail | Panel or DIN rail |
| Current Rating | 10 A | 10 A | 15 A |
| Nominal Voltage Rating | 300 V | 300 V | 300 V |
| Temperature Range | Storage | -40 to +105 °C (-40 to +221 °F) | -40 to +105 °C (-40 to +221 °F) |
| | Operating | -40 to +55 °C (-40 to +131 °F) | -40 to +70 °C (-40 to +158 °F) |
| Protection Category | — | — | — |
| Internal Metal Tracks | Copper Alloy, Zinc Plated | Copper Alloy, Zinc Plated | Copper Alloy, Zinc Plated |
| Screw Terminals | Steel, Zinc Plated | Steel, Zinc Plated | Steel, Zinc Plated |
| Screw Style | Combination Head | Combination Head | Combination Head |
| Screw Size | M3.5 mm | M3 mm | M3.5 mm |
| Maximum Screw Torque | 9 lb-in (1.0 N•m) | 7 lb-in (0.8 N•m) | 9 lb-in (1.0 N•m) |
| Terminal Connection | Screw Clamping | Screw Clamping | Screw Clamping |
| Terminal Layout | Mix | Mix | Mix |
| Maximum Wire Size | Solid Copper | Two 14–12 AWG (two 2.5–4 mm ²) | Two 14–12 AWG (two 2.5–4 mm ²) |
| | Stranded Copper | Two 14–12 AWG (two 2.5–4 mm ²) | Two 16–14 AWG (two 1.5–2.5 mm ²) |
| DIN Rail Mounting, EN 60715 | 35 mm | 35 mm | 35 mm |
| Chassis Mount Screw Torque | 7 lb-in (0.8 N•m) | 7 lb-in (0.8 N•m) | 7 lb-in (0.8 N•m) |
| Flammability Rating | 94V-0 | 94V-0 | 94V-0 |
| Weight | 50 g (1.76 oz) | 50 g (1.76 oz) | 51 g (1.79 oz) |
| Agency Approvals | UL (E70550), CE, CSA (LR97899), RoHS | UL (E70550), CE, CSA (LR97899), RoHS | UL (E70550), CE, CSA (LR97899), RoHS |

Dimensions, in. (mm)

70-459-1

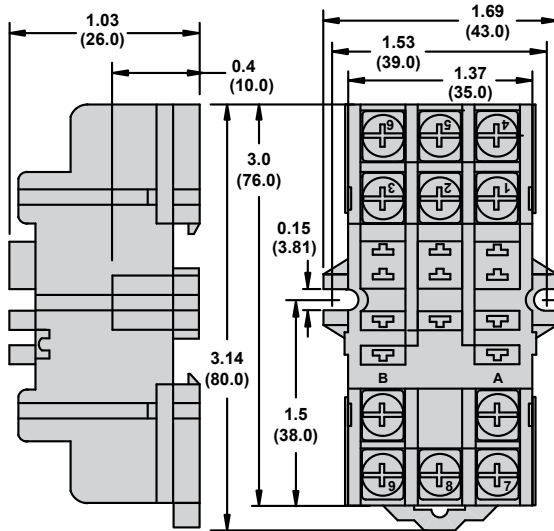


70-461-1



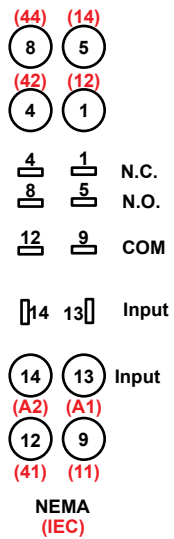
Dimensions, in. (mm)

70-463-1

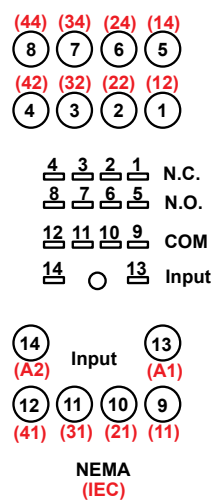


Wiring Diagrams

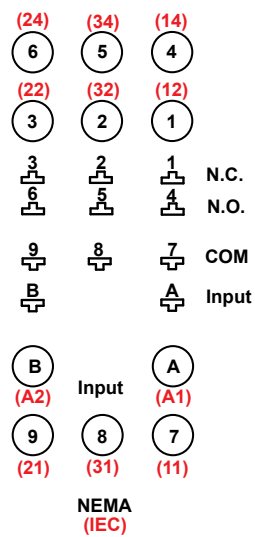
70-459-1



70-461-1



70-463-1

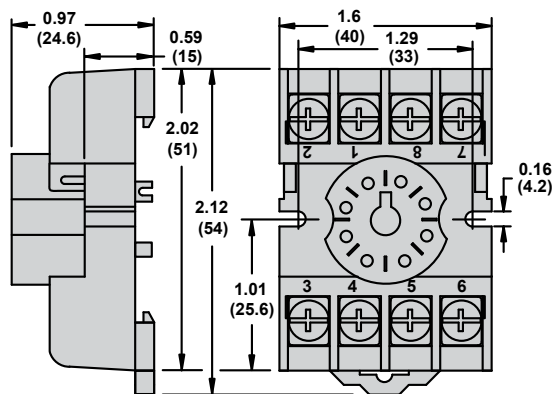


Socket Specifications

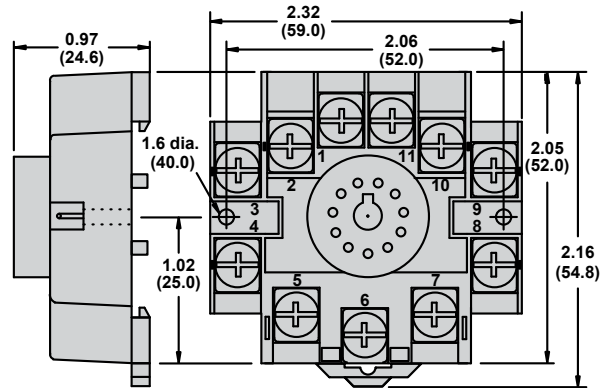
| Part Number | 70-464-1 | 70-465-1 |
|-----------------------------|--------------------------------------|--|
| Contact Configuration | DPDT | 3PDT |
| Number of Terminals | 8 | 11 |
| Mounting Style | Panel or DIN rail | Panel or DIN rail |
| Current Rating | 15 / 10 A | 15 / 5 A |
| Nominal Voltage Rating | 300 / 600 V | 300 / 600 V |
| Temperature Range | Storage | -40 to +105 °C (-40 to +221 °F) |
| | Operating | -40 to +55 °C (-40 to +131 °F) |
| Protection Category | — | — |
| Internal Metal Tracks | Copper Alloy, Zinc Plated | Copper Alloy, Zinc Plated |
| Screw Terminals | Steel, Zinc Plated | Steel, Zinc Plated |
| Screw Style | Combination Head | Combination Head |
| Screw Size | M3.5 mm | M3.5 mm |
| Maximum Screw Torque | 9 lb-in (1.0 N•m) | 9 lb-in (1.0 N•m) |
| Terminal Connection | Screw Clamping | Screw Clamping |
| Terminal Layout | Mix | Mix |
| Maximum Wire Size | Solid Copper | Two 14–12 AWG (two 2.5–4 mm ²) |
| | Stranded Copper | Two 14–12 AWG (two 2.5–4 mm ²) |
| DIN Rail Mounting, EN 60715 | 35 mm | 35 mm |
| Chassis Mount Screw Torque | 7 lb-in (0.8 N•m) | 7 lb-in (0.8 N•m) |
| Flammability Rating | 94V-0 | 94V-0 |
| Weight | 40 g (1.41 oz) | 57 g (2.01 oz) |
| Agency Approvals | UL (E70550), CE, CSA (LR97899), RoHS | UL (E70550), CE, CSA (LR97899), RoHS |

Dimensions, in. (mm)

70-464-1

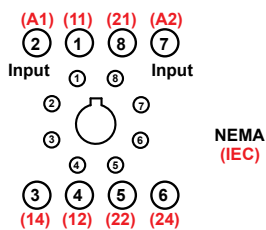


70-465-1

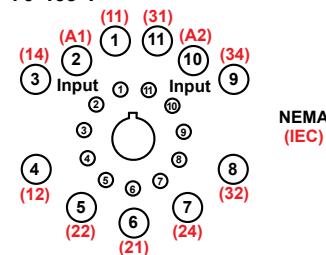


Wiring Diagrams

70-464-1



70-465-1

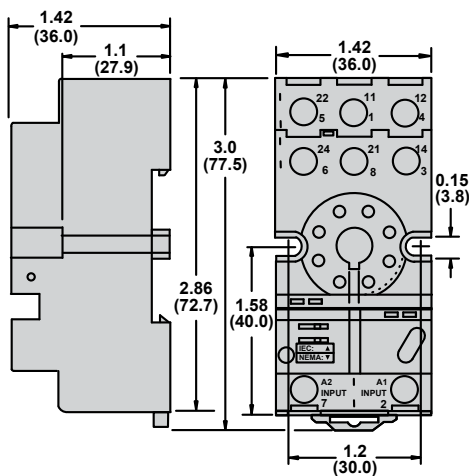


Socket Specifications

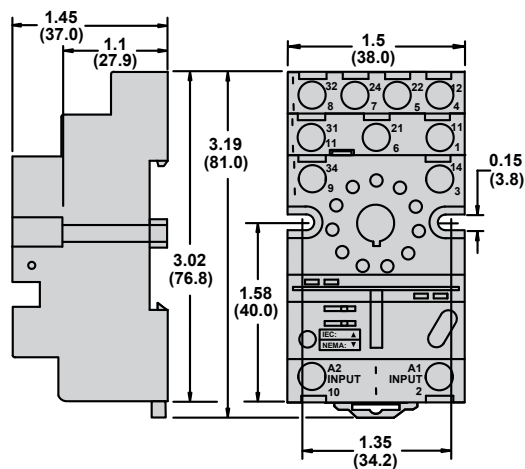
| Part Number | 70-750DL8-1 | 70-750DL11-1 |
|-----------------------------|--------------------------------------|--|
| Contact Configuration | DPDT | 3PDT |
| Number of Terminals | 8 | 11 |
| Mounting Style | Panel or DIN rail | Panel or DIN rail |
| Current Rating | 16 A | 16 A |
| Nominal Voltage Rating | 300 V | 600 V |
| Temperature Range | Storage | -40 to +105 °C (-40 to +221 °F) |
| | Operating | -40 to +55 °C (-40 to +131 °F) |
| Protection Category | IP20 | IP20 |
| Internal Metal Tracks | Copper Alloy, Zinc Plated | Copper Alloy, Zinc Plated |
| Screw Terminals | Steel, Zinc Plated | Steel, Zinc Plated |
| Screw Style | Combination Head | Combination Head |
| Screw Size | M3.5 mm | M3.5 mm |
| Maximum Screw Torque | 9 lb-in (1.0 N•m) | 9 lb-in (1.0 N•m) |
| Terminal Connection | Screw Clamping | Screw Clamping |
| Terminal Layout | Mix | Mix |
| Maximum Wire Size | Solid Copper | Two 14–12 AWG (two 2.5–4 mm ²) |
| | Stranded Copper | Two 14–12 AWG (two 2.5–4 mm ²) |
| DIN Rail Mounting, EN 60715 | 35 mm | 35 mm |
| Chassis Mount Screw Torque | 7 lb-in (0.8 N•m) | 7 lb-in (0.8 N•m) |
| Flammability Rating | 94V-0 | 94V-0 |
| Weight | 60 g (2.12 oz) | 78 g (2.75 oz) |
| Agency Approvals | UL (E70550), CE, CSA (LR40787), RoHS | UL (E70550), CE, CSA (LR40787), RoHS |

Dimensions, in. (mm)

70-750DL8-1

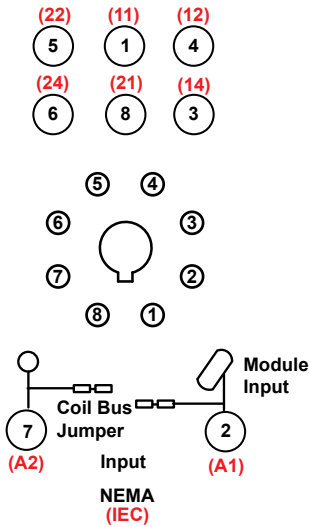


70-750DL11-1

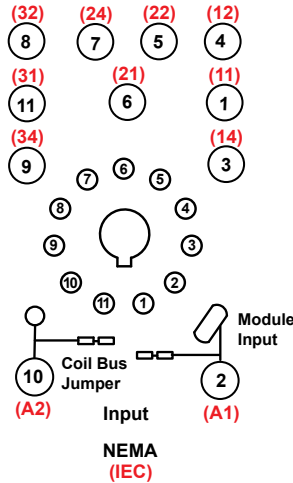


Wiring Diagrams

70-750DL8-1



70-750DL11-1

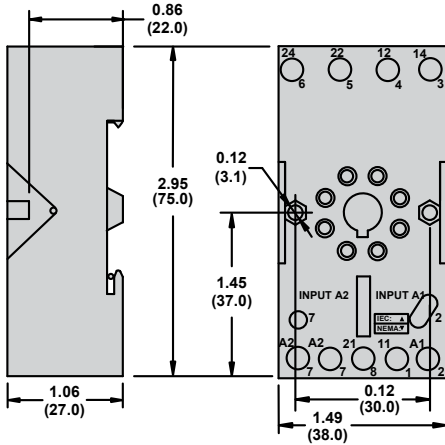


Socket Specifications

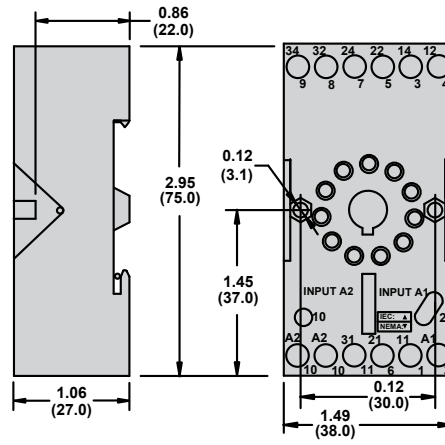
| Part Number | 70-750E8-1 | 70-750E11-1 |
|-----------------------------|--------------------------------------|--|
| Contact Configuration | DPDT | 3PDT |
| Number of Terminals | 8 | 11 |
| Mounting Style | Panel or DIN rail | Panel or DIN rail |
| Current Rating | 12 A | 12 A |
| Nominal Voltage Rating | 300 V | 300 V |
| Temperature Range | Storage | -40 to +105 °C (-40 to +221 °F) |
| | Operating | -40 to +55 °C (-40 to +131 °F) |
| Protection Category | IP20 | IP20 |
| Internal Metal Tracks | Copper Alloy, Zinc Plated | Copper Alloy, Zinc Plated |
| Screw Terminals | Steel, Zinc Plated | Steel, Zinc Plated |
| Screw Style | Combination Head | Combination Head |
| Screw Size | M3.5 mm | M3.5 mm |
| Maximum Screw Torque | 9 lb-in (1.0 N•m) | 9 lb-in (1.0 N•m) |
| Terminal Connection | Elevator | Elevator |
| Terminal Layout | Separate | Separate |
| Maximum Wire Size | Solid Copper | Two 14–12 AWG (two 2.5–4 mm ²) |
| | Stranded Copper | Two 14–12 AWG (two 2.5–4 mm ²) |
| DIN Rail Mounting, EN 60715 | 35 mm | 35 mm |
| Chassis Mount Screw Torque | 7 lb-in (0.8 N•m) | 7 lb-in (0.8 N•m) |
| Flammability Rating | 94V-0 | 94V-0 |
| Weight | 85 g (3.0 oz) | 85 g (3.0 oz) |
| Agency Approvals | UL (E70550), CE, CSA (LR40787), RoHS | UL (E70550), CE, CSA (LR40787), RoHS |

Dimensions, in. (mm)

70-750E8-1

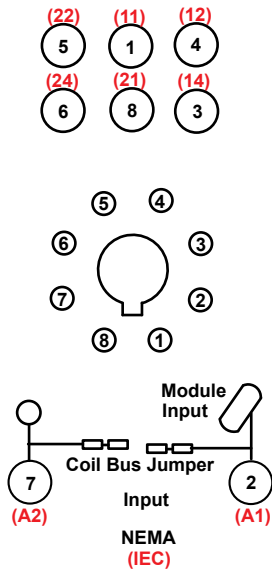


70-750E11-1

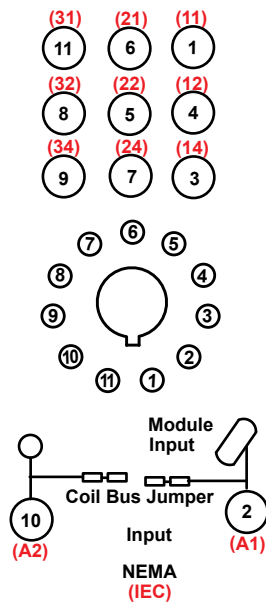


Wiring Diagrams

70-750EL8-1



70-750EL11-1

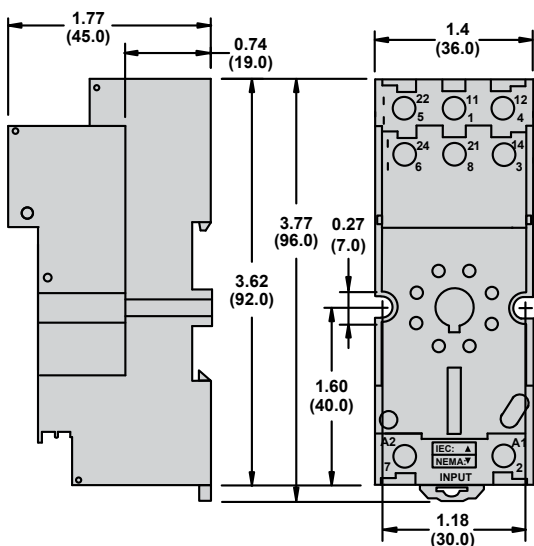


Socket Specifications

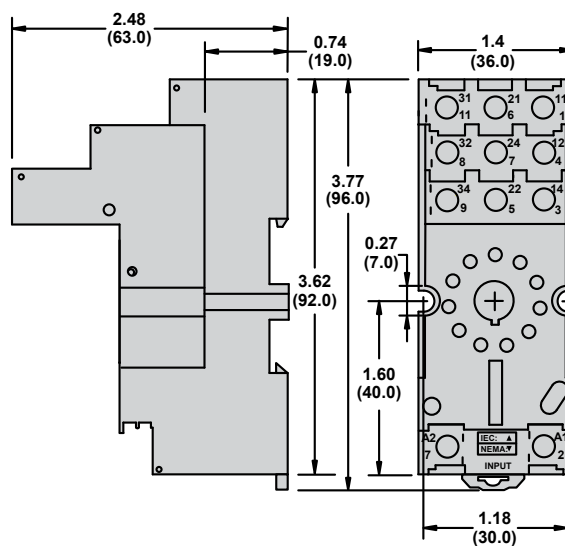
| Part Number | 70-750EL8-1 | 70-750EL11-1 |
|-----------------------------|--------------------------------------|--|
| Contact Configuration | DPDT | 3PDT |
| Number of Terminals | 8 | 11 |
| Mounting Style | Panel or DIN rail | Panel or DIN rail |
| Current Rating | 16 A | 16 A |
| Nominal Voltage Rating | 300 V | 300 V |
| Temperature Range | Storage | -40 to +105 °C (-40 to +221 °F) |
| | Operating | -40 to +55 °C (-40 to +131 °F) |
| Protection Category | IP20 | IP20 |
| Internal Metal Tracks | Copper Alloy, Zinc Plated | Copper Alloy, Zinc Plated |
| Screw Terminals | Steel, Zinc Plated | Steel, Zinc Plated |
| Screw Style | Combination Head | Combination Head |
| Screw Size | M3.5 mm | M3.5 mm |
| Maximum Screw Torque | 9 lb-in (1.0 N•m) | 9 lb-in (1.0 N•m) |
| Terminal Connection | Elevator | Elevator |
| Terminal Layout | Separate | Separate |
| Maximum Wire Size | Solid Copper | Two 14–12 AWG (two 2.5–4 mm ²) |
| | Stranded Copper | Two 14–12 AWG (two 2.5–4 mm ²) |
| DIN Rail Mounting, EN 60715 | 35 mm | 35 mm |
| Chassis Mount Screw Torque | 7 lb-in (0.8 N•m) | 7 lb-in (0.8 N•m) |
| Flammability Rating | 94V-0 | 94V-0 |
| Weight | 79 g (2.79 oz) | 79 g (2.79 oz) |
| Agency Approvals | UL (E70550), CE, CSA (LR40787), RoHS | UL (E70550), CE, CSA (LR40787), RoHS |

Dimensions, in. (mm)

70-750EL8-1

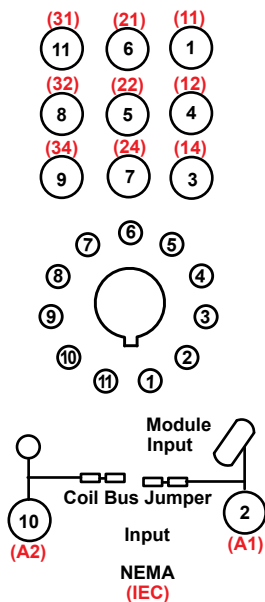


70-750EL11-1

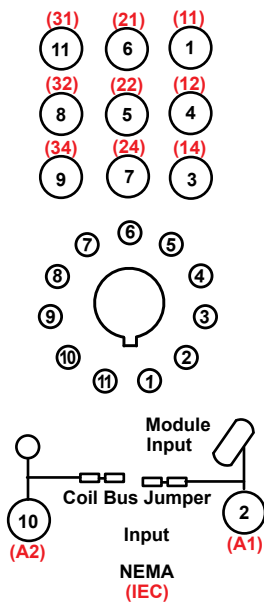


Wiring Diagrams

70-750EL11-1



70-750EL11-1

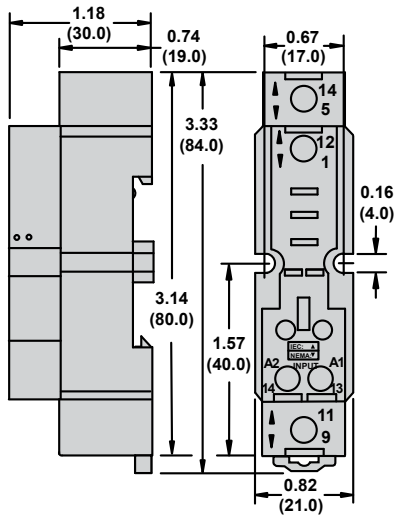


Socket Specifications

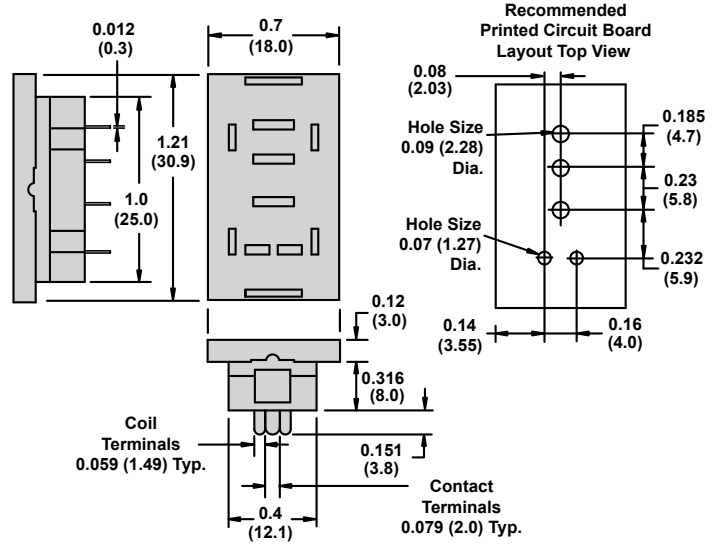
| Part Number | 70-781D5R-1A | 70-781T-1 |
|-----------------------------|---|---------------------------------|
| Contact Configuration | SPDT | SPDT |
| Number of Terminals | 5 | 5 |
| Mounting Style | Panel or DIN rail | PCB |
| Current Rating | 16 A | 10 A |
| Nominal Voltage Rating | 300 V | 300 V |
| Temperature Range | | |
| Storage | -40 to +85 °C (-40 to +185 °F) | -40 to +105 °C (-40 to +221 °F) |
| Operating | -40 to +55 °C (-40 to +131 °F) | -40 to +55 °C (-40 to +131 °F) |
| Protection Category | IP20 | — |
| Internal Metal Tracks | Copper Alloy, Zinc Plated | Copper Alloy, Zinc Plated |
| Screw Terminals | Steel, Zinc Plated | Copper Alloy, Zinc Plated |
| Screw Style | Combination Head | — |
| Screw Size | M3 mm / M3.5 mm | — |
| Maximum Screw Torque | | |
| M3 | 7 lb-in (0.8 N•m) | |
| M3.5 | 9 lb-in (1.0 N•m) | |
| Terminal Connection | Screw Clamping | PCB |
| Terminal Layout | Mix | Mix |
| Maximum Wire Size | | |
| Solid Copper | Two 12 AWG (two 4 mm ²) without cable end | — |
| Stranded Copper | Two 14 AWG (two 2.5 mm ²) with cable end | — |
| DIN Rail Mounting, EN 60715 | 35 mm | — |
| Chassis Mount Screw Torque | 7 lb-in (0.8 N•m) | — |
| Flammability Rating | 94V-0 | 94V-0 |
| Weight | 31 g (1.09 oz) | 18 g (0.63 oz) |
| Agency Approvals | UL (E70550), CE, CSA (168986), RoHS | UL (E70550), CE, RoHS |

Dimensions, in. (mm)

70-781D5R-1A

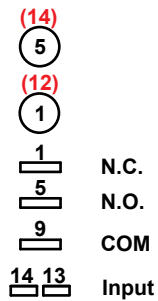


70-781T-1



Wiring Diagrams

70-781D5R-1A



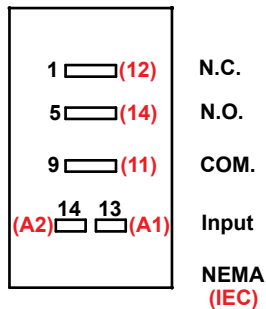
① ① Module Input

(A2) ①① (A1) Input

① 9

NEMA (IEC)

70-781T-1

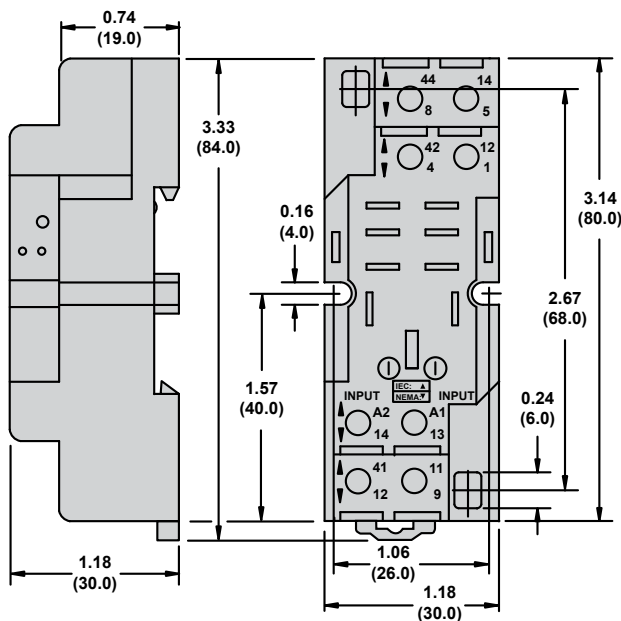


Socket Specifications

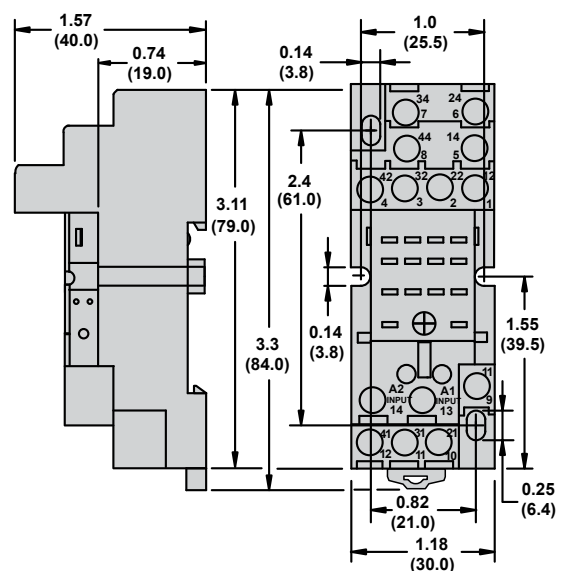
| Part Number | | 70-782D8-1A | 70-782D14-1 |
|-----------------------------|-----------------|--|--|
| Contact Configuration | | DPDT | 4PDT |
| Number of Terminals | | 8 | 14 |
| Mounting Style | | Panel or DIN rail | Panel or DIN rail |
| Current Rating | | 16 A | 10 A |
| Nominal Voltage Rating | | 300 V | 300 V |
| Temperature Range | Storage | -40 to +105 °C (-40 to +221 °F) | -40 to +105 °C (-40 to +221 °F) |
| | Operating | -40 to +55 °C (-40 to +131 °F) | -40 to +70 °C (-40 to +158 °F) |
| Protection Category | | IP20 | IP20 |
| Internal Metal Tracks | | Copper Alloy, Zinc Plated | Copper Alloy, Zinc Plated |
| Screw Terminals | | Steel, Zinc Plated | Steel, Zinc Plated |
| Screw Style | | Combination Head | Combination Head |
| Screw Size | | M3.5 mm | M3 mm |
| Maximum Screw Torque | | 9 lb-in (1.0 N•m) | 7 lb-in (0.8 N•m) |
| Terminal Connection | | Screw Clamping | Screw Clamping |
| Terminal Layout | | Mix | Mix |
| Maximum Wire Size | Solid Copper | Two 14–12 AWG (two 2.5–4 mm ²) | Two 14–12 AWG (two 2.5–4 mm ²) |
| | Stranded Copper | Two 14–12 AWG (two 2.5–4 mm ²) | Two 14–12 AWG (two 2.5–4 mm ²) |
| DIN Rail Mounting, EN 60715 | | 35 mm | 35 mm |
| Chassis Mount Screw Torque | | 7 lb-in (0.8 N•m) | 7 lb-in (0.8 N•m) |
| Flammability Rating | | 94V-0 | 94V-0 |
| Weight | | 55 g (1.94 oz) | 62 g (2.19 oz) |
| Agency Approvals | | UL (E70550), CE, CSA (LR40787), RoHS | UL (E70550), CE, CSA (LR40787), RoHS |

Dimensions, in. (mm)

70-782D8-1A

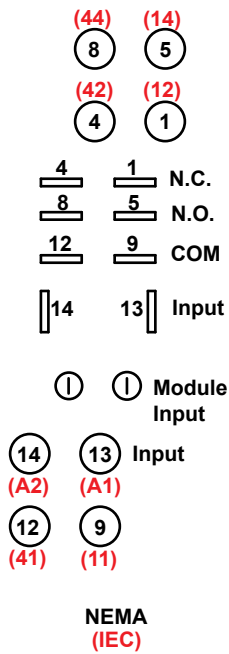


70-782D14-1

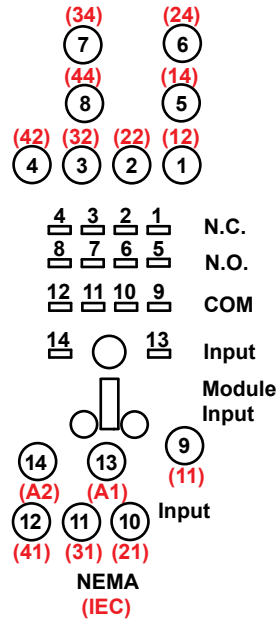


Wiring Diagrams

70-782D8-1A



70-782D14-1



SE Relays General Purpose Relays

Socket Specifications

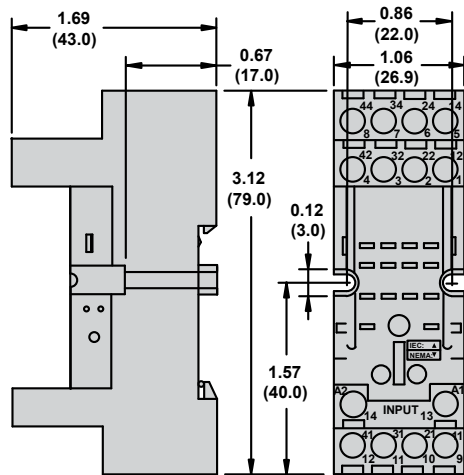
70-782E14-1 and 70-782EL8-1

Socket Specifications

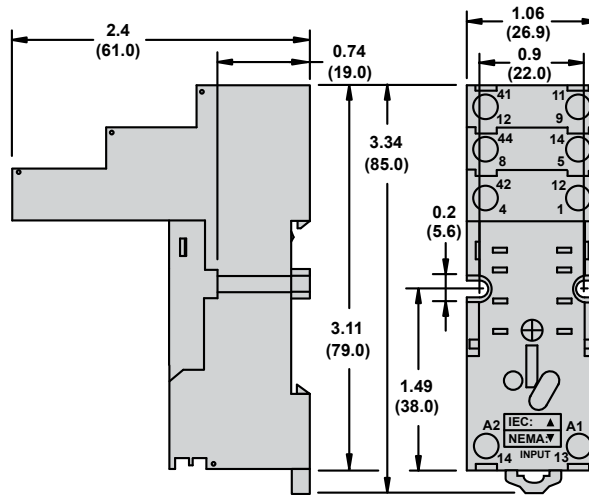
| Part Number | 70-782E14-1 | 70-782EL8-1 |
|-----------------------------|-------------------------------------|--|
| Contact Configuration | 4PDT | DPDT |
| Number of Terminals | 14 | 8 |
| Mounting Style | Panel or DIN rail | Panel or DIN rail |
| Current Rating | 10 A | 12 A |
| Nominal Voltage Rating | 300 V | 300 V |
| Temperature Range | Storage | -40 to +105 °C (-40 to +221 °F) |
| | Operating | -40 to +70 °C (-40 to +158 °F) |
| Protection Category | IP20 | IP20 |
| Internal Metal Tracks | Copper Alloy, Zinc Plated | Copper Alloy, Zinc Plated |
| Screw Terminals | Steel, Zinc Plated | Steel, Zinc Plated |
| Screw Style | Combination Head | Combination Head |
| Screw Size | M3 mm | M3.5 mm |
| Maximum Screw Torque | 7 lb-in (0.8 N•m) | 9 lb-in (1.0 N•m) |
| Terminal Connection | Elevator | Elevator |
| Terminal Layout | Separate | Separate |
| Maximum Wire Size | Solid Copper | Two 16–14 AWG (two 1.5–2.5 mm ²) |
| | Stranded Copper | Two 16–14 AWG (two 1.5–2.5 mm ²) |
| DIN Rail Mounting, EN 60715 | 35 mm | 35 mm |
| Chassis Mount Screw Torque | 7 lb-in (0.8 N•m) | 7 lb-in (0.8 N•m) |
| Flammability Rating | 94V-0 | 94V-0 |
| Weight | 56 g (1.98 oz) | 46 g (1.62 oz) |
| Agency Approvals | UL (E70550) CE, CSA (LR40787), RoHS | UL (E70550), CE, CSA (LR40787), RoHS |

Dimensions, in. (mm)

70-782E14-1

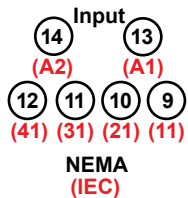
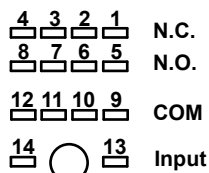


70-782EL8-1

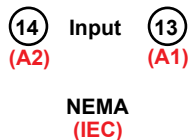
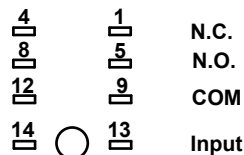
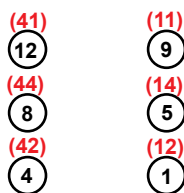


Wiring Diagrams

70-782E14-1



70-782EL8-1

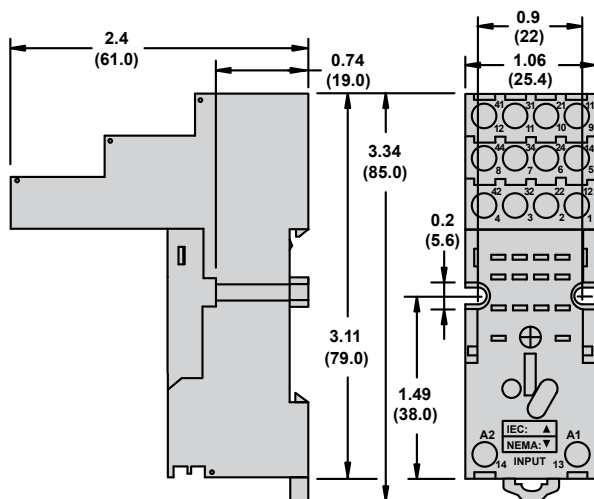


Socket Specifications

| Part Number | | 70-782EL14-1 |
|-----------------------------|-----------------|--|
| Contact Configuration | | 4PDT |
| Number of Terminals | | 14 |
| Mounting Style | | Panel or DIN rail |
| Current Rating | | 10 A |
| Nominal Voltage Rating | | 300 V |
| Temperature Range | Storage | -40 to +105 °C (-40 to +221 °F) |
| | Operating | -40 to +70 °C (-40 to +158 °F) |
| Protection Category | | IP20 |
| Internal Metal Tracks | | Copper Alloy, Zinc Plated |
| Screw Terminals | | Steel, Zinc Plated |
| Screw Style | | Combination Head |
| Screw Size | | M3 mm |
| Maximum Screw Torque | | 7 lb-in (0.8 N·m) |
| Terminal Connection | | Elevator |
| Terminal Layout | | Separate |
| Maximum Wire Size | Solid Copper | Two 16–14 AWG (two 1.5–2.5 mm ²) |
| | Stranded Copper | Two 16–14 AWG (two 1.5–2.5 mm ²) |
| DIN Rail Mounting, EN 60715 | | 35 mm |
| Chassis Mount Screw Torque | | 7 lb-in (0.8 N·m) |
| Flammability Rating | | 94V-0 |
| Weight | | 62 g (2.19 oz) |
| Agency Approvals | | UL (E70550), CE, CSA (LR40787), RoHS |

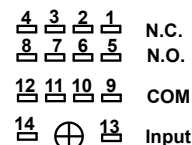
Dimensions, in. (mm)

70-782EL14-1



Wiring Diagram

70-782EL14-1



NEMA
(IEC)

SE Relays General Purpose Relays

Socket Specifications

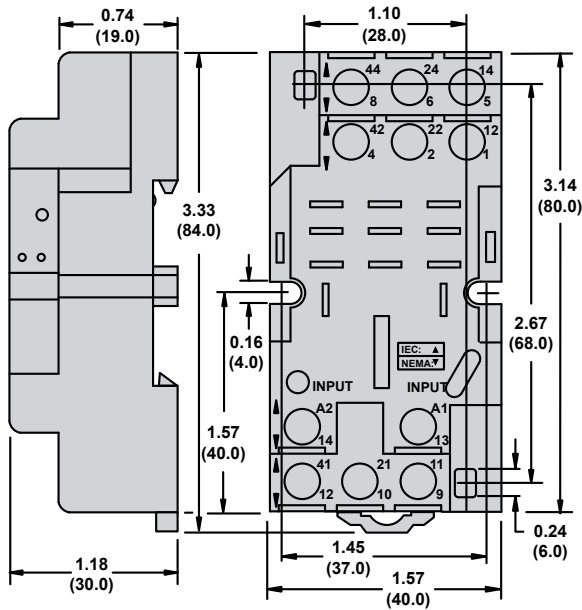
70-783D11-1A and 70-784D14-1

Socket Specifications

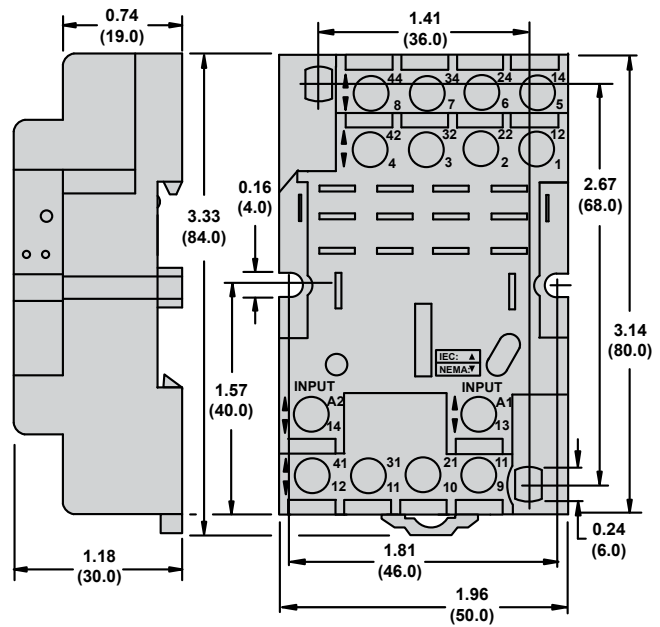
| Part Number | | 70-783D11-1A | 70-784D14-1 |
|-----------------------------|-----------------|--|--|
| Contact Configuration | | 3PDT | 4PDT |
| Number of Terminals | | 11 | 14 |
| Mounting Style | | Panel or DIN rail | Panel or DIN rail |
| Current Rating | | 16 A | 16 A |
| Nominal Voltage Rating | | 300 V | 300 V |
| Temperature Range | Storage | -40 to +105 °C (-40 to +221 °F) | -40 to +105 °C (-40 to +221 °F) |
| | Operating | -40 to +55 °C (-40 to +131 °F) | -40 to +55 °C (-40 to +131 °F) |
| Protection Category | | IP20 | IP20 |
| Internal Metal Tracks | | Copper Alloy, Zinc Plated | Copper Alloy, Zinc Plated |
| Screw Terminals | | Steel, Zinc Plated | Steel, Zinc Plated |
| Screw Style | | Combination Head | Combination Head |
| Screw Size | | M3.5 mm | M3.5 mm |
| Maximum Screw Torque | | 9 lb-in (1.0 N•m) | 9 lb-in (1.0 N•m) |
| Terminal Connection | | Screw Clamping | Screw Clamping |
| Terminal Layout | | Mix | Mix |
| Maximum Wire Size | Solid Copper | Two 14–12 AWG (two 2.5–4 mm ²) | Two 14–12 AWG (two 2.5–4 mm ²) |
| | Stranded Copper | Two 14–12 AWG (two 2.5–4 mm ²) | Two 14–12 AWG (two 2.5–4 mm ²) |
| DIN Rail Mounting, EN 60715 | | 35 mm | 35 mm |
| Chassis Mount Screw Torque | | 7 lb-in (0.8 N•m) | 7 lb-in (0.8 N•m) |
| Flammability Rating | | 94V-0 | 94V-0 |
| Weight | | 55 g (1.94oz) | 62 g (2.19 oz) |
| Agency Approvals | | CE, RoHS, UL (E70550), CSA (LR40787) | CE, RoHS, UL (E70550), CSA (LR40787) |

Dimensions, in. (mm)

70-783D11-1A

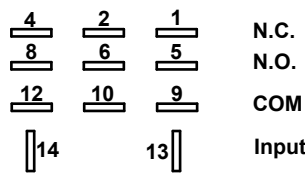
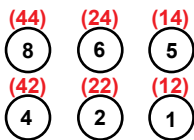


70-784D14-1

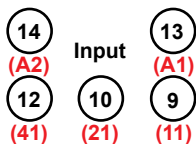


Wiring Diagrams

70-783D11-1A

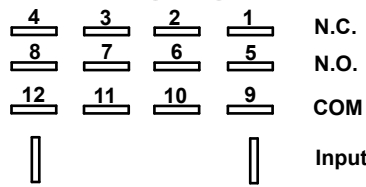
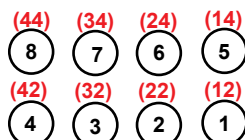


N.C.
N.O.
COM
Input

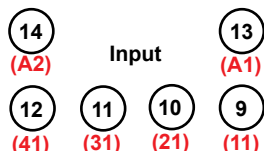


NEMA
(IEC)

70-784D14-1



N.C.
N.O.
COM
Input



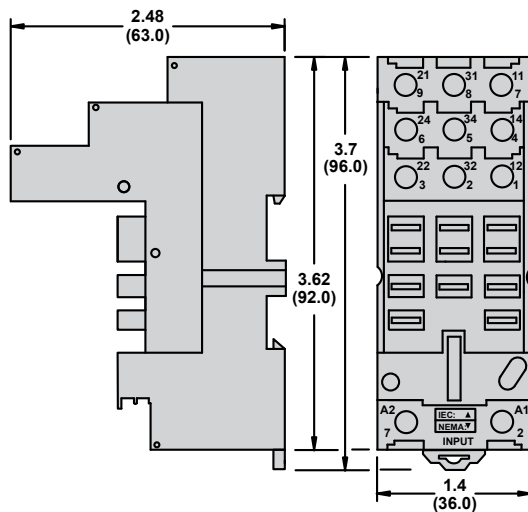
NEMA
(IEC)

Socket Specifications

| Part Number | | 70-788EL11-1 |
|-----------------------------|-----------------|--------------------------------------|
| Contact Configuration | | 3PDT |
| Number of Terminals | | 11 |
| Mounting Style | | DIN rail |
| Current Rating | | 25 A |
| Nominal Voltage Rating | | 300 V |
| Temperature Range | Storage | -40 to +105 °C (-40 to +221 °F) |
| | Operating | -40 to +55 °C (-40 to +131 °F) |
| Protection Category | | IP20 |
| Internal Metal Tracks | | Copper Alloy, Zinc Plated |
| Screw Terminals | | Steel, Zinc Plated |
| Screw Style | | Combination Head |
| Screw Size | | M3.5 mm |
| Maximum Screw Torque | | 9 lb-in (1.0 N•m) |
| Terminal Connection | | Elevator |
| Terminal Layout | | Separate |
| Maximum Wire Size | Solid Copper | Two 14–10 AWG (two 2.5–6 mm²) |
| | Stranded Copper | Two 14–10 AWG (two 2.5–6 mm²) |
| DIN Rail Mounting, EN 60715 | | 35 mm |
| Chassis Mount Screw Torque | | 7 lb-in (0.8 N•m) |
| Flammability Rating | | 94V-0 |
| Weight | | 96 g (3.39 oz) |
| Agency Approvals | | UL (E70550), CE, CSA (LR40787), RoHS |

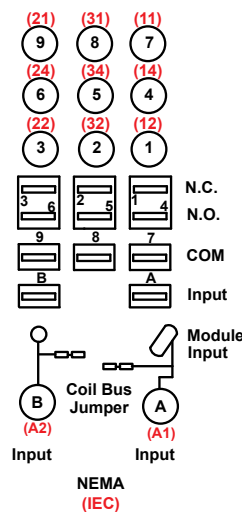
Dimensions, in. (mm)

70-788EL11-1



Wiring Diagram

70-788EL11-1



Mounting Adapter Specifications

| Part Number | 16-781C | 16-782C | 16-783C | 16-784C | 16-781C1 | 16-782C2 | 16-783C1 | 16-784C1 |
|------------------|------------------|--------------------------|------------|------------|-------------|--------------------------|------------|------------|
| Mounting Style | DIN rail / panel | | | | Panel | | | |
| Mating Relays | 781R Series | 792 Series 782 Series | 783 Series | 784 Series | 781R Series | 792 Series 782 Series | 783 Series | 784 Series |
| Agency Approvals | RoHS | | | | | | | |

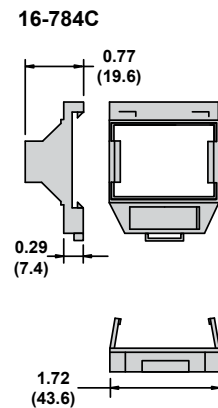
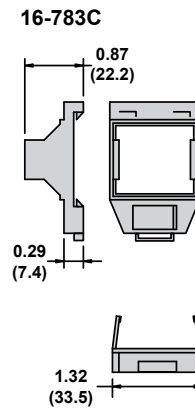
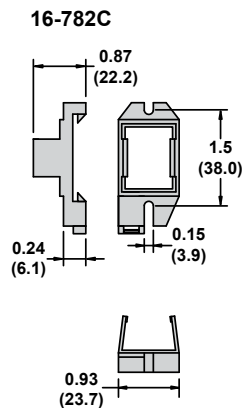
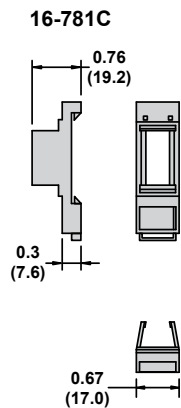
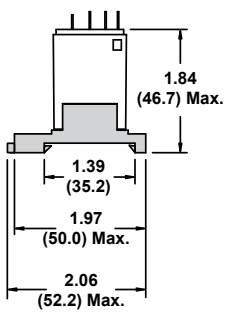
Key Features

- No socket needed
- DIN or panel mounting
- Plastic construction
- Light weight
- Low cost
- Low profile
- Write-on label
- Narrow mounting
- Easy termination

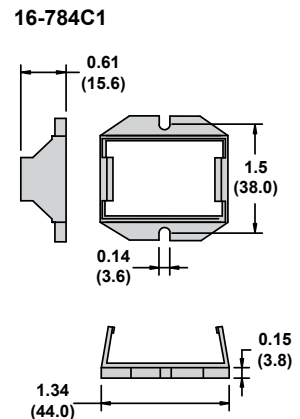
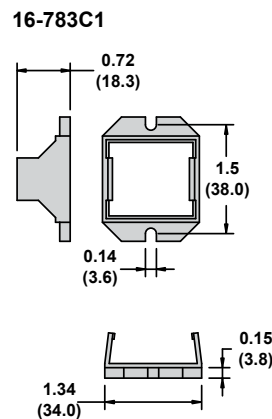
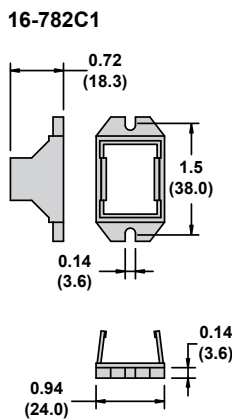
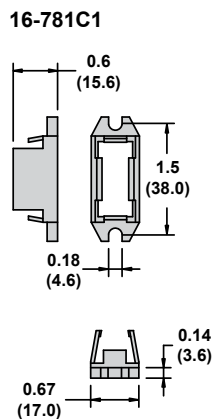
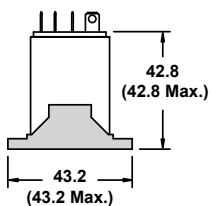


Mounting Adapter Dimensions, in. (mm)

All DIN Adapters



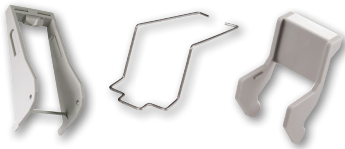
All Flange Adapters



Product Overview

Hold-Down Clips

For safely securing the relay to the socket. Available in plastic or stainless steel.



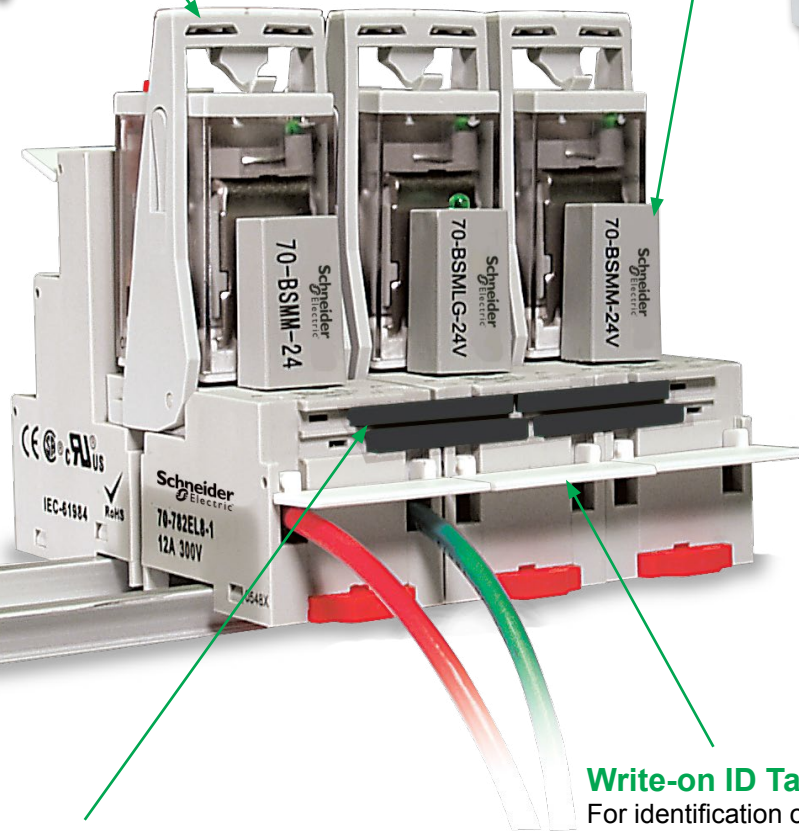
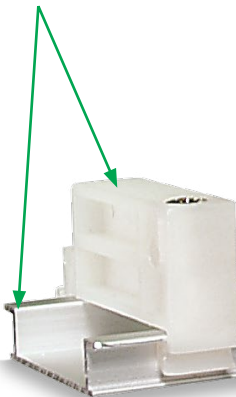
Socket Modules

For optional circuit protection (diode, MOV, or RC) or status indicator LED. Modules plug into mating sockets.



DIN Rail and Locking End Clip

For quick installation and removal of sockets.



Insulated Coil Bus Jumper System

For connection to adjacent sockets without tools or additional wiring.



Write-on ID Tags

For identification of relays in multi-relay circuits. The tag snaps onto the mating socket.



SE Relays General Purpose Relays

Socket Accessories

Hold-Down Clips

Use the table below to select Schneider Electric hold-down clips based on socket and relay compatibility.

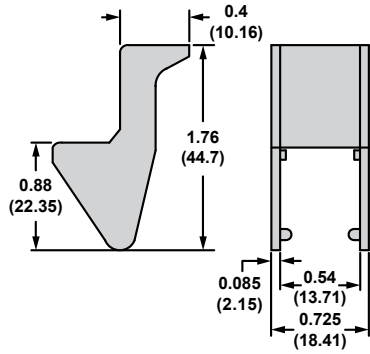
Key Features

- Stainless steel spring clips: secure the relay to the socket in harsh environments
- Plastic ejector clips: secure and eject relays from tight, multi-socket applications
- Plastic ID clips: easily identify circuits in multi-relay applications; include an ID tag with each clip

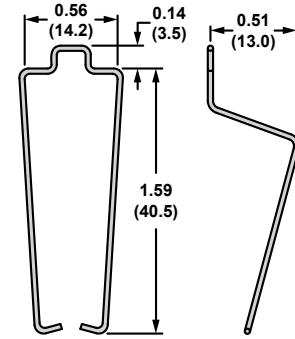
| Socket Part Number | Relays | Clip Part Number | Clip Type |
|--------------------|---|------------------|--------------|
| 70-124-2 | 788XBXR / 788XCXR | 16-1351 | Spring Clip |
| 70-178-1 | 788XBXR / 788XCXR | 16-1351 | Spring Clip |
| 70-178-2 | 788XBXR / 788XCXR | 16-1351 | Spring Clip |
| 70-378-1 | 792XDX Control, 782XDXH | 16-1342 | Spring Clip |
| 70-379-1 | 792XDX Control, 782XDXH | 16-1342 | Spring Clip |
| 70-401-1 | 782XBX Power | 16-1342 | Spring Clip |
| 70-402-1 | 782XBX Power | 16-1342 | Spring Clip |
| 70-459-1 | 782XBX Power | 16-1342 | Spring Clip |
| 70-461-1 | 792XDX Control, 782XDXH | 16-1342 | Spring Clip |
| 70-463-1 | 788XBXR / 788XCXR | 16-1351 | Spring Clip |
| 70-464-1 | 750XBXR, 750XBXH | 16-1351 | Spring Clip |
| 70-465-1 | 750XCXR, 750XCXH | 16-1351 | Spring Clip |
| 70-750DL8-1 | 750XBXR | 16-1332 | Spring Clip |
| | 750XBXH | 16-1351 | Spring Clip |
| 70-750DL11-1 | 750XCXR | 16-1332 | Spring Clip |
| | 750XCXH | 16-1351 | Spring Clip |
| 70-750E8-1 | 750XBXR | 16-1344 | Spring Clip |
| | 750XBXR, 750XBXH | 16-1351 | Spring Clip |
| 70-750E11-1 | 750XCXR, 750XCXH | 16-1351 | Spring Clip |
| 70-750EL8-1 | 750XBXR | 16-1351 | Spring Clip |
| 70-750EL11-1 | 750XCXR | 16-1351 | Spring Clip |
| 70-781D5R-1A | 781XAXR | 16-781IDC | ID Clip |
| | | 16-781SC | Spring Clip |
| 70-781T-1 | 781XAXR | 16-781SC | Spring Clip |
| 70-782D8-1A | 782XBX Power | 16-1342 | Spring Clip |
| | | 16-782IDC | ID Clip |
| | | 16-782PC-1 | Ejector Clip |
| 70-782D14-1 | 792XBX / 792XDX Control | 16-782SC | Spring Clip |
| | 792XBX / 792XDX Control (full-feature cover only) | 16-782PC-1 | Ejector Clip |
| | 782XDXH | 16-1342 | Spring Clip |
| 70-782E14-1 | 792XBX / 792XDX Control | 16-782SC | Spring Clip |
| | 792XBX / 792XDX Control (full-feature cover only) | 16-782PC-1 | Ejector Clip |
| | 782XDXH | 16-1342 | Spring Clip |
| 70-782EL8-1 | 792XBX Control | 16-782SC | Spring Clip |
| | 792XBX Control (full-feature cover only) | 16-782PC-1 | Ejector Clip |
| 70-782EL14-1 | 792XBX / 792XDX Control | 16-782SC | Spring Clip |
| | 792XBX / 792XDX Control (full-feature cover only) | 16-782PC-1 | Ejector Clip |
| | 782XDXH | 16-1342 | Spring Clip |
| 70-783D11-1A | 783XCX | 16-783IDC | ID Clip |
| | | 16-783SC | Spring Clip |
| 70-784D14-1 | 784XDX | 16-784IDC | ID Clip |
| | | 16-784SC | Spring Clip |
| 70-788EL11-1 | 788XBXR / 788XCXR | 16-1351 | Spring Clip |

Hold-Down Clip Dimensions, in. (mm)

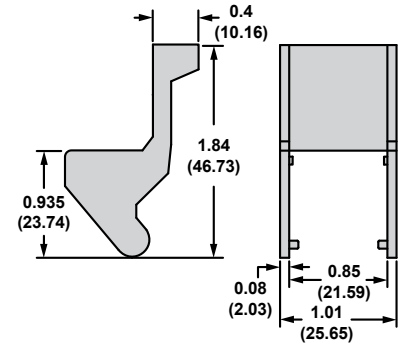
16-781IDC



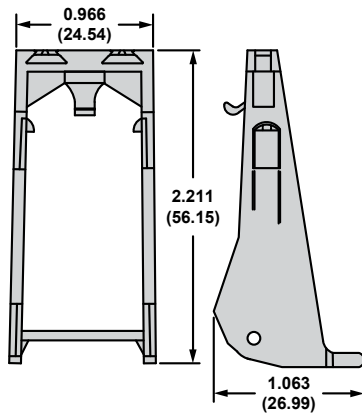
16-781SC



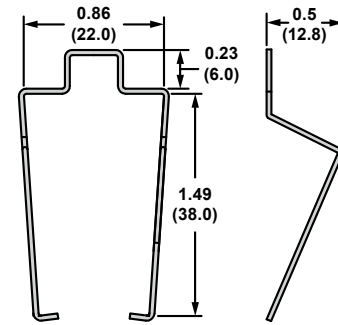
16-782IDC



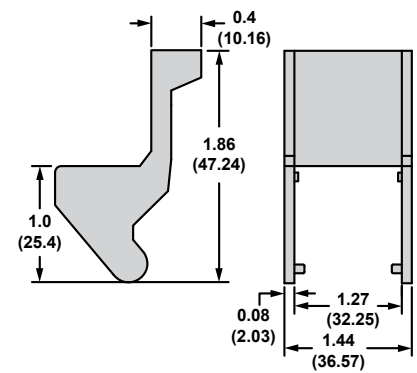
16-782PC



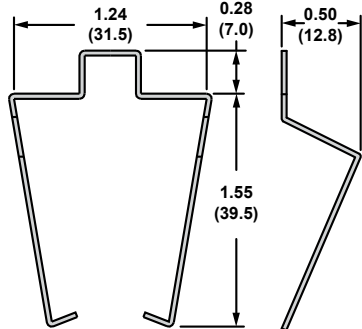
16-782SC



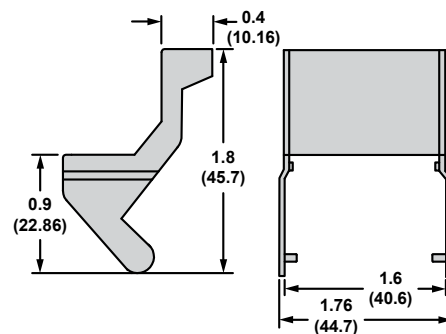
16-783IDC



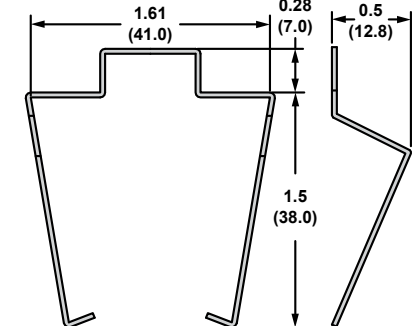
16-783SC



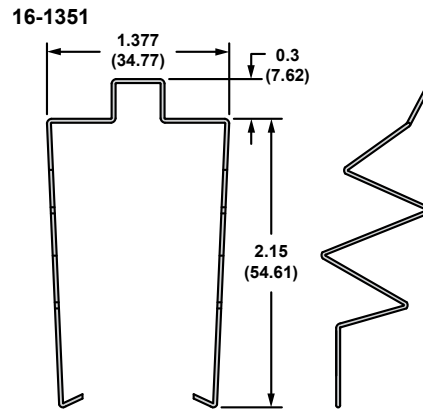
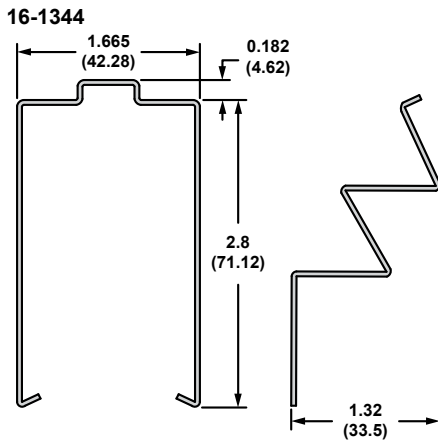
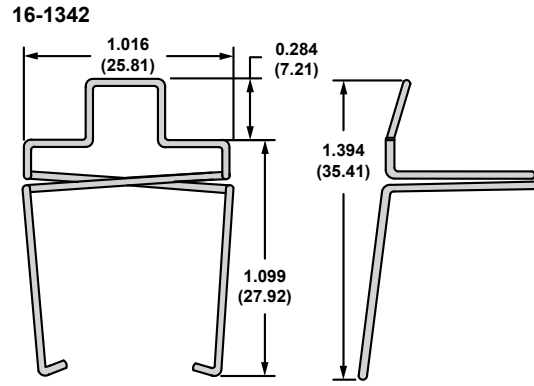
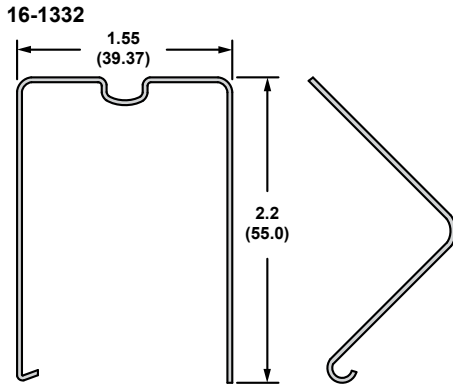
16-784IDC



16-784SC

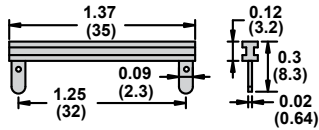


Hold-Down Clip Dimensions (*continued*), in. (mm)

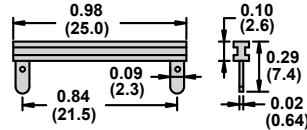


Insulated Coil Bus Jumper Dimensions, in. (mm)

16-750/788CBJ-1 Coil Bus Jumper

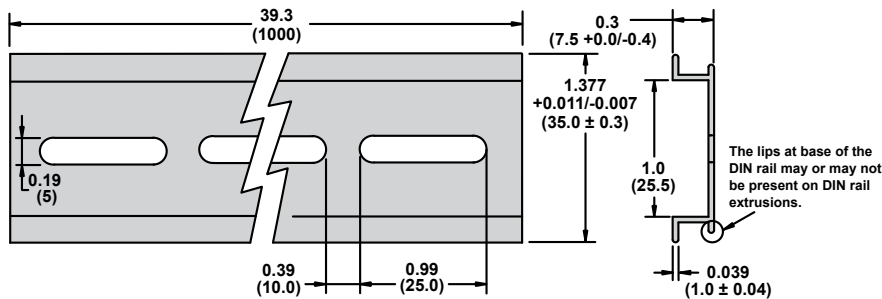


16-750/788CBJ-1 Coil Bus Jumper

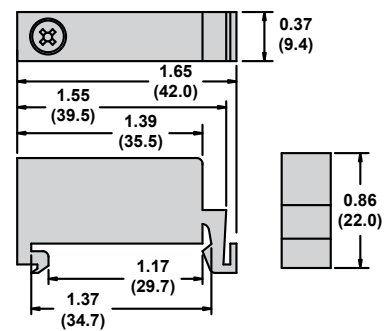


DIN Rail and DIN Clip Dimensions, in. (mm)

16-700DIN Metal DIN Rail

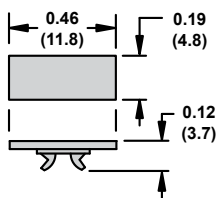


16-DCLIP-1 DIN Rail Clip

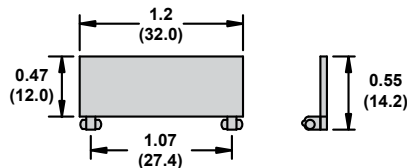


ID Tag Dimensions, in. (mm)

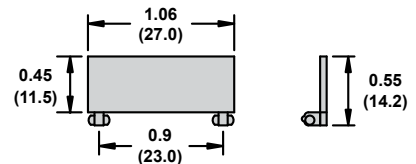
16-700ST-1 ID Tag/Label



16-750/788FT-1 ID Tag/Label

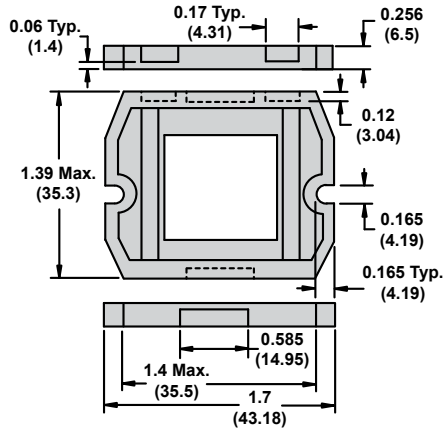


16-782FT-1 ID Tag/Label



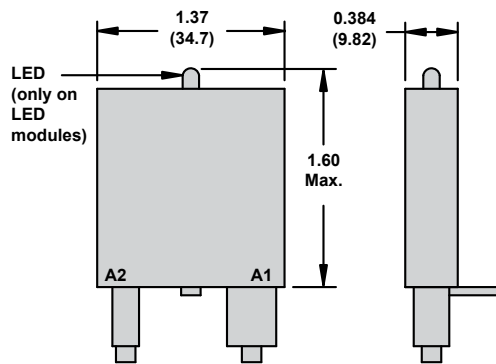
Panel Mount Adapter Dimensions, in. (mm)

16-788C1 Panel Mount Adapter

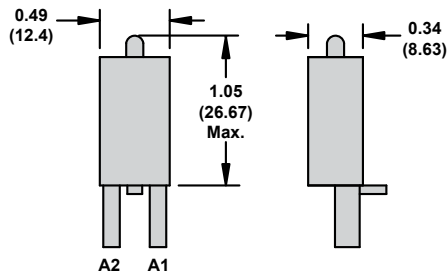


Socket Module Dimensions, in. (mm)

70-ASM Socket Modules

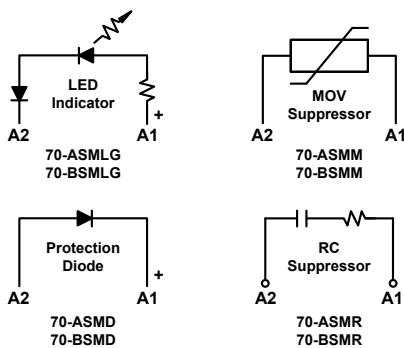


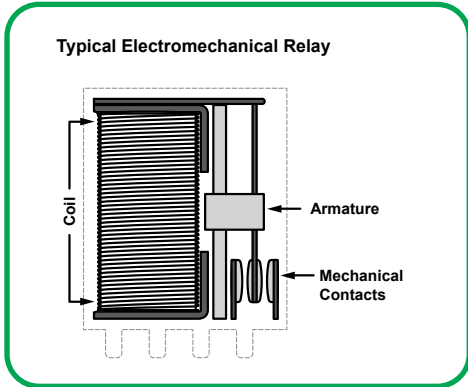
70-BSM Socket Modules



Socket Module Wiring Diagrams

70-ASM & 70-BSM Socket Modules





General Purpose Relays

General purpose relays are electromechanical relays which consist of a coil, armature, and contacts (see the figure at left).

Principle of Operation

When power is applied to the coil, the resulting magnetic field causes the armature to move, and the contacts to open or close.

Applications

With multiple options, features, and available accessories, our general purpose relays offer a complete system solution to improve your design, speed up installation, and simplify testing of your application.

Typical Examples of General Purpose Relay Applications



Automation Panels

Process controls, motor controls, standby lighting



Food & Beverage

Commercial/industrial cooking equipment, filtration systems, bottling, chillers, convection ovens



Packaging Machinery

Conveyor motors, food processors, product/shrink wrap, solenoid controls



Lighting Control

Traffic signal systems, motorway information systems, theatrical lighting, ballast lighting



Power Supplies

Universal power supplies, battery backup systems



Material Handling

Motor control, conveyor controls



HVAC & Refrigeration

Anti-condensation equipment, compressor controls, blower controls, motorized duct/vent controls



Appliances

Air conditioners, water heaters, portable heaters, spa controls, water pumps

The SE Relays website (www.serelays.com) is designed to help you easily find the proper relay to fit your design requirements, and to help you simplify and shorten your workflow.

Easily find the proper relay to fit your design requirements

■ Online Catalog

Find the right product by choosing specifications, comparing products side-by-side, and viewing technical specifications, 2D and 3D drawings, and associated accessories.

■ Cross-Reference Search

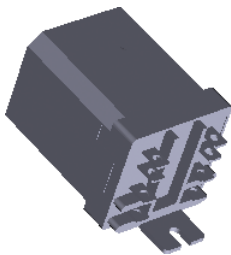
Search our comprehensive database to identify products by manufacturer and part number, and link directly to part specifications.

■ 3D CAD Library

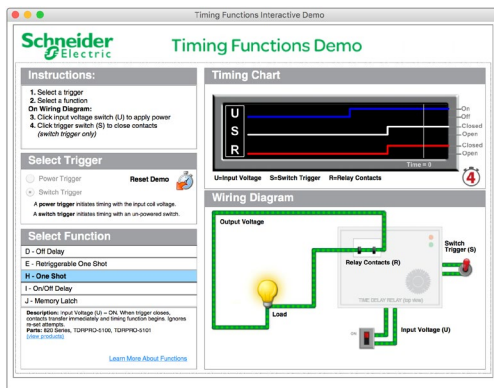
View, email, download, or insert a file directly into your open CAD software. Choose from 18 file formats.

■ Order Free Samples

Schneider Electric offers free samples as a courtesy to individuals and companies evaluating our products for their designs and applications. Sample orders are subject to approval.



3D Models



Time Delay Relay Demo

Simplify and shorten your workflow

■ Interactive Tools

View interactive demonstrations, such as our Time Delay Relay Interactive Demo (left), which visually demonstrates the ten different timing functions offered.

■ Distributor Inventory Search

Search authorized distributors' current Schneider Electric inventory and buy online. (Buy online is not available for all distributors).

| | | | |
|-----------------|-----------------------------------|--------------|----------------|
| 16-700DIN | 8, 12, 16, 20, 24, 28, 32, 36, 40 | 70-782D8-1A | 16, 41, 58 |
| 16-700ST-1 | 8, 16 | 70-782D14-1 | 36, 41, 58 |
| 16-750/788CBJ-1 | 28, 32, 40 | 70-782E | 8 |
| 16-750/788FT-1 | 28, 32, 40 | 70-782E14-1 | 36, 41, 59 |
| 16-781C | 12, 65 | 70-782EL8-1 | 41, 59 |
| 16-781C1 | 12, 65 | 70-782EL14-1 | 36, 41, 61 |
| 16-781IDC | 12, 67 | 70-783D11-1A | 20, 41, 62 |
| 16-781SC | 12, 67 | 70-784D14-1 | 24, 41, 62 |
| 16-782C | 8, 16, 65 | 70-788EL11-1 | 32, 41, 64 |
| 16-782C1 | 8, 16 | 70-ASM | 20, 24, 28, 32 |
| 16-782C2 | 65 | 70-BSM | 8, 12, 16 |
| 16-782CBJ-1 | 8, 36 | 750XBXH | 37, 38 |
| 16-782FT-1 | 8, 36 | 750XBXR | 25, 26 |
| 16-782IDC | 16, 67 | 750XCXH | 37, 38 |
| 16-782PC-1 | 8, 16, 67 | 750XCXR | 25, 26 |
| 16-782SC | 8, 67 | 781XAXR | 9, 10 |
| 16-783C | 20, 65 | 782XBX | 14 |
| 16-783C1 | 20, 65 | 782XBXC | 13 |
| 16-783IDC | 20, 67 | 782XBXCL | 13 |
| 16-783SC | 20, 67 | 782XBXCT | 13 |
| 16-784C | 24, 65 | 782XBXM4L | 13 |
| 16-784C1 | 24, 65 | 782DXH10 | 33, 34 |
| 16-784IDC | 24, 67 | 782DXH21 | 33, 34 |
| 16-784SC | 24, 67 | 783XCX | 17, 18 |
| 16-1332 | 28, 67 | 784XDX | 21, 22 |
| 16-1342 | 16, 36, 67 | 788XBXR | 29, 30 |
| 16-1344 | 28, 32, 67 | 788XCXR | 29, 30 |
| 16-1351 | 28, 32, 40, 67 | 792XBX | 4, 5 |
| 16-DCLIP-1 | 8, 12, 16, 20, 24, 28, 32, 36, 40 | 792XDX | 4, 6 |
| 70-124-2 | 32, 42 | | |
| 70-169-1 | 28, 40, 43 | | |
| 70-170-1 | 28, 40, 43 | | |
| 70-178-1 | 32, 44 | | |
| 70-178-2 | 32, 44 | | |
| 70-378-1 | 8, 36, 45 | | |
| 70-379-1 | 8, 36, 45 | | |
| 70-401-1 | 16, 47 | | |
| 70-402-1 | 16, 47 | | |
| 70-459-1 | 16, 41, 49 | | |
| 70-461-1 | 8, 36, 41, 49 | | |
| 70-463-1 | 32, 41, 49 | | |
| 70-464-1 | 28, 40, 41, 51 | | |
| 70-465-1 | 28, 40, 41, 51 | | |
| 70-750DL8-1 | 28, 40, 41, 52 | | |
| 70-750DL11-1 | 28, 40, 41, 52 | | |
| 70-750E8-1 | 28, 40, 41, 53 | | |
| 70-750E11-1 | 28, 40, 41, 53 | | |
| 70-750EL8-1 | 28, 41, 55 | | |
| 70-750EL11-1 | 28, 41, 55 | | |
| 70-781D5R-1A | 12, 41, 56 | | |
| 70-781T-1 | 12, 56 | | |
| 70-782D | 8 | | |

Schneider Electric USA, Inc.
200 N. Martingale Rd.
Schaumburg, IL 60173
Tel: 847-441-2540
www.serelays.com

Electrical equipment should be installed, operated, serviced, and maintained only by qualified personnel. No responsibility is assumed by Schneider Electric for any consequences arising out of the use of this material.

© 2011–2017 Schneider Electric. All Rights Reserved.
Schneider Electric is a trademark and the property of Schneider Electric SE, its subsidiaries, and affiliated companies. All other trademarks are the property of their respective owners.

8501CT1105R02/21, 11/2021
Replaces 8501CT1105R01/17 dated 01/2017