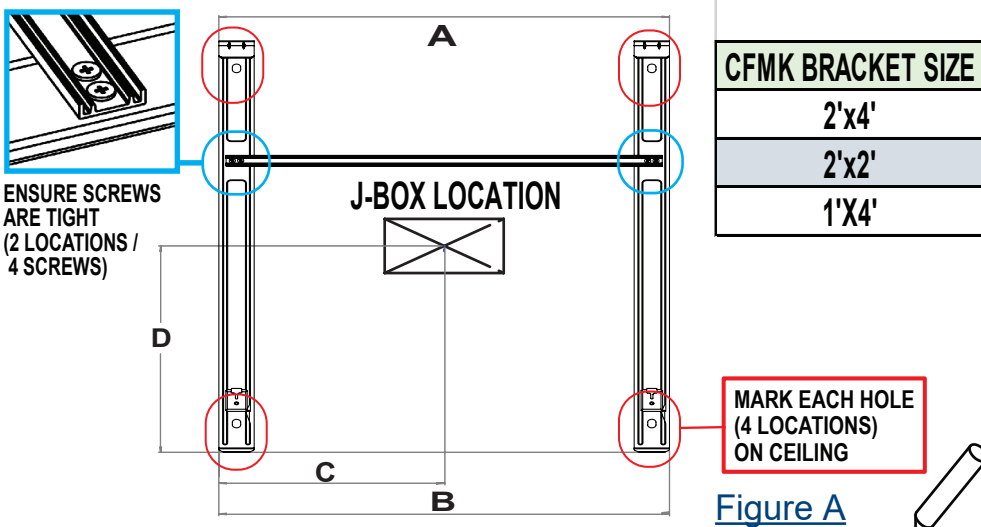


## Important Installation Information

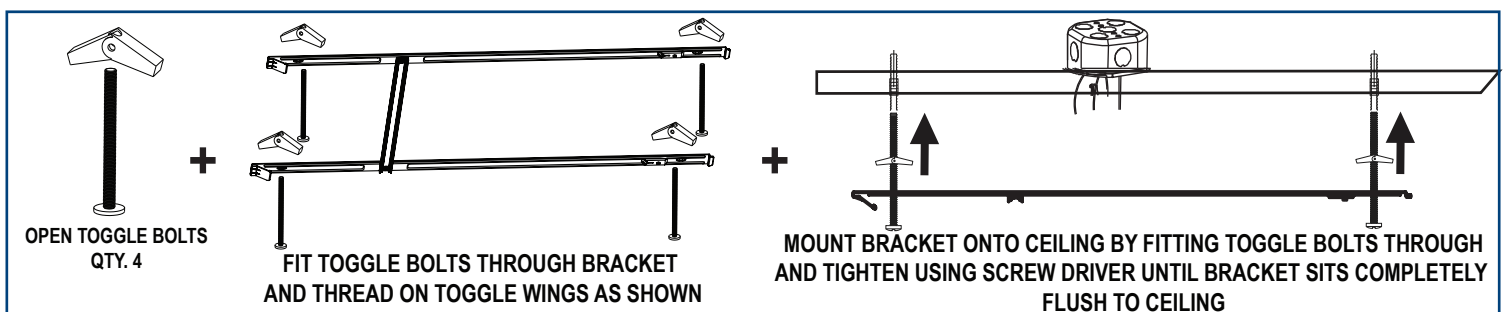
- 1) Ensure power is turned OFF prior to installation.
- 2) All wires must be connected as indicated below for proper installation:
  - A) Required input wires (Qty 3) on CPANL panel:
    - 1) GREEN / YELLOW wire - Ground
    - 2) WHITE wire - Neutral Line-In
    - 3) BLACK wire - Hot Line-In
  - B) Optional dimming wires (Qty 2):
    - 4) PURPLE wire - 0-10V (+) (must be capped-off if not used)
    - 5) GRAY wire - 0-10V (-) (must be capped-off if not used)



- 3) For surface mounting directly to the ceiling, complete the following installation instructions with the mounting bracket (provided) to ensure a proper and safe installation:
  - A) Ensure mounting bracket assembly screws are tight and the outside dimensions at both ends of the bracket are as shown in Figure A (Dim A & B).  
Position the mounting bracket in relationship to the J-BOX as shown in Figure A (Dim C & D) and mark four (4) mounting holes.



- B) Drill four (4) mounting holes with 1/2" drill bit on previously marked locations and mount bracket with four (4) toggle bolts (provided), see Figure B.



Page 2 - Important Installation Information

C) Insert two (2) panel Holder Brackets onto the mounting bracket V-Clips (opposite end from tether cables) and ensure clip feeds through the Holder Bracket as shown in Figure C.

D) Route and lock tether cables into place on the forward Holder Brackets ensuring the cable feeds all the way to the end (secure position), and add the cable tie to close cable loop, as shown in Figure D, repeat 2 times.

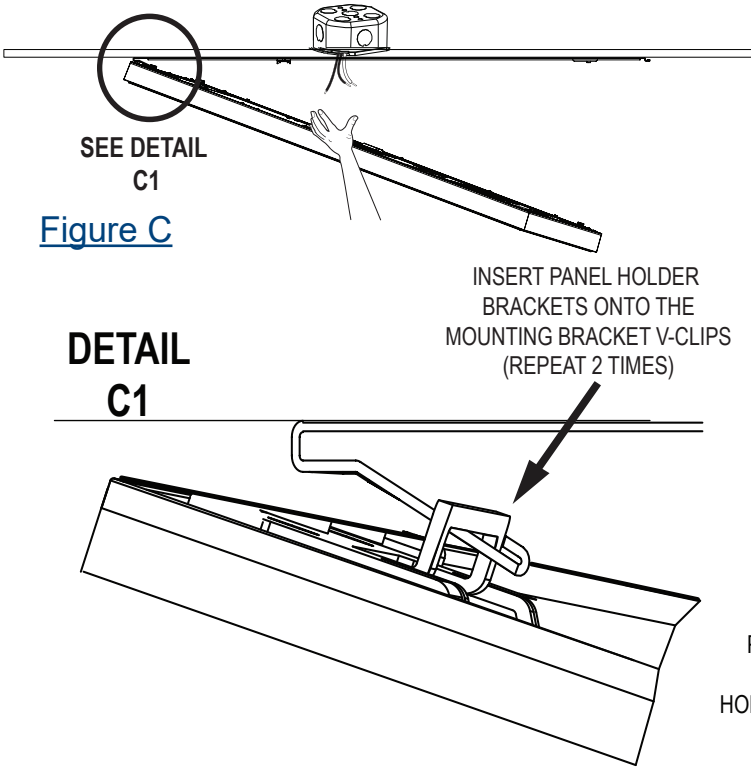


Figure C

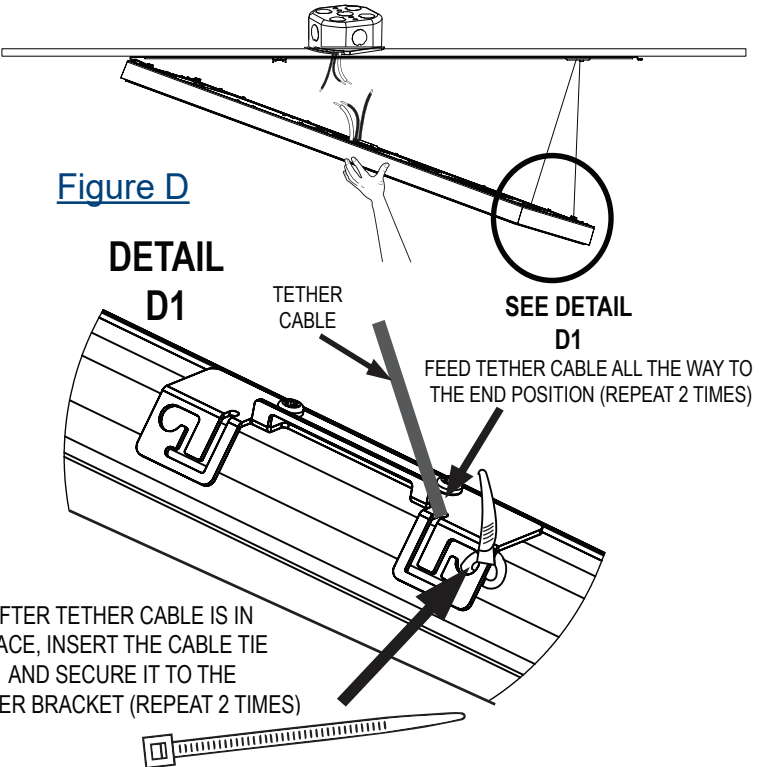


Figure D

E) Connect wiring (as shown in Step 2, Page 1)

F) Raise panel to the ceiling and slide into place, ensuring the Holder Brackets properly engage with the mounting bracket as shown in Figure F.

**CAUTION:**

- 1) You should be able to gently pull the panel in any direction without it disengaging from the mounting bracket.
- 2) The CFMK Bracket is only intended for use on a smooth flat ceiling surface.

Note: For additional information on the CPANL CFMK – direct surface mount installation, view the online installation video at: <https://www.youtube.com/watch?v=VYQ1r2VjxWA>

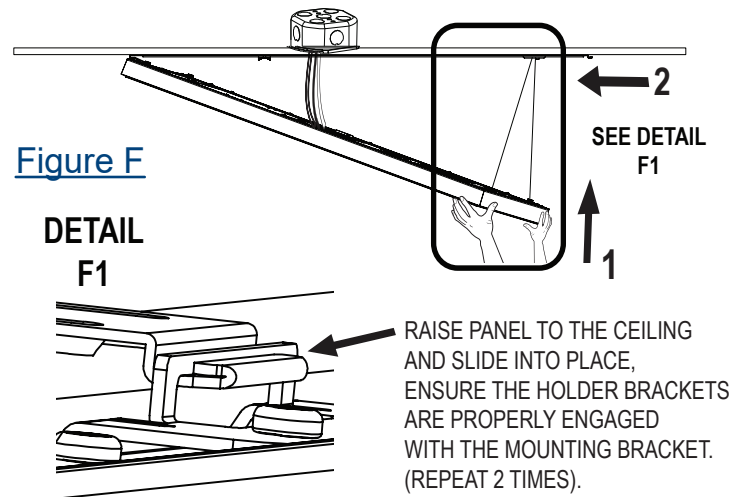


Figure F



QR CODE VIDEO LINK