



**Worry-Free**  
Ten Year Sealed Battery  
Smoke Alarms

## 120V AC Wire-in Combination Smoke & Carbon Monoxide Alarm

**10-Year Sealed Lithium Battery Backup, Photoelectric Sensor**

Model P4010ACSCO



- Photoelectric Sensing Technology
- 10-Year Sealed Lithium Battery Backup
- Voice Messaging System
- Ambient Light Sensor
- Smart Hush® Control
- Flashing LED Status Ring allows easy identification of current state of alarm



Green:  
Device is Working



Amber:  
Error



Red:  
Danger Detected

### Description

The Kidde P4010ACSCO is an AC/DC powered, combination photoelectric smoke and carbon monoxide alarm that contains a 10-year, sealed battery backup and voice messaging system. The voice warning feature accompanies the 85dB tone during an alarm event, and helps reduce confusion with verbal announcements such as "Replace alarm" at end of alarm life, and "Hush mode activated" when a nuisance alarm is silenced.

This alarm uses breakthrough technology to offer a fast response to real fires, as well as protect you from carbon monoxide and dramatically reduce the chance of nuisance alarms. The Intelligent sensor technology combines the detection capabilities of a photoelectric smoke sensor with that of an electrochemical sensor, which is used to detect CO. Since carbon monoxide is present in all fires, having both detection chambers work together in one alarm is a breakthrough in the fire safety industry. When either sensor notices a potential hazard, it will communicate with the other. Depending on what is detected, the alarm will adjust its smoke sensitivity in order to better discriminate between a real hazard and a false one. This constant communication enhances the alarm's overall performance in all fires, and significantly reduces the potential for a nuisance alarm.

Kidde P4010 Series Alarms contain 10-year tamper proof batteries that eliminate the need for battery replacement, and ends worry over unauthorized removal. Users are further shielded from late night battery chirps by the unit's Ambient Light Sensing feature, which establishes a day/night cycle and prevents alarm chirping in dark conditions.

### Install Confidence:

- **Voice Notification:** Verbally announces "Fire!" or "Warning! Carbon Monoxide!" to help distinguish between threats.
- **Easy to Install:** Backup battery automatically activates when the unit is attached to the mounting bracket
- **Photoelectric Sensor:** Smoke sensor contains advanced photoelectric sensor that may detect visible particles (associated with smoldering fires) sooner than ionization alarms.
- **Ambient Light Sensing:** Establishes Day/Night cycle and delays chirping during the night until the next Day cycle begins.
- **Test / Hush® Button:** Tests alarm circuitry and activates Hush® feature to temporarily silence nuisance alarms for up to 10 minutes. End of Unit Life chirps can also be silenced.
- **End of Unit Life Warning:** Alerts user the alarm is in need of replacement.
- **10-Year Limited Warranty**



See user guide for additional important information.

## Architectural and Engineering Specifications

The combination smoke and carbon monoxide alarm model shall be P4010ACSCO or approved equal and is powered by a 120VAC, 60Hz source along with lithium battery backup. The lithium batteries shall be sealed in the unit to prevent removal and/or tampering. The unit shall incorporate photoelectric smoke and electrochemical CO sensor. The temperature operating range shall be between 40° and 100°F (4°C and 38°C) and the humidity operating range shall be 10% to 95% relative humidity, non-condensing.

The alarm can be installed on any standard single gang electrical box, up to a 4" octagon junction box, following the UL/Manufacturer's approved placement guidelines. The electrical connection (to the alarm) shall be made with a plug-in connector. The alarm shall incorporate an activation switch that will activate the backup battery when the unit attaches to the mounting bracket.

The P4010ACSCO shall include a test button that will simulate fire and carbon monoxide conditions and cause the unit to go into alarm. This sequence tests the unit's electronics to ensure proper operation. A maximum of 24 Kidde devices can be interconnected in a multiple station arrangement. The interconnect system must not exceed the NFPA (National Fire Protection Association) limit of 18 initiating devices, of which 12 can be smoke alarms.

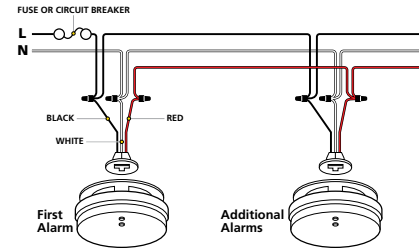
The combination alarm shall have two methods of warning for danger: a piezoelectric horn that is rated at 85 decibels at 10 feet and a voice warning that identifies the danger. For a CO incident, the horn will sound in the repetitive manner – four (4) fast beeps, a short pause, four (4) fast beeps, a short pause. In between, the unit will announce "Warning Carbon Monoxide!" In a Smoke incident, the horn will sound in the repetitive manner – three (3) beeps, a pause, three (3) beeps, a pause. In between, the unit will announce "Fire!"

The alarm shall include an End of Unit Life Alert, where ten years after initial power up the unit shall chirp two times every 30 seconds to indicate the alarm needs to be replaced. For five minutes, a voice warning will provide a "Replace Alarm" message. This alert can be temporarily silenced in 24 hour increments for seven days.

The unit shall at a minimum meet the requirements of UL217, UL 2034, NFPA 72, The State of California Fire Marshall, NFPA 101 (One and two family dwellings), Federal Housing Authority (FHA), Housing and Urban Development (HUD). The alarm shall be UL Listed and shall include a 10-year manufacturer's limited warranty.

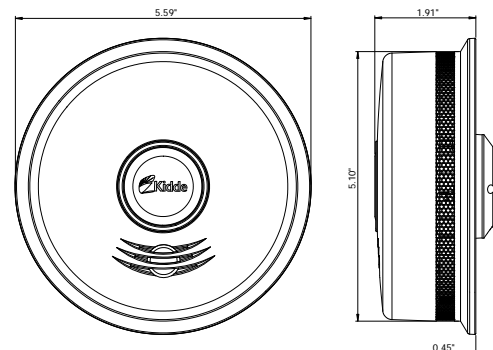
## Installation of Smoke Alarm

The smoke alarm should be installed to comply with all local codes having jurisdiction in your area, Article 760 of the National Electric Code, and NFPA 72. Make certain all alarms are wired to a single, continuous (non-switched) power line, which is not protected by a ground fault interrupter. A maximum of 1000 ft. of wire can be used in the interconnect system. Use standard UL listed household wire as required by code.



## Technical Specifications

Model:	P4010ACSCO
Power Source:	120VAC (60 Hz, 53mA Max)
Smoke Sensor:	Photoelectric
CO Sensor:	Electrochemical
Audio Alarm:	85dB at 10ft
Temperature Range:	40°F (4.4°C) to 100°F (37.8°C)
Humidity Range:	10% to 95% relative humidity (RH), non-condensing
Size:	5.59" in diameter x 1.91" depth
Weight:	.6 lb
Interconnects:	Up to 24 Kidde devices
Warranty:	10 year limited



*This alarm uses photoelectric sensing technology. Photoelectric sensing alarms may detect visible fire particles (associated with slow smoldering fires) sooner than ionization alarms. Ionization alarms may detect invisible fire particles (associated with fast flaming fires) sooner than photoelectric alarms. Leading authorities recommend that both ionization and photoelectric smoke alarms be installed to help ensure maximum detection of the various types of fires that can occur within the home.*

## Ordering Information Not for sale by individual unit

Ordering Number	UPC	I2F5	Pack Config.	Pack Quantity	Dimensions (w x d x h inches)	Weight	Cartons/Pallet
21027536	0-47871-27536-6	100-47871-27536-3	Single	4	6.0 x 11.0 x 7.0	5	576



1016 Corporate Park Drive  
 Mebane, NC 27302  
 1-800-880-6788  
 www.Kidde.com

**Distributed by:**

P/N: KL-P4010ACSCO-sheet  
 rev. 11-2017