

Double Gang Boxes

7 Hole

Features

- 31 cubic inch capacity
- 1/2" or 3/4" threaded hub
- Superior commercial quality die cast metal construction
- Boxes include closure plugs, grounding screws and mounting lugs
- Installation instructions included
- Gray

Applications

- UL listed for wet locations
- For wall or pole mounting of outdoor outlets, switches or floodlights

Standard Material

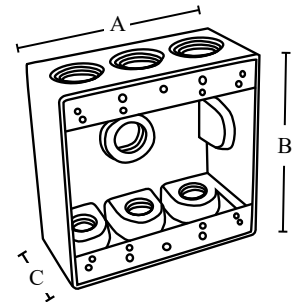
- Copper free aluminum

Standard Finish

- Premium powder coat finish



UL® Listed and 2011 NEC® and NEMA® 3R Compliant



Catalog Number	UPC	Threaded Hub	Ship Case	Weight/Case	A	Inches B	C
WB2750	85091	1/2"	10	20	4.56	4.56	2
WB2775	85092	3/4"	10	20	4.56	4.56	2