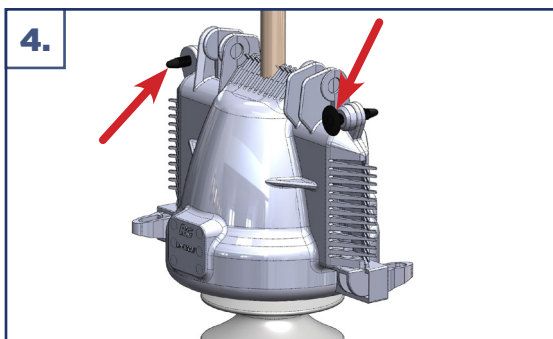
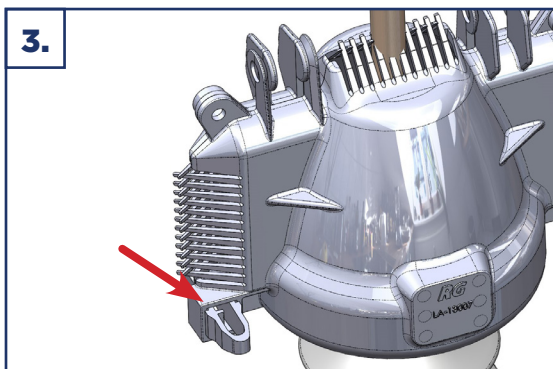
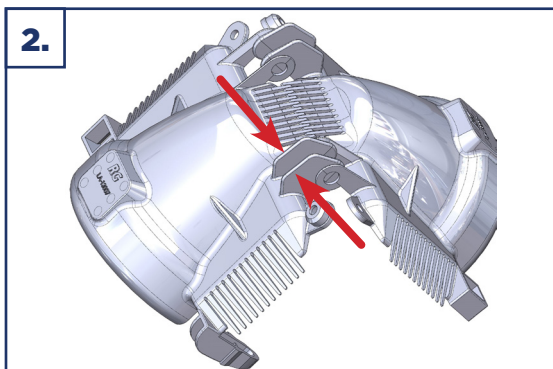
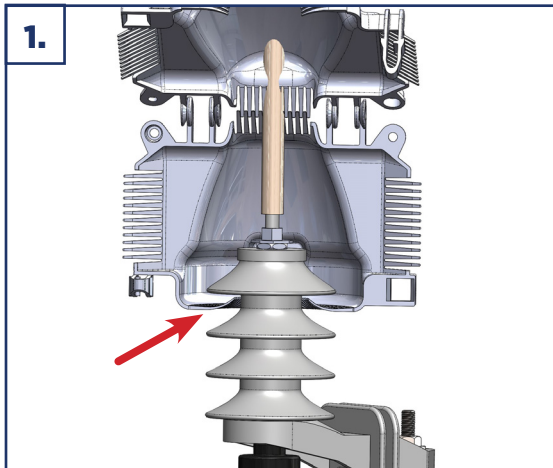


LIGHTNING ARRESTER GUARD INSTALLATION GUIDE



Scan here to view
these instructions
on your device.

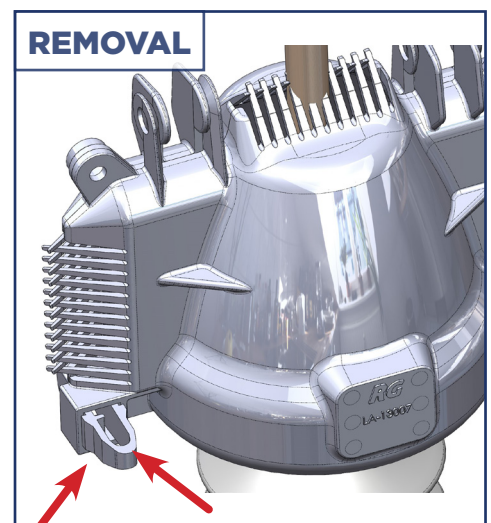


DE-ENERGIZED INSTALLATION NOTES

1. Align one side of the Reliaguard Lightning Arrester Guard under the arrester's uppermost shed. If installing Reliaguard GreyEEL® conductor guard onto the conductor, refer to the GreyEEL® installation guide prior to alignment.
2. If using the vertical conductor exit, squeeze latch to open one side of the Lightning Arrester Guard's hinge. Feed conductor through the top, reattach hinge.
3. Close the bottom arrow latches, ensuring only one shed is contained within the guard. Push guard together on both sides until arrow latches fully snap. The arrow heads will be fully visible outside the square receptacles.
4. Thru-holes are provided for the optional use of push pins or zip ties as a secondary closure. These are not required for retention and are provided only for convenience of users who prefer a secondary closure method.

DE-ENERGIZED REMOVAL NOTES

Remove Lightning Arrester Guard by clipping off the heads of push pins or zip ties with suitable cutter. Press in arrow latch snaps as indicated, to separate.



LIGHTNING ARRESTER GUARD INSTALLATION GUIDE

DISCLAIMER

These products should only be installed, used, or serviced by adequately trained personnel. These instructions are not a substitute for adequate training in the safe use of these products, and they do not address all situations that may be encountered when using these products. When using any product, always read and follow the installation and operating instructions and warnings for the product, all applicable federal, state, and local safety regulations, industry standards, and your employer's internal safety guidelines and operating instructions. Failure to follow applicable safety rules and instructions may result in serious injury, death, and property damage.

The user is responsible for the safe installation and use of any product and must evaluate the conditions at the time of use and consult with their employer's internal safety guidelines or safety experts hired by your employer, as needed. Hubbell Power Systems, Inc. is not liable for death, serious injury, or property damage resulting from the use of these products in any manner that is inconsistent with the product installation and operating instructions, your employer's internal safety guidelines, or recommendations from safety experts hired by your company.

If further information is desired or if particular problems are encountered which are not sufficiently covered in these instructions, contact Hubbell Power Systems, Inc. for additional information. Operating and installation instructions are available on the Hubbell Power Systems, Inc. website: <https://www.hubbell.com/hubbellpowersystems/en/resource-search?text=&fileType=Installation+Manuals&categoryX=&category=>

