



## Compact Pro™ CPHB LED High Bay

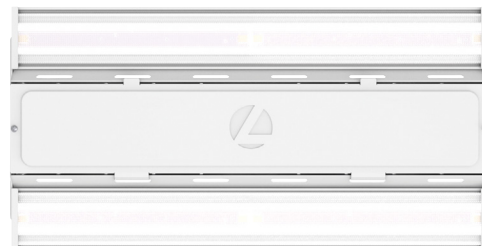
Designed and Optimized for the Contractor

Save Time.

Save Money.

Without Compromising Quality.

The Compact Pro High Bay by Lithonia Lighting® is the budget-oriented high bay designed for contractors from the ground up. It's the most compact high bay on the market, making it easier and quicker to install. Built with quality to last and performance to get the job done. At the price you need to win!



**Selling High Bay  
Brand in  
North America**



# Compact Pro LED High Bay



## Small is Huge!

- **Ultra Compact:** Up to 50% smaller than the typical high bay
- **Contractor friendly design:** Up to 30% faster installation and cleanup
- **Engineered Optics:** Glare control lens provides comfortable illumination



9L, 12L, 15L, 18L\* 14" x 11.5"

24L, 30L\*

22.5" x 11.5"

36L, 48L, 60L

44" x 11.5"

\*Indicates Contractor Select Option



## Switchable Lumens and Color Option

### 12 Configurations in 2 SKUs

- **Size 1:**
  - Option 1: 4000/5000K - 12,000/15,000 Lumen Switching
  - Option 2: 4000/5000K - 12,000/15,000/18,000 Lumen Switching
- **Size 2: 4000/5000K - 24,000/27,000/30,000 Lumen Switching**



# Compact Pro LED High Bay



*Selling High Bay  
Brand in  
North America*

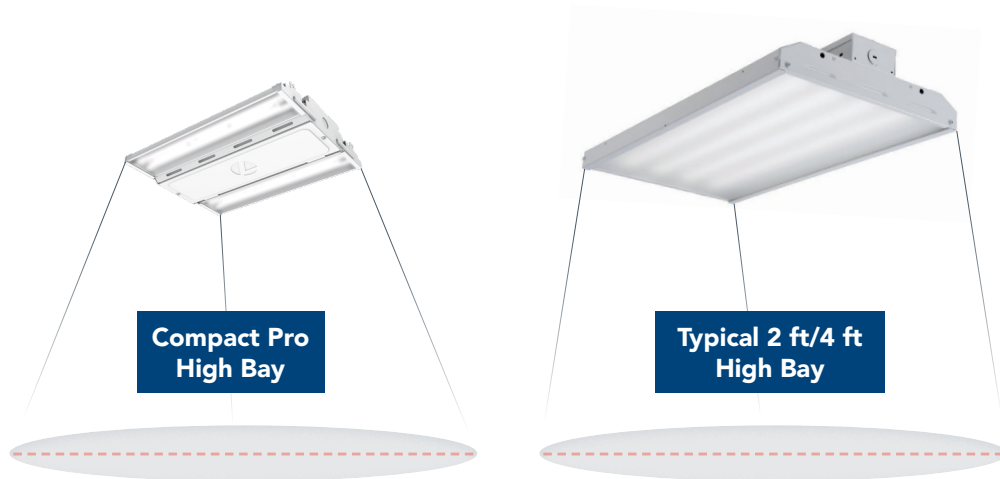
## Quick Facts:

- 9,000 to 60,000 lumens
- MVOLT/HVOLT
- Integrated nLight® AIR controls/sensors
- Battery pack optional
- Hanging hardware included with Contractor Select SKUs
- Glare control lens - minimizes glare & enables exceptional efficiency



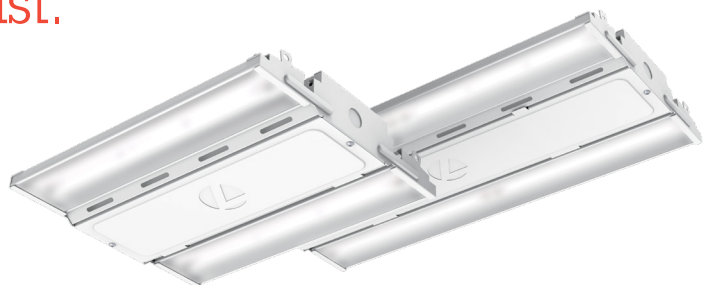
**Half the Size.  
All the Lighting Performance.**

**Compact Pro optics deliver true 1-1 matching performance to larger high bays**



**A Product You Can Trust.  
The Price You Need.**

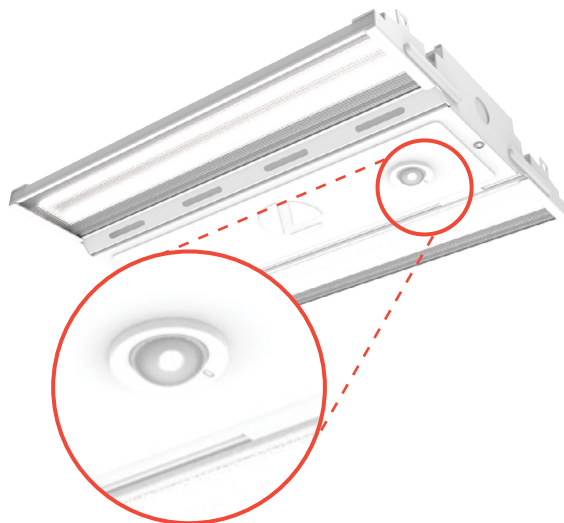
- 6kV Industrial ANSI surge
- Up to 55C° True-Tested ambient operation
- Long life operation – L70 > 100,000 hours
- Sturdy and robust – Extruded aluminum design



# Compact Pro LED High Bay

## Control Options

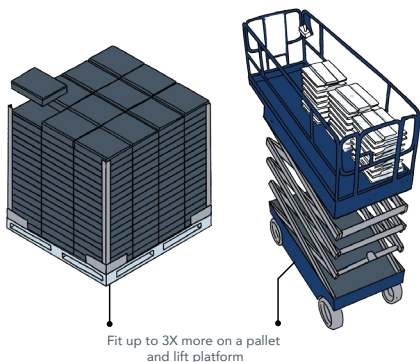
- Now featuring channel-embedded networkable controls enabled by nLight® AIR wireless controls
- Standalone \*Bluetooth® programmable channel-embedded controls with Haleon BTP from SensorSwitch™
- Additional standalone control options available with the SensorSwitch LSXR fixture mount occupancy sensor



Pictured with nLight AIR rMSOD

Contractor-optimized packaging to get the job done easier and faster.

## Slim/Compact Everyday Unit Pack

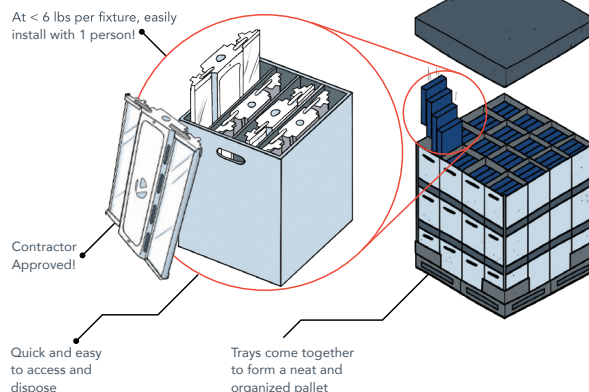


Reduces install time & labor up to **30%**

Reduces packaging waste by **>75%**  
\*Size dependent

Ships with **>140** units per pallet  
\*Size dependent

## Contractor-Friendly Job Pack



**Learn More**

[www.lithonialighting.com/compactpro](http://www.lithonialighting.com/compactpro)

\*The Bluetooth® word mark and logos are registered trademarks owned by Bluetooth SIG, Inc. and any use of such marks by Acuity Brands is under license. Other trademarks and trade names are those of their respective owners.