

# 40 SERIES BALL VALVES



# 40 SERIES BALL VALVES

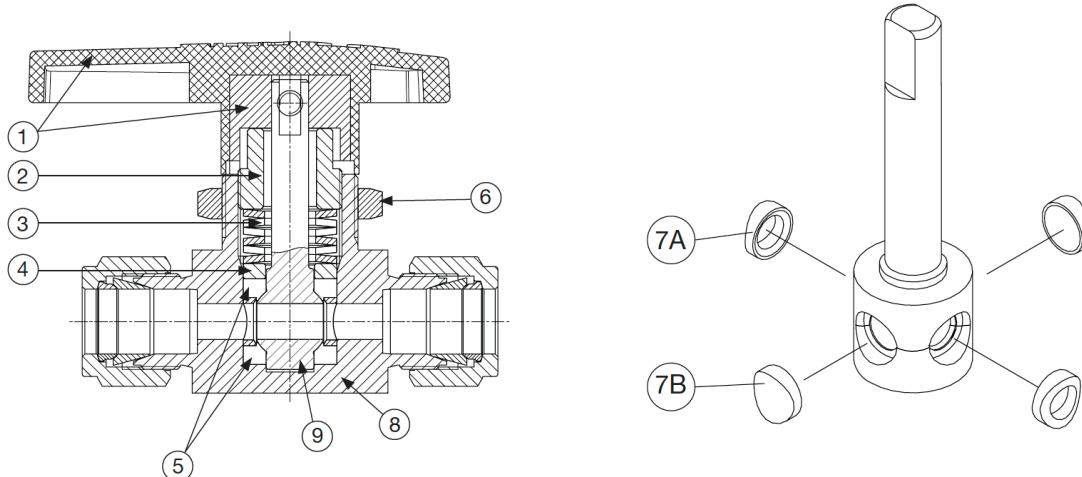


40 Series

## Features

- Live-Load Option
  - Springs create a “live-loading” so packing adjustments are made less frequently
- Directional Handle
  - Shows system flow direction
- Panel Mountable
  - Standard
- Packing Can Be Adjusted
  - Allows for adjustments due to pressure, temperature or wear
- Minimal Dead Space
  - Sealing is created without system pressure
- One Piece Body Construction
  - Reduces leak points
- Factory Tested
  - 1000 psi nitrogen to a maximum allowable leakage of 0.1 SCCM
- Temperature/Pressure
  - Up to 3,000 psig (206 bar) Pressure Rating
  - -65°F (-54°C) to 300°F (65°C) Temperature Rating
- Dimensionally Matches Industry Standard
  - Valves were designed around competitor dimension
  - Available in Straight & 3-Way configurations
- Locking Option Available

# 40 SERIES BALL VALVES

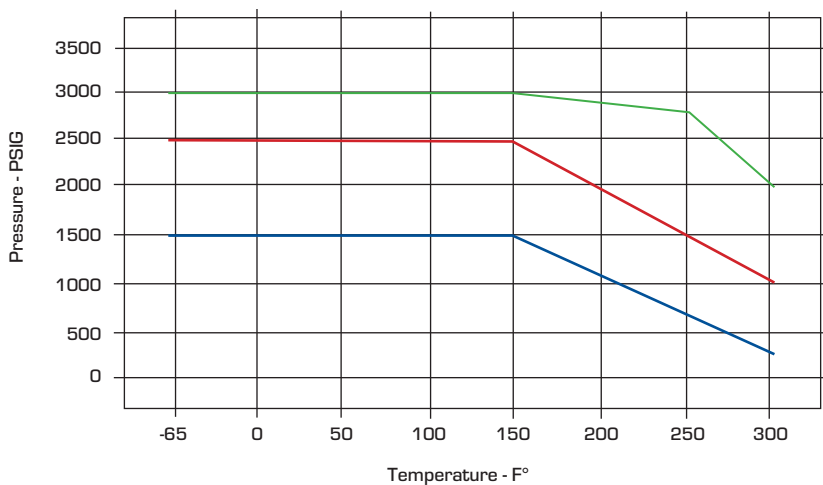


Spring Loaded Valve pictured above.

#	Components	Description/Material
1	Handle	Nylon/Aluminum Alloy Insert
2	Packing Bolt	SS316 ASTM A176
3	Packing Springs* *	SS316 ASTM A240
4	Upper Gland	SS316 ASTM A276/A479
5	Stem/Seat Packing	PTFE ASTM D1710
6	Panel Nut	S17400 ASTM A693
7A/7B	Seat Support Ring	SS316 ASTM 276 with Fluorocarbon coating
8	Body	SS316 ASTM A276/A182
9	Stem	SS316 ASTM A276/A479
10	Locking Bracket*	SS316 ASTM A479
11	Lubricant	Wetted Component: Silicone based Non-Wetted Component: Hydrocarbon based

\* Locking Bracket are an available option, please consult with your local Tylok® Distributor

\*\* If Equipped

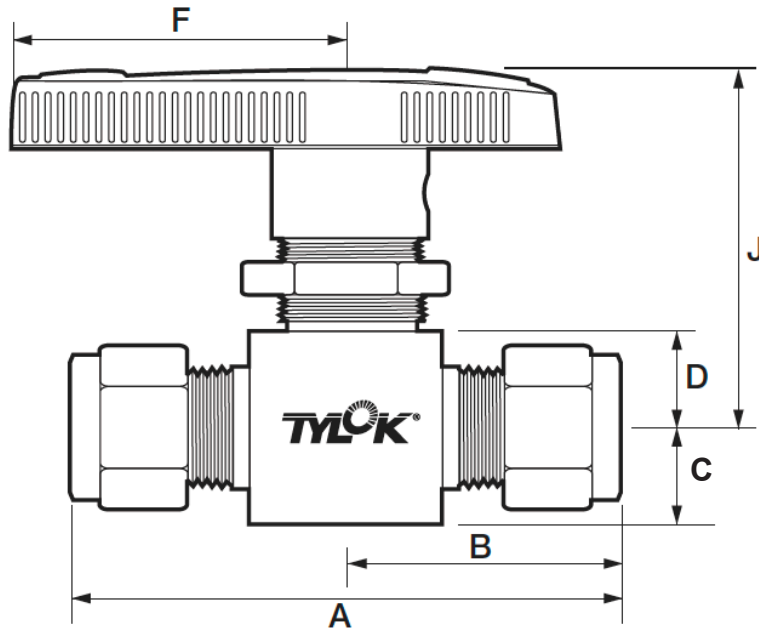


— 44 & 45 Series 3-way  
 — 41 & 42 Series Straight and 3-way, 43 Series 3-way, 44 & 45 Series Straight  
 — 43 Series Straight

# 40 SERIES BALL VALVES

40 Series

Straight Ball Valve



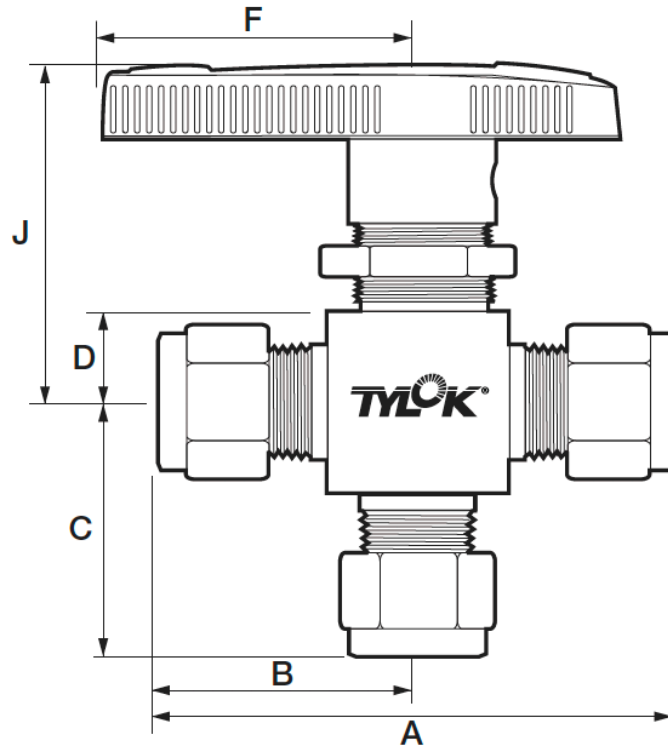
	Size (in)	Part Number	Interchanges With	Orifice	A	B	C	D	F	J	Body Width	Panel Nut Dia.	Panel Nut Min/Max Thickness
CBC-Lok® Tube Fittings	1/8*	SS-41S-D2D2	SS-41GS2	0.093	2.02	1.01	0.28	0.34	1.12	1.36	0.58	19/32"	1/8" - 1/4"
		B-41S-D2D2	B-41GS2										
	1/4*	SS-42S-D4D4	SS-42GS4	0.125	2.20	1.10	0.28	0.34	1.12	1.36	0.58	19/32"	1/8" - 1/4"
	1/4*	SS-43S-D4D4	SS-43GS4	0.187	2.40	1.20	0.38	0.44	1.53	1.47	0.78	25/32"	1/8" - 3/16"
	3/8*	SS-43S-D6D6	SS-43GS6	0.187	2.58	1.29	0.38	0.44	1.53	1.47	0.78	25/32"	1/8" - 3/16"
	1/2*	SS-43S-D8D8	SS-43GS8	0.187	2.80	1.40	0.38	0.44	1.53	1.47	0.78	25/32" **	1/8"-3/16" **
	3/8	SS-44-D6D6	SS-44S6	0.281	3.04	1.52	0.56	0.56	2.00	2.07	1.12	1-1/8"	1/8" - 3/8"
1/2	SS-45-D8D8	SS-45S8	0.406	3.92	1.96	0.69	0.69	3.00	2.43	1.50	1-1/2"	1/8" - 3/8"	
CS-Lok® Tube Fittings	1/8*	SS-41S-S2S2	SS-41GS2	0.093	2.02	1.01	0.28	0.34	1.12	1.36	0.58	19/32"	1/8" - 1/4"
		B-41S-S2S2	B-41GS2										
	1/4*	SS-42S-S4S4	SS-42GS4	0.125	2.20	1.10	0.28	0.34	1.12	1.36	0.58	19/32"	1/8" - 1/4"
	1/4*	SS-43S-S4S4	SS-43GS4	0.187	2.40	1.20	0.38	0.44	1.53	1.47	0.78	25/32"	1/8" - 3/16"
	1/2*	SS-43S-S8S8	SS-43GS8	0.187	2.80	1.40	0.38	0.44	1.53	1.47	0.78	25/32" **	1/8"-3/16" **
	3/8*	SS-43S-S6S6	SS-43GS6	0.187	2.58	1.29	0.38	0.44	1.53	1.47	0.78	25/32"	1/8" - 3/16"
	3/8	SS-44-S6S6	SS-44S6	0.281	3.04	1.52	0.56	0.56	2.00	2.07	1.12	1-1/8"	1/8" - 3/8"
1/2	SS-45-S8S8	SS-45S8	0.406	3.92	1.96	0.69	0.69	3.00	2.43	1.50	1-1/2"	1/8" - 3/8"	
Female NPT	1/4*	SS-43S-F4F4	SS-43GF4	0.187	2.06	1.03	0.38	0.44	1.53	1.47	0.78	25/32"	1/8" - 25/32"
	3/8	SS-44-F6F6	SS-44F6	0.281	2.50	1.25	0.56	0.56	2.00	2.07	1.12	1-1/8"	1/8" - 3/16"
	1/2	SS-45-F8F8	SS-45F8	0.406	3.12	1.56	0.69	0.69	3.00	2.43	1.50	1-1/2"	1/8" - 3/8"

\* Spring Loaded

\*\* This valve/fitting combination is not panel mountable

# 40 SERIES BALL VALVES

## 3-Way Ball Valve



40 Series

	Description (size)	Part Number	Interchanges With	Orifice	A	B	C	D	F	J	Body Width	Panel Nut Dia.	Panel Nut Min/Max Thickness
CBC-Lok® Tube Fittings	1/8*	SS-41XS-D2D2	SS-41GXS2	0.093	2.02	1.01	0.97	0.34	1.12	1.36	0.58	19/32"	1/8" - 1/4"
	1/4*	SS-42XS-D4D4	SS-42GXS4	0.125	2.20	1.10	1.07	0.34	1.12	1.36	0.58	19/32"	1/8" - 3/16"
	1/4*	SS-43XS-D4D4	SS-43GXS4	0.187	2.40	1.20	1.17	0.44	1.53	1.47	0.78	25/32"	1/8" - 3/16"
	3/8*	SS-43XS-D6D6	SS-43GXS6	0.187	2.58	1.29	1.29	0.44	1.53	1.47	0.78	25/32"	1/8" - 3/8"
	3/8	SS-44X-D6D6	SS-44XS6	0.281	3.04	1.52	1.43	0.56	2.00	2.07	1.12	1-1/8"	1/8" - 3/16"
	1/2	SS-45X-D8D8	SS-45XS8	0.406	3.92	1.96	1.74	0.69	3.00	2.43	1.50	1-1/2"	1/8" - 3/8"
CS-Lok® Tube Fittings	1/8*	SS-41XS-S2S2	SS-41GXS2	0.093	2.02	1.01	0.97	0.34	1.12	1.36	0.58	19/32"	1/8" - 1/4"
	1/4*	SS-42XS-S4S4	SS-42GXS4	0.125	2.20	1.10	1.07	0.34	1.12	1.36	0.58	19/32"	1/8" - 1/4"
	1/4*	SS-43XS-S4S4	SS-43GXS4	0.187	2.40	1.20	1.17	0.44	1.53	1.47	0.78	25/32"	1/8" - 3/16"
	3/8*	SS-43XS-S6S6	SS-43GXS6	0.187	2.58	1.29	1.29	0.44	1.53	1.47	0.78	25/32"	1/8" - 3/16"
	3/8	SS-44X-S6S6	SS-44XS6	0.281	3.04	1.52	1.43	0.56	2.00	2.07	1.12	1-1/8"	1/8" - 3/8"
	1/2	SS-45X-S8S8	SS-45XS8	0.406	3.92	1.96	1.74	0.69	3.00	2.43	1.50	1-1/2"	1/8" - 3/8"
Female NPT	1/4*	SS-43XS-F4F4	SS-43GXF4	0.187	2.06	1.03	1.03	0.44	1.53	1.47	0.78	25/32"	1/8" - 3/16"
	3/8	SS-44X-F6F6	SS-44XF6	0.281	2.50	1.25	1.25	0.56	2.00	2.07	1.12	1-1/8"	1/8" - 3/8"
	1/2	SS-45X-F8F8	SS-45XF8	0.406	3.12	1.56	1.56	0.69	3.00	2.43	1.50	1-1/2"	1/8" - 3/8"

\* Spring Loaded

# 40 SERIES BALL VALVES

## Features

- Latchable/lockable in both the open and closed stem positions
- All metal construction including handle shroud
- Supports compliance with lockout/tagout programs
- Fits padlocks with 3/16" to 1/4" shackle diameters
- Currently available in the 43 and 45 Series Straight and X Pattern Valves
- LatchLok handle comes in the standard blue color. Also available in black (BK) and red (RD)

To order: Add **-LL** after 40 Series part number.  
For example: **SS-43S-D8D8-LL(-COLOR)**

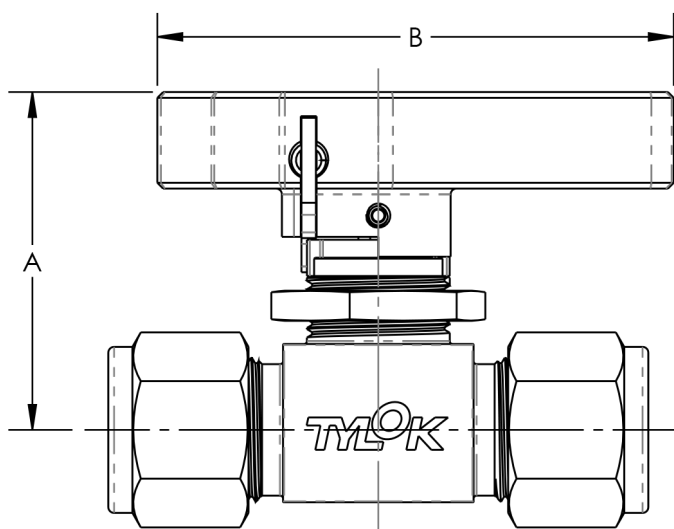
**CAUTION:** These handles are designed to prevent unintentional operation. They are not tamper proof and can be removed even when locked.



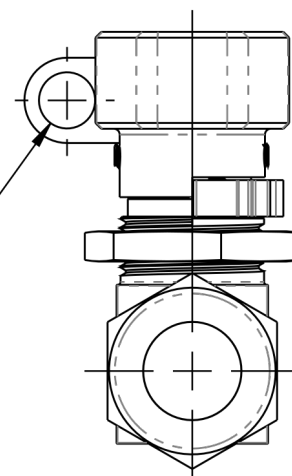
# 40 SERIES BALL VALVES

Part Number	Dimensions	
	A	B
43 SERIES	1.75	2.68
45 SERIES	2.68	4.75

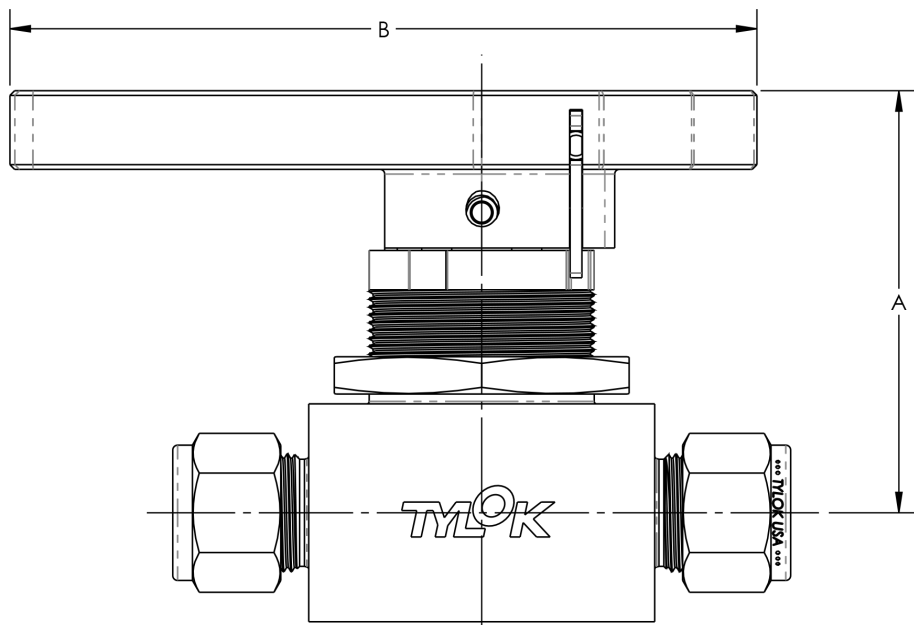
Component	Material
Handle	Anodized Aluminum
Locking Plate	304 Stainless
Lock Tab	300 Series Stainless
Spring	302 Stainless
Set Screw	Alloy or Stainless



FOR USE WITH  
3/16" to 1/4"  
LOCK SHACKLE



40 Series



FOR USE WITH  
3/16" to 1/4"  
LOCK SHACKLE

