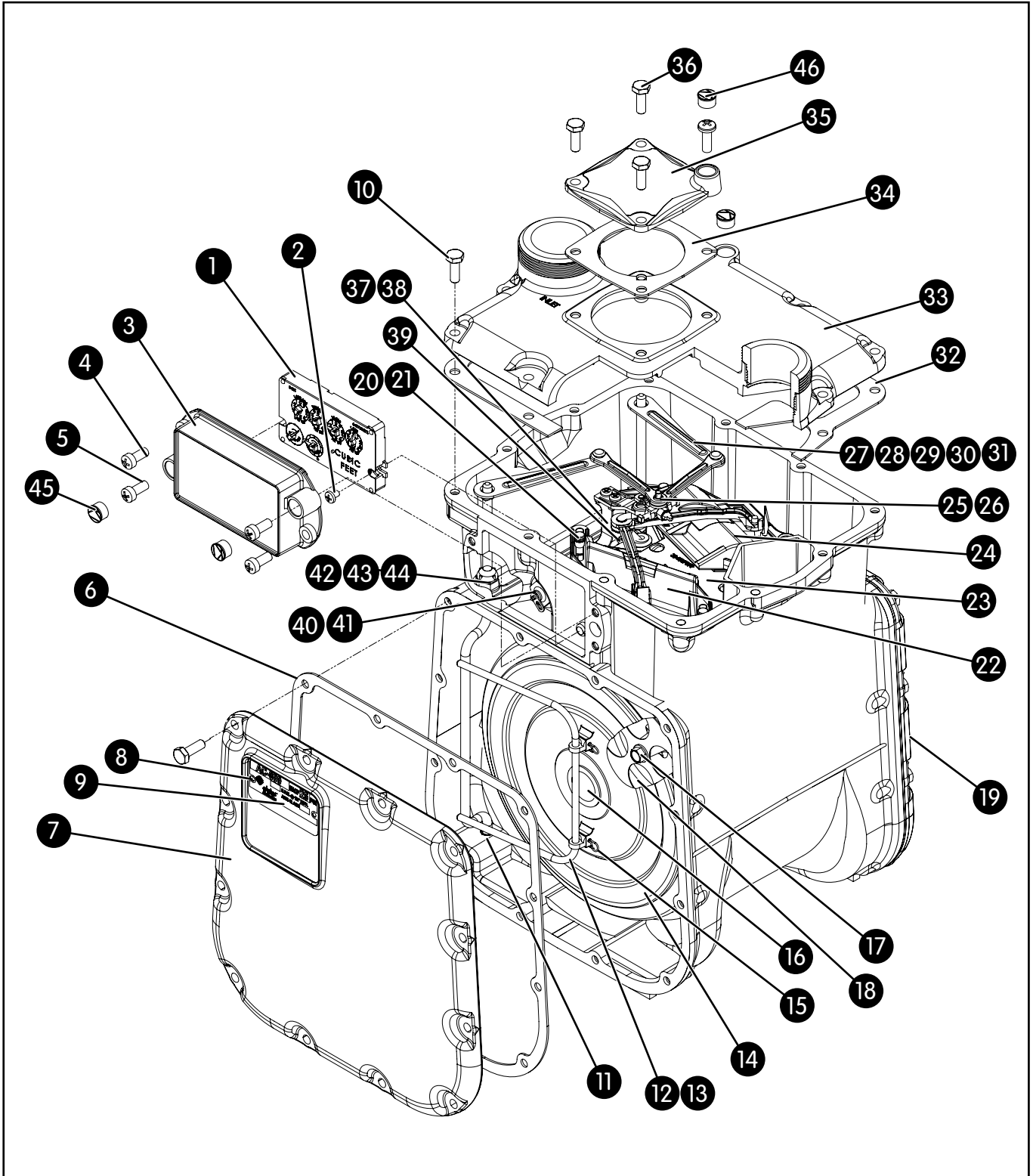


# AC-800 Diaphragm Meter

## Parts List



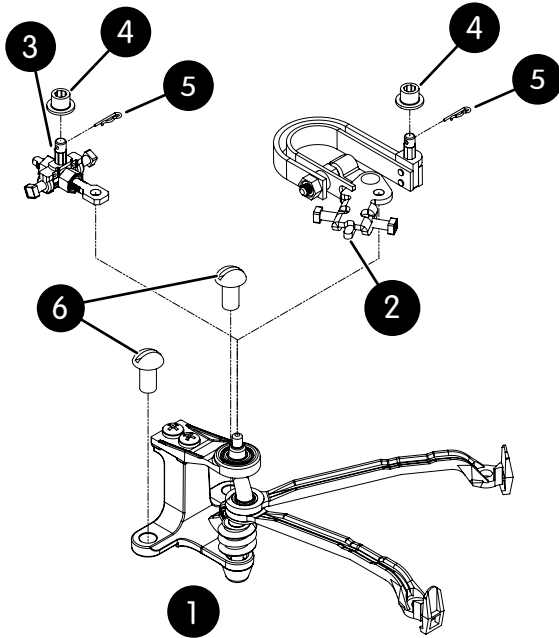
# AC-800 Diaphragm Meter Major Component Group



Description	Qty.	Part Number
1 2' - P.T. REG Index – 4 CIR	1	04972G072
2' - P.T. REG Index – 5 CIR	1	04972G129
2' - P.T. TC Index – 4 CIR	1	04972G039
2' - P.T. TC Index – 5 CIR	1	04972G130
2' - PC 2# 14.73 ATM 4 CIR 14.91 BP	1	04972G116
2' - PC 5# 14.73 ATM 4 CIR 14.91 BP	1	04972G117
2' - PC 2# 14.73ATM 4CIR 14.73BP	1	04972G118
2' - PC 5# 14.73ATM 4CIR 14.73BP	1	04972G119
2' - PC 5# 14.40ATM 4CIR 14.73BP	1	04972G120
2' - PC 10# 14.4ATM 4CIR 14.73BP	1	04972G121
2' - PC 2# 14.40ATM 4CIR 14.65BP	1	04972G122
2' - PC 2# 14.55ATM 4CIR 14.73BP	1	04972G124
2' - PC 5# 14.40ATM 4CIR 14.65BP	1	04972G127
2' - PC 2# 14.40ATM 4CIR 14.73BP	1	52180G067
2' - OD TC Index 5 W. X 10	1	52347G002
2' - OD REG Index 5 W. X 100	1	52347G003
2' - OD TC Index 5 W. X 100	1	52347G004
2' - OD REG Index 5 W. X 10	1	52347G005
2' - OD REG Index 4 W. X 100	1	54885G006
2' - OD TC Index 4 W. X 100	1	54885G007
2' - OD REG Index 4 W. X 100, Top reading, no hash mark	1	54885G014
2' - OD REG Index 4 W. X 100, Top reading	1	54880G015
.05m - OD Reg Index 5 W	1	52142G010
.05m - OD TC Index 5 W	1	52142G011
.05m - OD Reg Index 6 W	1	52142G013
.05m - OD TC Index 6 W	1	52142G030
.05m - OD REG Index 5 W	1	52142G014
.05m - OD REG Index 5 W (Preset)	1	52142J014
0.05M (EEC)	1	52512G005
2 Screw, index 8-32, 3/16	2	43393P092
3 Non-vented	1	39865G051
Vented	1	39865G052
Vented, U/V coated	1	39865G053
With vented screen	1	39865G022
Non-Vented, top reading	1	39865G084
Bottom vented only, top reading	1	39865G086
4 Screw, index box, fil hd w/seal wire	1	10347P143
5 Screw, index box, combo hd w/ security cap	4	10347P174
Screw, index box, combo hd w/ seal wire	3	10347P174
6 Front / back cover gasket	2	44276P002
7 Cover, front	1	44304A001
8 Rivet, badge	A/R	94434P017
9 Badge, MFGR; standard 25 psi	1	49040G368
Badge, MFGR; TC 25 psi	1	49040G369
Badge, MFGR; standard, 170 kPa	1	49040G370
Badge, MFGR; TC, 170 kPa	1	49040G371
10 Screw, tops, covers, hex hd	37	16423P023
Screw, tops, covers, combo head	3	10347P175
11 Bearing, lower flag rod		

Description	Qty.	Part Number
12 Rod, front flag – assembly		
13 Rod, back flag – assembly		
14 Diaphragm, universal front and back		
15 Pin, cotter; diaphragm bracket		
16 Grommet, diaphragm disc		
17 Screw, Whiz - Lock; diaphragm - 1/4 - 20 x 0.375		
18 Gasket, Diaphragm clamp		
19 Cover, back	1	44269A001
20 Guide, valve	4	43796P004
21 Pin, valve guide	4	12539P003
22 Valve, Front	1	28873P048
23 Screw, valve seat; Fil Hd - 1/4" - 20 x 0.38"		
24 Valve, back	1	28873P047
25 Sleeve, tangent	1	50993P002
26 Pin, cotter; tangent	1	11186P036
27 Arm, flag assembly (includes 28-31)	2	17550G062
28 Sleeve, flag-arm		
29 Rivet		
30 Arm, short flag		
31 Arm, long flag		
32 Gasket, top	1	44275P002
33 1" - 20 LT 8.25" C-C	1	44272A009
1-1/4" - 30 LT, 8.25" C-C	1	44272A018
1-1/2" - 45 LT, 8.25" C-C	1	44272A007
#3-4 Sprague, 8.25" C-C	1	44272A011
1.25" British Standard Top (BSP)	1	44272A049
1 1/2" - 45 LT with pressure tap	1	44272A037
1" - 20LT (inserts not painted)	1	44272A009
34 Gasket, hand hole cover	1	44320P012
35 Cover, hand hole	1	46583A019
36 Screw, top; hex hd w/ seal wire	1	16423P024
37 Screw, crank frame; rd. hd. 1/4" - 20 x 0.5"	2	13519P005
38 Crank and tangent assembly	1	See page 4
39 Axle and wheel, 2 FT^3	1	44661P025
Axle and wheel, 0.05 m^3	1	44661P026
40 Box, axle – assembly 2 FT^3 includes item #41	1	42986G027
Box, axle – assembly 0.05 m^3 includes item #41	1	42986G028
41 Seal, axle box		
42 Flag box assembly (includes 43 and 44)	1	55854G002
43 Seal, flag box		
44 Box, flag		
45 Seal, security index box	2	52548P010
Seal, security top and hand hole cover	A/R	52548P010
46 Screw, hand hole; combo hd. w/ security seal	1	10347P175
Screw, hand hole; hex hd. w/ security seal	3	16423P023
Screw, hand hole; combo hd. w/ seal wire	1	10347P175
Screw, hand hole; hex hd. w/ seal wire	2	16423P023
Screw, hand hole; hex hd. drilled w/ seal wire	1	16423P024

# AC-800 Diaphragm Meter Crank, Crank Frame and Tangent Assemblies



	Description	Qty.	Part Number
1	Crank and tangent assembly 2 FT <sup>3</sup> reg tangent (Includes #3 through 6)	1	25276K180
	Crank and tangent assembly 2 FT <sup>3</sup> TC tangent (Includes #2, 4, 5, and 6)	1	25276K179
	Crank and tangent assembly, 0.05 m <sup>3</sup> reg tangent (Includes #3 through 6)	1	25276K178
	Crank and tangent assembly 0.05 m <sup>3</sup> TC tangent (Includes #2, 4, 5, and 6)	1	25276K177
2	Tangent, temperature compensating assembly		
3	Tangent, regular assembly		
4	Sleeve, tangent		
5	Pin, cover; tangent		
6	Screw, crank frame; rd. hd. 1/4" -20 x0.5"		

## About Elster Gas

Elster Gas is a world leader in gas measurement and gas safety control equipment, supplying a global base in more than 110 countries. With one of the most extensive utility measurement bases in the world and more than 75 million gas metering devices deployed over the last 10 years alone, Elster's products enable customers to efficiently measure, manage, and control natural gas resources across the complete value chain.



SAI GLOBAL  
ISO 14001  
Environmental



SAI GLOBAL  
OHSAS 18001  
Health & Safety



SAI GLOBAL  
ISO 9001  
Quality

Elster American Meter Company, LLC  
2221 Industrial Road  
Nebraska City, NE 68410  
USA

T +1 402 873 8200  
F +1 402 873 7616

[www.elster-americanmeter.com](http://www.elster-americanmeter.com)

© 2015 by Elster. All rights reserved. Information contained herein is subject to change without notice. Contact your Elster representative for the most current product information.

Elster and Elster Logo are trademarks of Elster American Meter Company LLC.

EAM-PL3001-EN-P - 07/15