

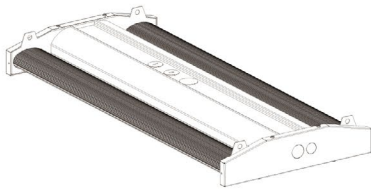
NOTE: Components shown in images are representative only and may vary based on the configuration ordered.

CAUTION: Read all instructions before starting installation.

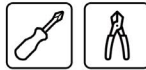
- This product must be installed in accordance with the applicable installation codes by a qualified electrician familiar with the construction and operation of the product and the hazards involved.
- Disconnect power at circuit breaker or fuse before starting installation.
- To avoid injury, wear gloves during installation.
- Line voltage must match fixture voltage requirement.
- To reduce the risk of electrical shock and product damage, do not install this luminaire during rain or other storms.
- Do not test luminaire using an electric generator before installation.
- Use minimum 90°C Supply Wires.

KEEP THESE INSTRUCTIONS

TOOLS NEEDED



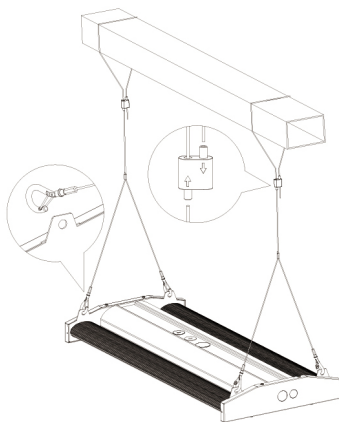
This LED high bay requires very few tools for installation. A screwdriver and a pair of wirecutters will help to install the lens and brackets.



HANGING INSTALLATION (STANDARD)

STEP 1

Hook the aircraft cable hook onto each of the four corners of the fixture.



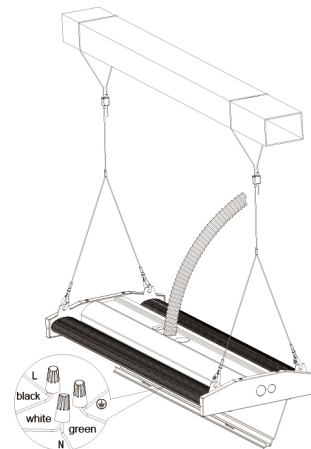
Aircraft accessories:
LHVQM5
LHVQM10

STEP 2

Remove KO for conduit entry.

STEP 3

From below, open driver cover door. Make wiring connections and snap the driver cover door shut.



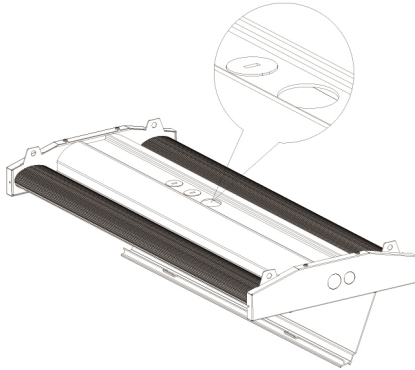
CLB

LINEAR HIGH BAY

3/4" PENDANT MOUNT

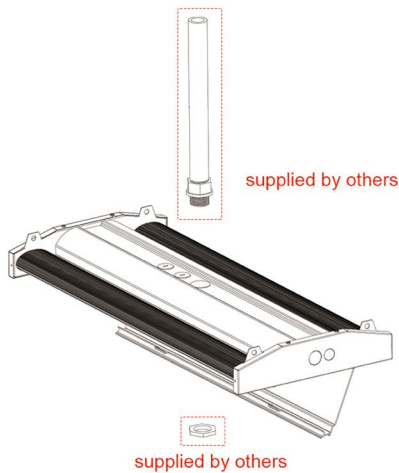
STEP 1

Remove the 3/4" knockout available on the back of middle junction box.



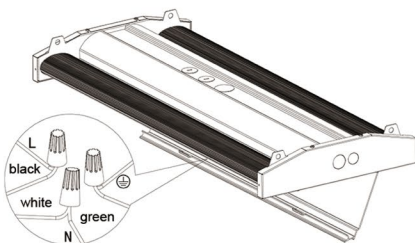
STEP 2

Secure the 3/4" Rigid Conduit (provided by others) into the middle junction box.



STEP 3

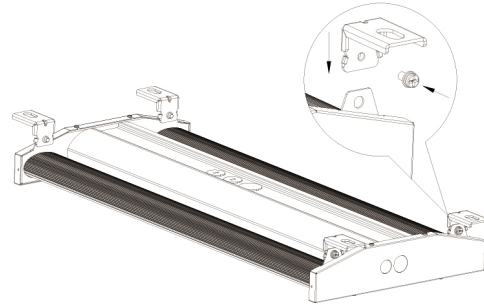
From below, open driver cover to make wiring connections and snap back into place.



SURFACE MOUNT

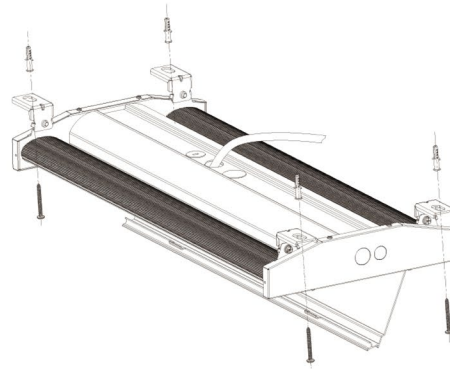
STEP 1

Screw the brackets from the CLB-SMK accessory onto the four corner holes with M5 screws.



STEP 2

Install the fixture with brackets onto the mounting surface with 4pcs M4 screws and expanded rubber stoppers.



STEP 3

Make wiring connections and snap driver cover shut.

