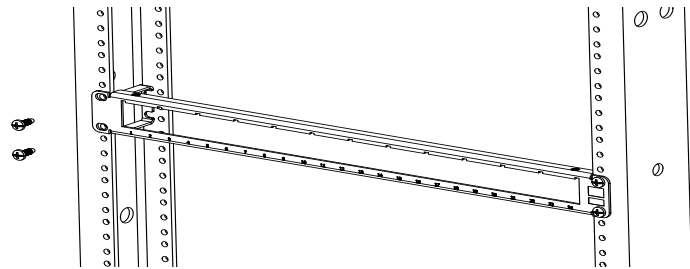




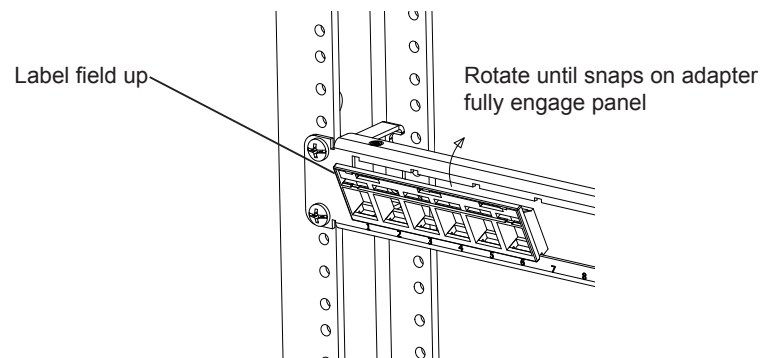
**1 Mounting Panel To Rack**

Using the supplied mounting screws and washers, mount the patch panel to the desired position on a 19" relay rack.



**2 Adapter Mounting**

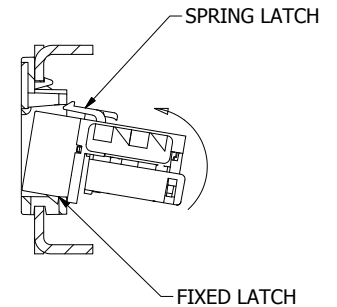
Place the 6 port adapter housing onto the panel opening edge with the label field on top. Rotate the adapter into the panel until the snaps engage the metal.



Note: Adapter housings can be installed with or without terminated connectors installed in them.

**3 Jack Termination & Assembly to Panel**

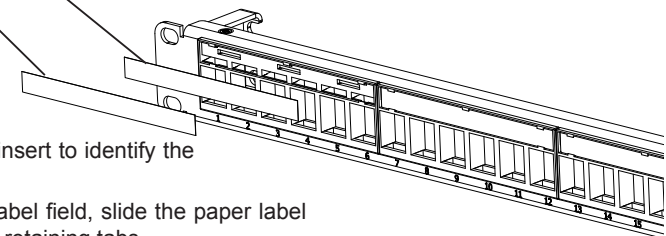
1. Terminate individual jack, snapfits and modules utilizing instruction sheets supplied with those parts.
2. Insert all terminated jack, snapfits or modules into unloaded panel adapter housing as shown.



**4 Labeling**

Optional laser printable label bulk pack available.  
P/N: HPJLBL4800

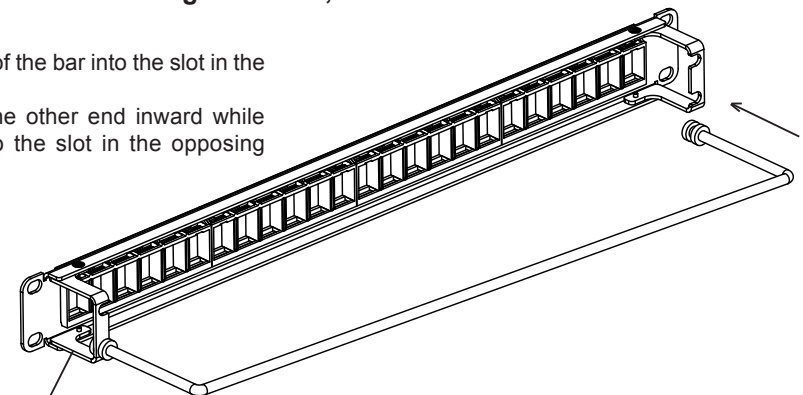
Paper label insert  
Clear label cover



1. Use the provided paper label insert to identify the ports on the panel.
2. Starting from one end of the label field, slide the paper label insert into label field under the retaining tabs.
3. Slide the clear label cover over paper label.

**5 Optional Cable Management Bar, P/N HPRCMB**

1. Install one end of the bar into the slot in the bracket.
2. Slightly bend the other end inward while engaging it into the slot in the opposing bracket.



Cable Manager Bracket