



ST Adapter Dust Cap

Product Features

- Used to protect fiber connectors from contaminants such as dust and dirt
- Flexible and durable
- Can be used with ST connectors
- Rugged plastic construction ensures durability

Applications:

- FTTX
- Fiber connector protection
- Data center
- LAN
- Security



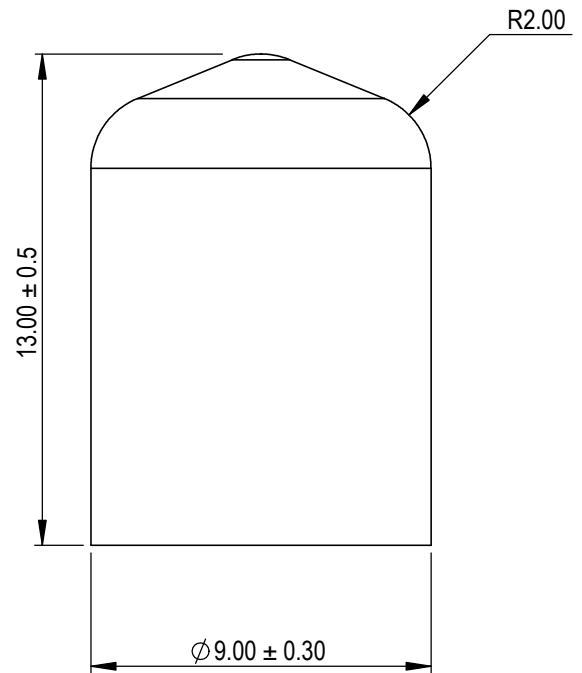
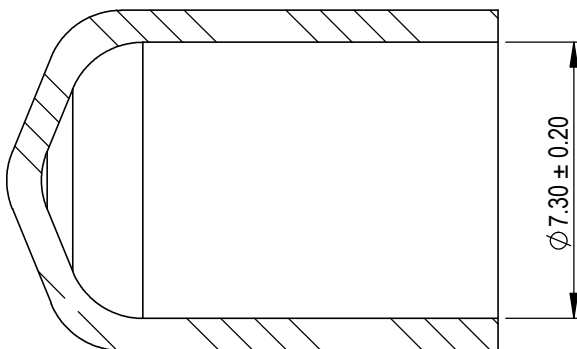
Part Number: STAD-1000-RED

Precision Fiber Products provides ST Adapter Dust Cap for the best protection of your connectors. These caps protect the fiber from all types of contaminants that can cause permanent damage to the fiber connector, coupling loss or an unwanted structure in the output light.

The ST adapter dust cap is practical, effective and ensures quality performance by preventing dirt.

Mechanical Specifications

Connection Type	ST
Material	Rubber Red
Color	Red



Rev. 01
Initial Release: RP



We meet or exceed customer expectations in product quality and on time delivery

